

## Sensor/actuator cable - SAC-3P- 5,0-542/ FR SCO BK - 1406326


Please be informed that the data shown in this PDF Document is generated from our Online Catalog. Please find the complete data in the user's documentation. Our General Terms of Use for Downloads are valid (<http://phoenixcontact.com/download>)



Sensor/actuator cable, 3-position, PVC, yellow, free cable end, on Socket angled M12 SPEEDCON, A-coded, cable length: 5 m



### Key Commercial Data

|                        |   |
|------------------------|---|
| Packing unit           | 1 pc  |
| Minimum order quantity | 50 pc   |
| GTIN                   | <br>4 046356 797276 |
| GTIN                   | 4046356797276   |

### Technical data

#### Dimensions

|                 |     |
|-----------------|-----|
| Length of cable | 5 m |
|-----------------|-----|

#### Ambient conditions

|                                 |                                  |
|---------------------------------|----------------------------------|
| Ambient temperature (operation) | -25 °C ... 90 °C (Plug / socket) |
| Degree of protection            | IP65/IP67/IP68                   |

#### General

|                              |                               |
|------------------------------|-------------------------------|
| Rated current at 40°C        | 4 A                           |
| Rated voltage                | 250 V AC<br>250 V DC          |
| Number of positions          | 3                             |
| Color handle area            | black                         |
| Insulation resistance        | ≥ 100 MΩ                      |
| Coding                       | A - standard                  |
| Standards/regulations        | M12 connector IEC 61076-2-101 |
| Status display               | No                            |
| Protective circuit/component | unwired                       |
| Overvoltage category         | II                            |

# Sensor/actuator cable - SAC-3P- 5,0-542/ FR SCO BK - 1406326

## Technical data

### General

|                             |                        |
|-----------------------------|------------------------|
| Degree of pollution         | 3                      |
| Insertion/withdrawal cycles | ≥ 100                  |
| Torque                      | 0.4 Nm (M12 connector) |

### Material

|  |   |
|--|---|
| Flammability rating according to UL 94 | HB  |
| Contact material                       | CuSn  |
| Contact surface material               | Ni/Au                                       |
| Contact carrier material               | TPU GF                                      |
| Material of grip body                  | TPU, hardly inflammable, self-extinguishing |
| Material, knurls                       | Zinc die-cast, nickel-plated                |
| Sealing material                       | NBR   |

### Standards and Regulations

|  |                 |
|--|-----------------|
| Standard designation                   | M12 connector   |
| Standards/regulations                  | IEC 61076-2-101 |
| Flammability rating according to UL 94 | HB              |

### Cable

|   |   |
|---|---|
| Cable type                                    | PVC yellow 105 °C                               |
| Cable type (abbreviation)                     | 542   |
| UL AWM style                                  | 2517 (105 °C / 300 V)                           |
| AWG signal line                               | 22  |
| Conductor structure signal line               | 30x 1.30 mm                                     |
| Core diameter including insulation            | 1.27 mm ±0.03 mm                                |
| Wire colors                                   | brown, blue, black                              |
| Overall twist                                 | 3 wires, twisted                                |
| External sheath, color                        | yellow  |
| External cable diameter D                     | 4.7 mm ±0.2 mm                                  |
| Minimum bending radius, flexible installation | 8 x D   |
| Cable weight                                  | 30 kg/km  |
| Outer sheath, material                        | PVC   |
| Material conductor insulation                 | PVC   |
| Conductor material                            | Tin-plated Cu litz wires                        |
| Insulation resistance                         | ≥ (550 M Ohms/m @ 500V)                         |
| Conductor resistance                          | max. 50.5 Ω/km (20 °C)                          |
| Nominal voltage, cable                        | 300 V   |
| Special properties                            | UL standards PLTC and ITC                       |
| Flame resistance                              | FT4   |
| Other resistance                              | UV resistant                                    |
| Ambient temperature (operation)               | -30 °C ... 105 °C (cable, fixed installation)   |
|   | -5 °C ... 105 °C (cable, flexible installation) |

# Sensor/actuator cable - SAC-3P- 5,0-542/ FR SCO BK - 1406326

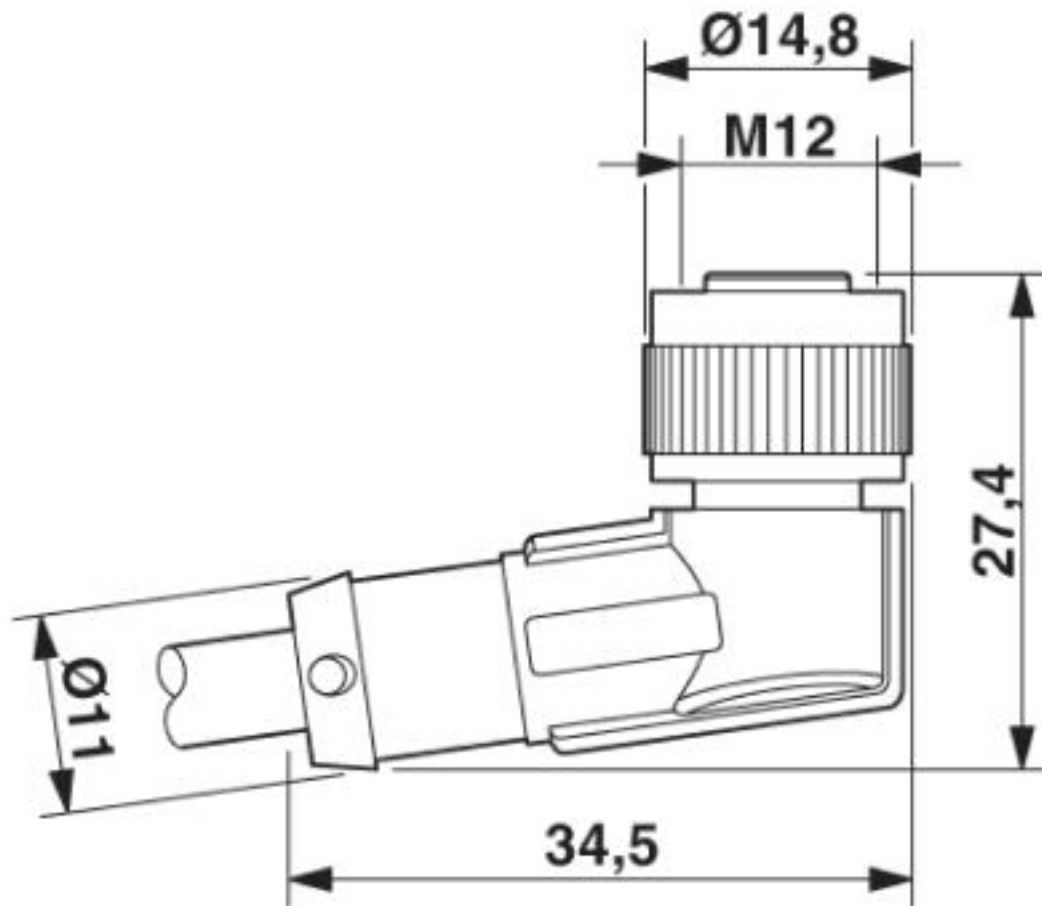
## Technical data

### Environmental Product Compliance

|            |   |
|------------|---|
| China RoHS | Environmentally friendly use period: unlimited = EFUP-e |
|            | No hazardous substances above threshold values          |

## Drawings

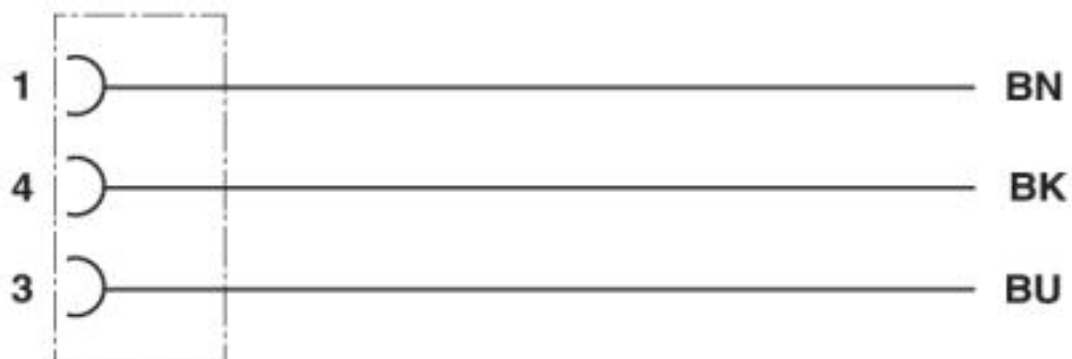
Dimensional drawing



M12 x 1 socket, angled

## Sensor/actuator cable - SAC-3P- 5,0-542/ FR SCO BK - 1406326

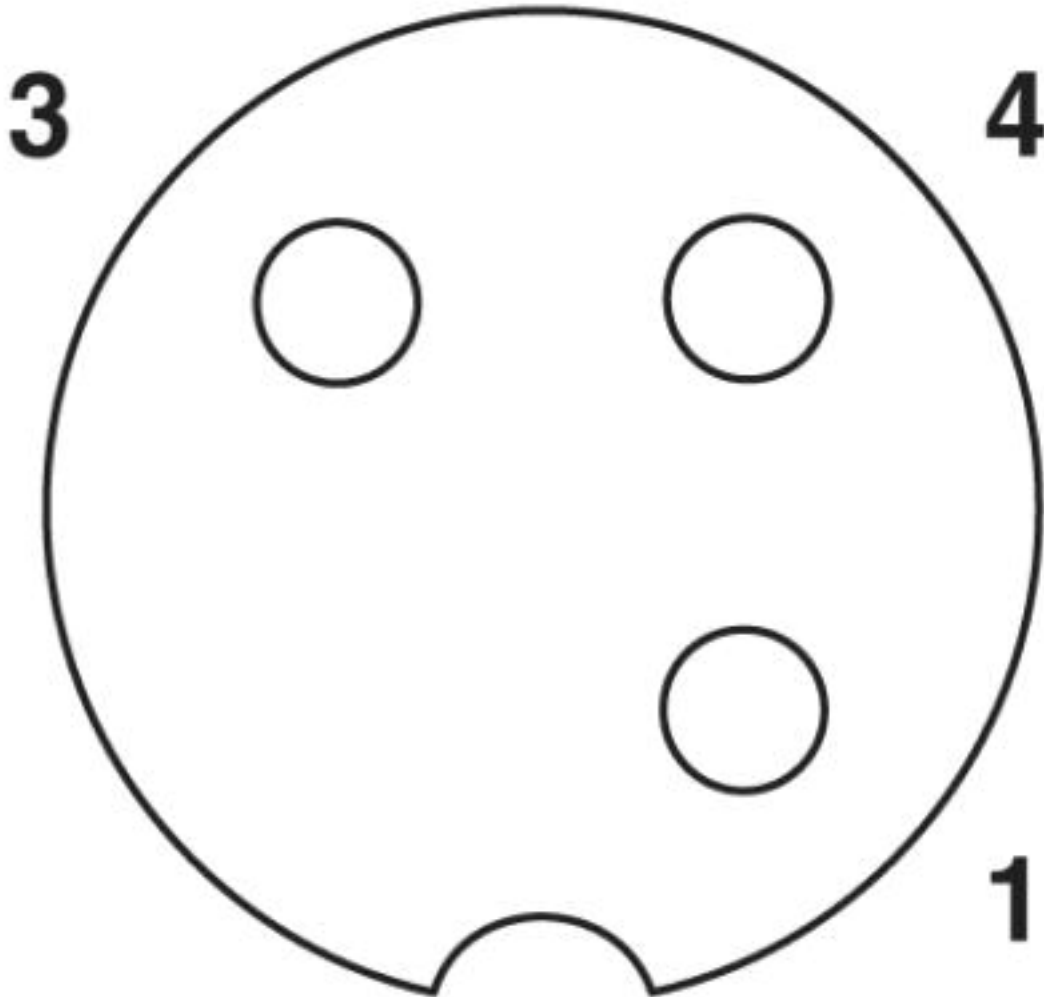
Circuit diagram



Contact assignment of the M12 socket

# Sensor/actuator cable - SAC-3P- 5,0-542/ FR SCO BK - 1406326

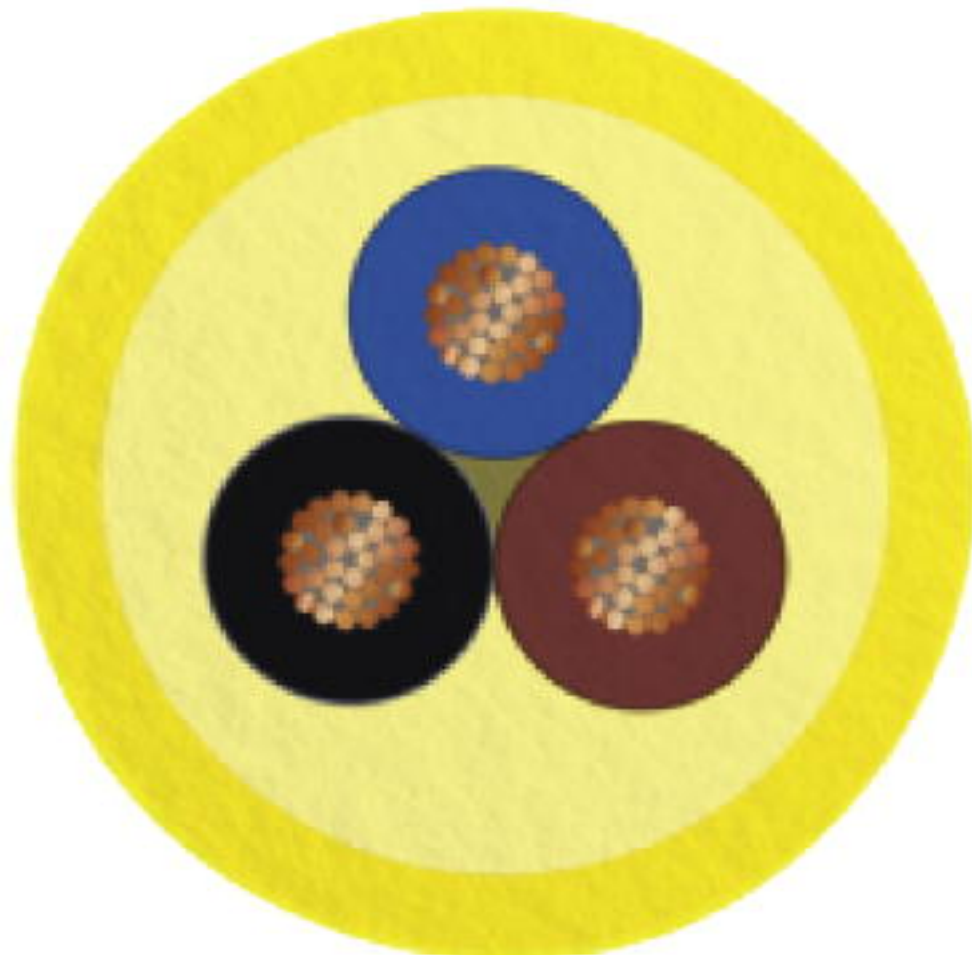
Schematic diagram



Pin assignment M12 socket, 3-pos., A-coded, view female side

# Sensor/actuator cable - SAC-3P- 5,0-542/ FR SCO BK - 1406326

Cable cross section



PVC yellow 105 °C [542]

## Approvals

Approvals

---

Approvals

UL Listed / cUL Listed / EAC / cULus Listed

---

Ex Approvals

---

Approval details

# Sensor/actuator cable - SAC-3P- 5,0-542/ FR SCO BK - 1406326

## Approvals

|                    |  |   |               |
|--------------------|--|---|---------------|
| UL Listed          |  | <a href="http://database.ul.com/cgi-bin/XYV/template/LISEXT/1FRAME/index.htm">http://database.ul.com/cgi-bin/XYV/template/LISEXT/1FRAME/index.htm</a> | FILE E 221474 |
|                    |  |   |               |
| Nominal voltage UN |  | 300 V   |               |
| Nominal current IN |  | 4 A   |               |

|                    |  |   |               |
|--------------------|--|---|---------------|
| cUL Listed         |  | <a href="http://database.ul.com/cgi-bin/XYV/template/LISEXT/1FRAME/index.htm">http://database.ul.com/cgi-bin/XYV/template/LISEXT/1FRAME/index.htm</a> | FILE E 221474 |
|                    |  |   |               |
| Nominal voltage UN |  | 300 V   |               |
| Nominal current IN |  | 4 A   |               |

|     |  |                          |
|-----|--|--------------------------|
| EAC |  | RU C-<br>DE.BL08.B.00286 |
|-----|--|--------------------------|

|              |  |
|--------------|--|
| cULus Listed |  |
|--------------|--|

Phoenix Contact 2019 © - all rights reserved  
<http://www.phoenixcontact.com>

PHOENIX CONTACT GmbH & Co. KG  
Flachsmarktstr. 8  
32825 Blomberg  
Germany  
Tel. +49 5235 300  
Fax +49 5235 3 41200  
<http://www.phoenixcontact.com>