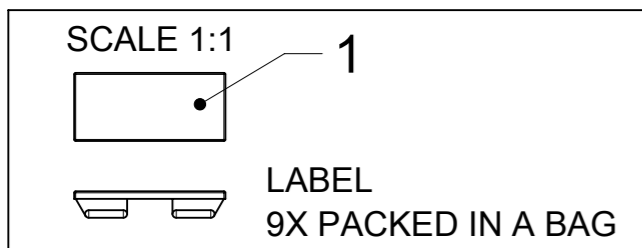


TABLE 1

MOLEX P/N	ENG. NO.	CABLE LENGTH (mm)	LED
1202510028	BKB8050-FBW-05	5000	NO
1202510029	BKB8050-FBW-10	10000	NO
1202510030	BKB8050-FBW-15	15000	NO
1202510031	BKB805P-FBW-05	5000	YES
1202510032	BKB805P-FBW-10	10000	YES
1202510033	BKB805P-FBW-15	15000	YES
1202510034	BKB805N-FBW-05	5000	YES
1202510035	BKB805N-FBW-10	10000	YES
1202510036	BKB805N-FBW-15	15000	YES

TABLE 2

ITEM	DESCRIPTION	MATERIAL	FINISH
1	LABEL	ABS	WHITE
2	CABLE PLATE	PBT	BLACK
3	CABLE	TPU BASED	BLACK
4	CONTACT	BRONZE	GOLD OVER NICKEL
5	O-RING	FPM	RED
6	LED	NON LED = PBT	BLACK
		WITH LED = PA	TRANSPARENT
7	SHELL	BRASS	NICKEL PLATED
8	HOUSING	PBT	BLACK



GENERAL CHARACTERISTICS:

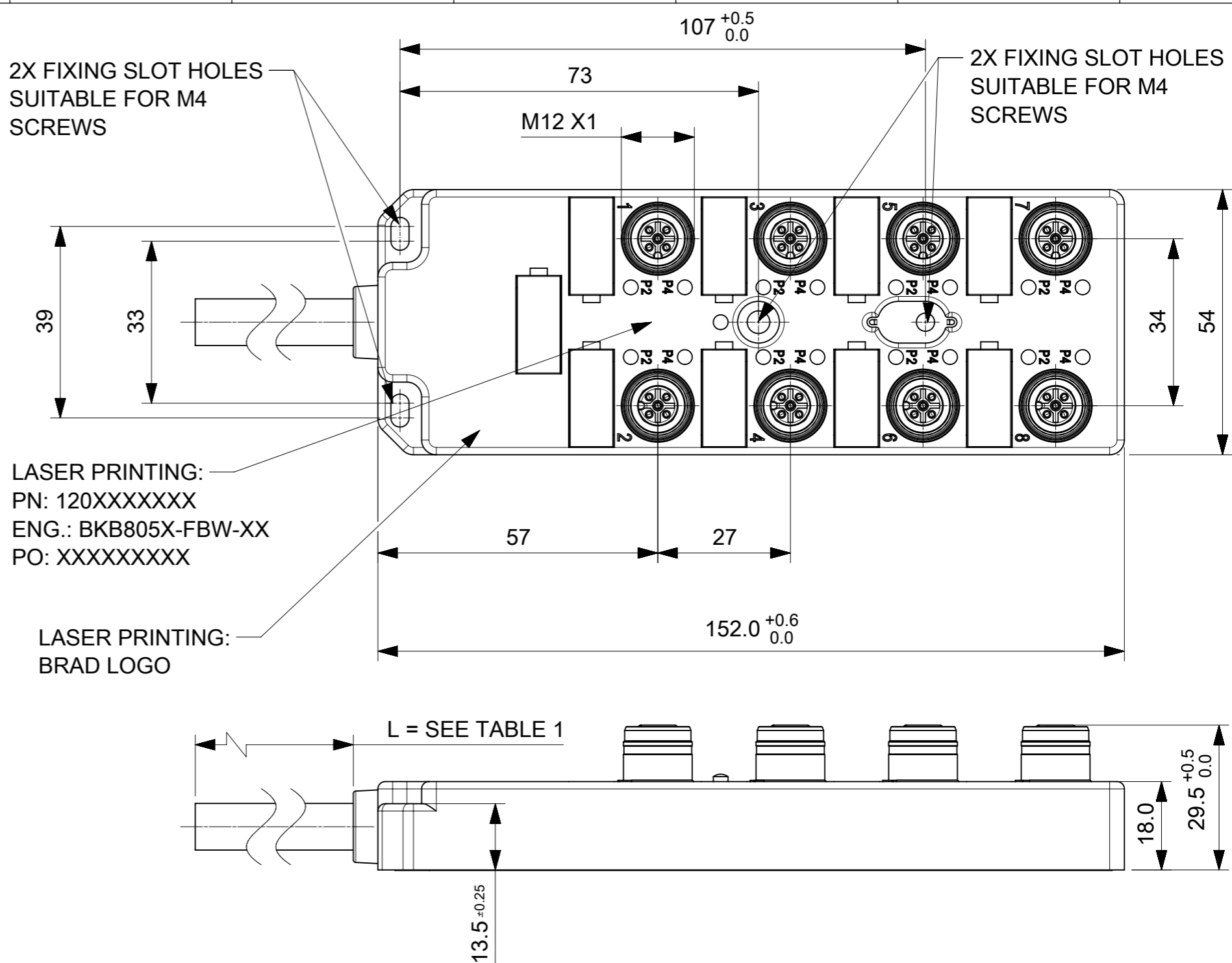
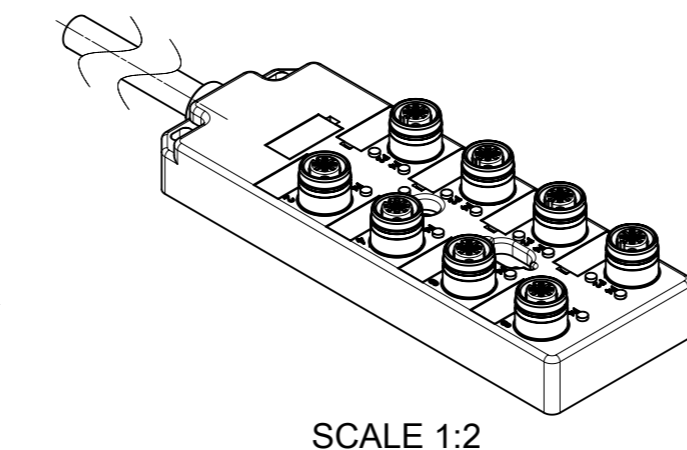
ELECTRICAL AND MECHANICAL DATA ACC. TO IEC 61076-2-101

NOMINAL VOLTAGE: 10-30 V DC
 AMPERE RATING: 4 A PER PORT / 12 A MAX
 AMPERE RATING WITH UL REGISTRATION: 3 A PER PORT / 9 A MAX
 IP DEGREE OF PROTECTION: IP 67
 TEMPERATURE RANGE: -25°C to + 85°C

2X FIXING SLOT HOLES
SUITABLE FOR M4
SCREWS

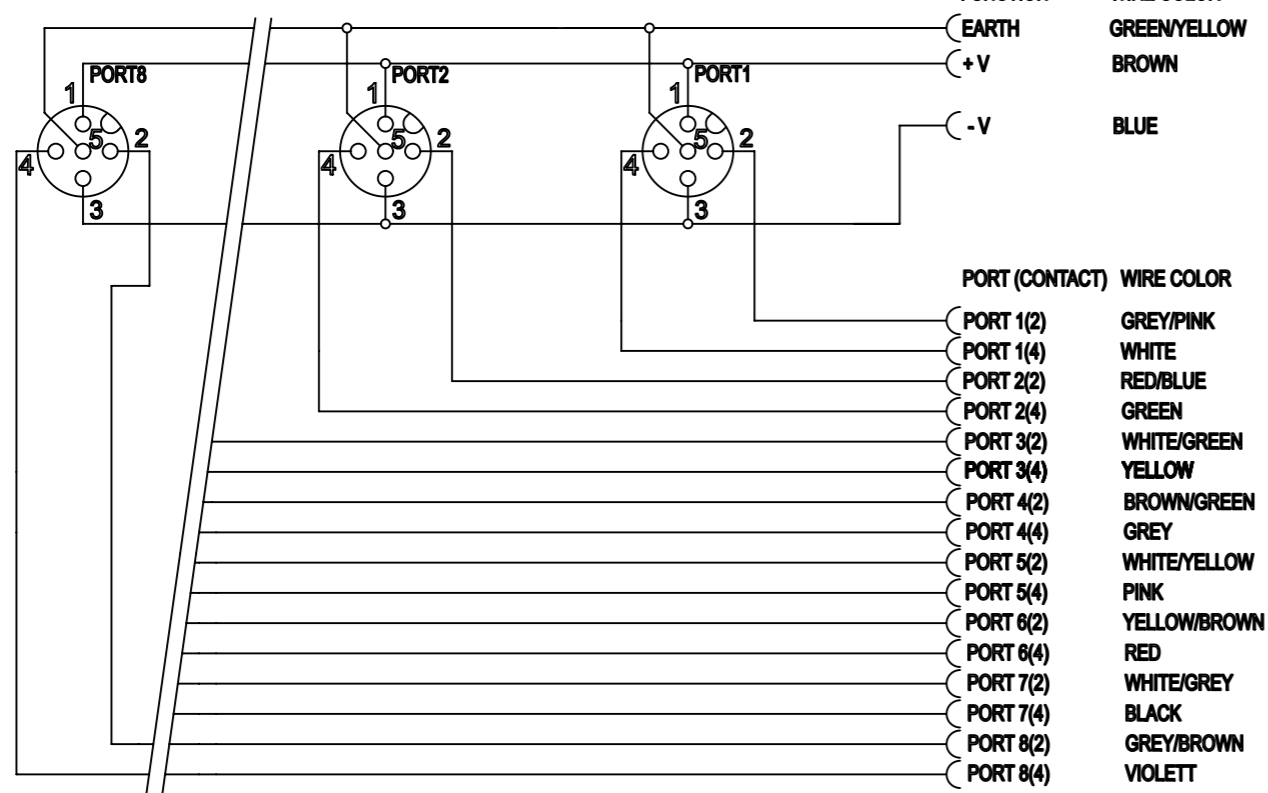
LASER PRINTING:
PN: 120XXXXXXX
ENG.: BKB805X-FBW-XX
PO: XXXXXXXXXX

LASER PRINTING:
BRAD LOGO

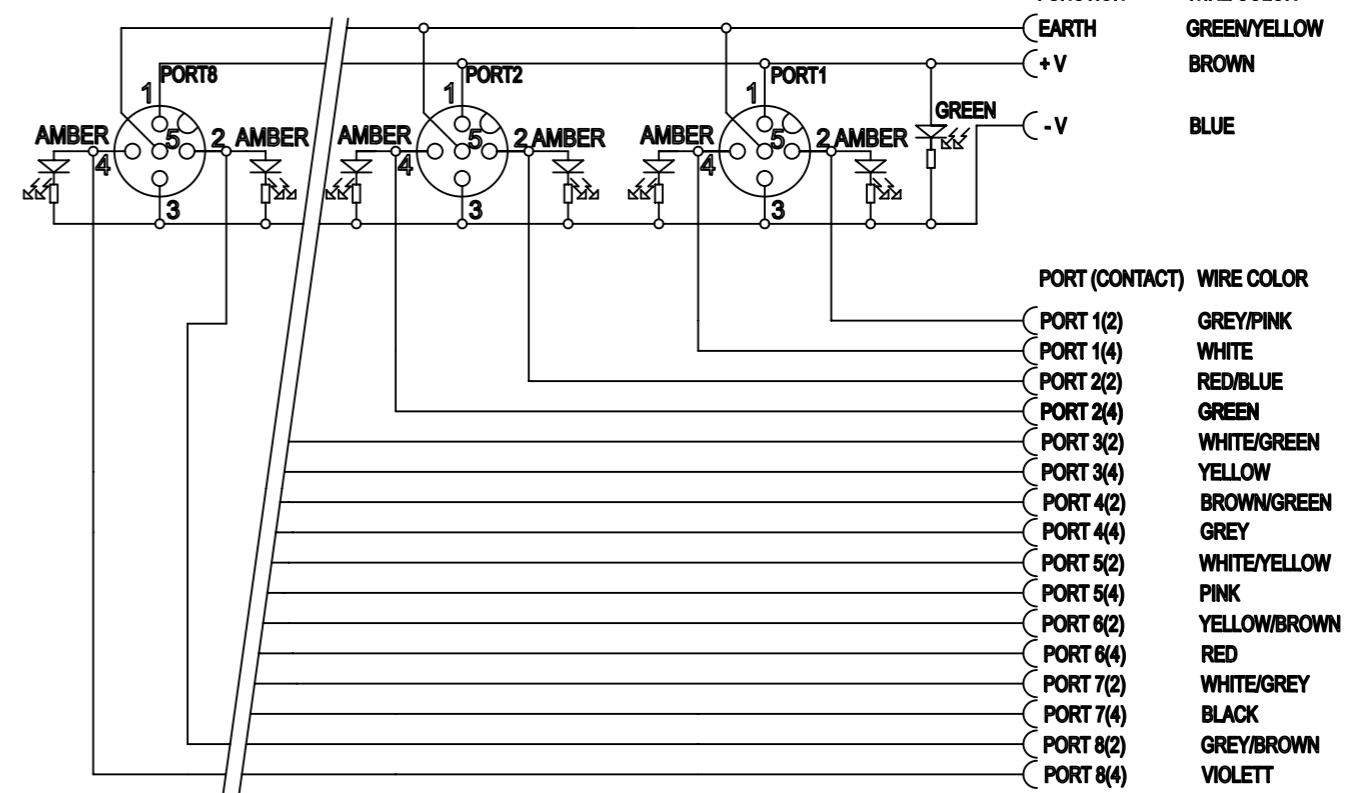


SYMBOLS		THIS DRAWING CONTAINS INFORMATION THAT IS PROPRIETARY TO MOLEX ELECTRONIC TECHNOLOGIES, LLC AND SHOULD NOT BE USED WITHOUT WRITTEN PERMISSION	
DIMENSION UNITS	SCALE	CURRENT REV DESC:	
mm	1:1	EC NO: 631635 DRWN: MDHARMANTI 2020/01/27 CHK'D: RSILLER 2020/02/05 APPR: RSILLER 2020/02/05 INITIAL REVISION: DRWN: ULETTENMEIER 2018/07/26 APPR: RSILLER 2020/01/17	
GENERAL TOLERANCES (UNLESS SPECIFIED)			
ANGULAR TOL	± °		
4 PLACES	±		
3 PLACES	±	PRODUCT CUSTOMER DRAWING DOCUMENT NUMBER: 1202510028 DOC TYPE: PSD DOC PART: 000 REVISION: A1	
2 PLACES	±		
1 PLACE	±		
0 PLACES	± 0.25	MATERIAL NUMBER: SEE TABLE 1 CUSTOMER: GENERAL MARKET SHEET NUMBER: 1 OF 2	
DRAFT WHERE APPLICABLE MUST REMAIN WITHIN DIMENSIONS		THIRD ANGLE PROJECTION	DRAWING: A3-SIZE

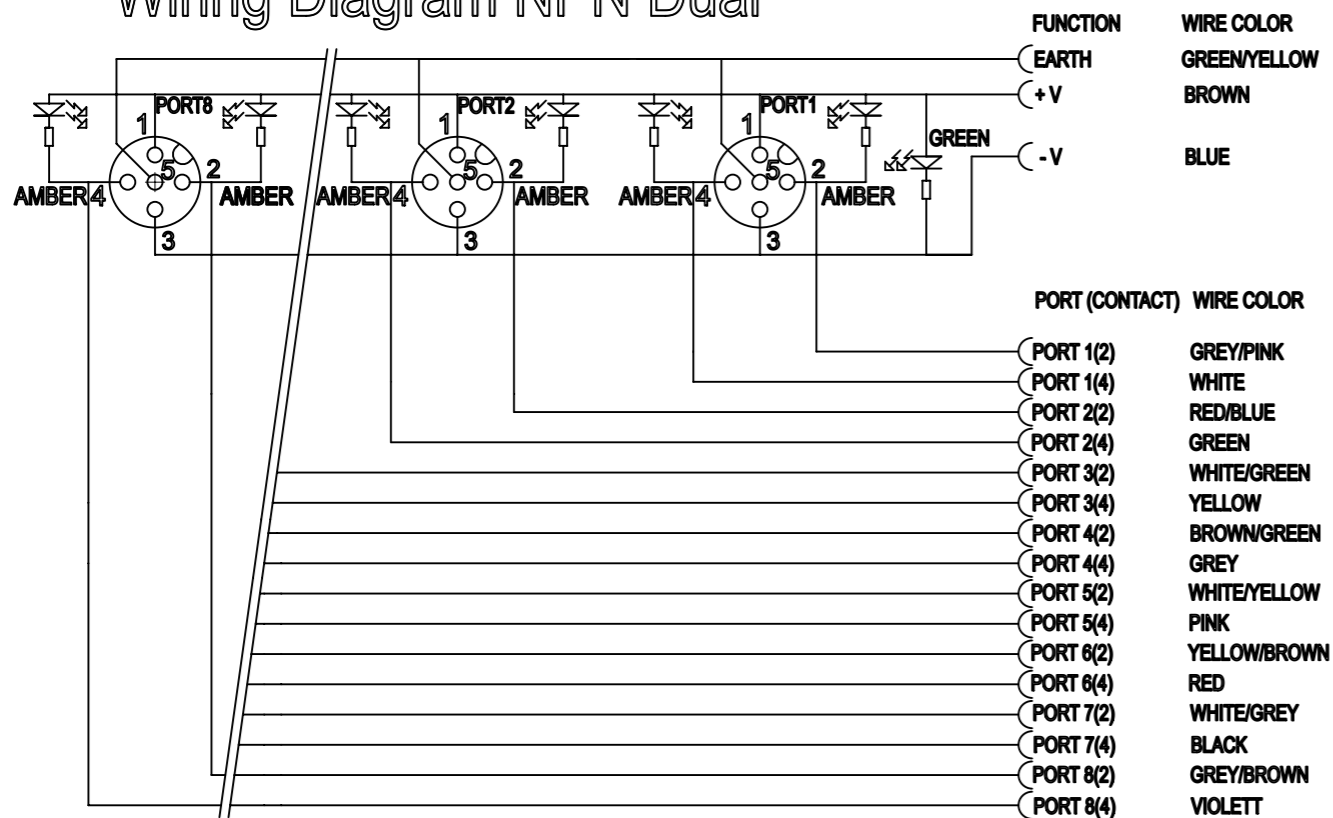
Wiring Diagram NON LED Dual



Wiring Diagram PNP Dual



Wiring Diagram NPN Dual



CABLE LENGTH TOLERANCES

LENGTH [m]	TOLERANCE [mm]
0-1	+40
>1-5	+60
>5-10	+80
>10-20	+140
>20-30	+160
>30	+1% length

SYMBOLS	THIS DRAWING CONTAINS INFORMATION THAT IS PROPRIETARY TO MOLEX ELECTRONIC TECHNOLOGIES, LLC AND SHOULD NOT BE USED WITHOUT WRITTEN PERMISSION		CURRENT REV DESC:									
	DIMENSION UNITS	SCALE							EC NO: 631635			
▽ = 0	mm	1:1	DRWN: MDHARMANTI 2020/01/27		MPIS U12 NON PNP NPN 5P 8PT BK XM DUAL							
▽ = 0	GENERAL TOLERANCES (UNLESS SPECIFIED)		CHK'D: RSILLER 2020/02/05									
▽ = 0	ANGULAR TOL ± °		APPR: RSILLER 2020/02/05		PRODUCT CUSTOMER DRAWING							
▽ = 0	4 PLACES ±		INITIAL REVISION:									
▽ = 0	3 PLACES ±		DRWN: ULETENMEIER 2018/07/26		DOCUMENT NUMBER		DOC TYPE		DOC PART		REVISION	
▽ = 0	2 PLACES ±		APPR: RSILLER 2020/01/17		1202510028		PSD		000		A1	
▽ = 0	1 PLACE ±		DRAFT WHERE APPLICABLE MUST REMAIN WITHIN DIMENSIONS		MATERIAL NUMBER		CUSTOMER		SHEET NUMBER			
▽ = 0	0 PLACES ± 0.25		THIRD ANGLE PROJECTION		DRAWING		SERIES		SEE TABLE 1		GENERAL MARKET	
▽ = 0					A3-SIZE		120251				2 OF 2	