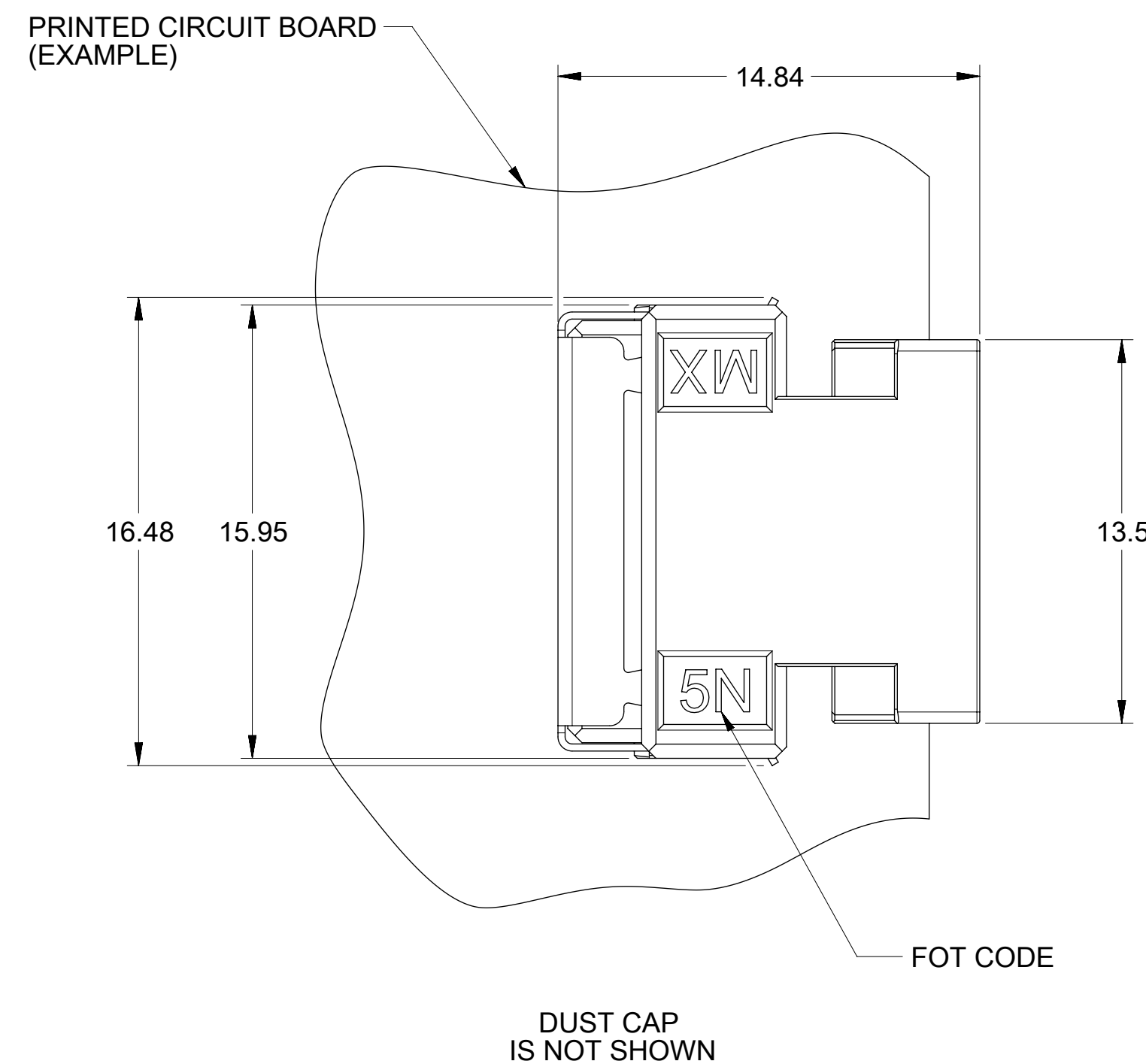
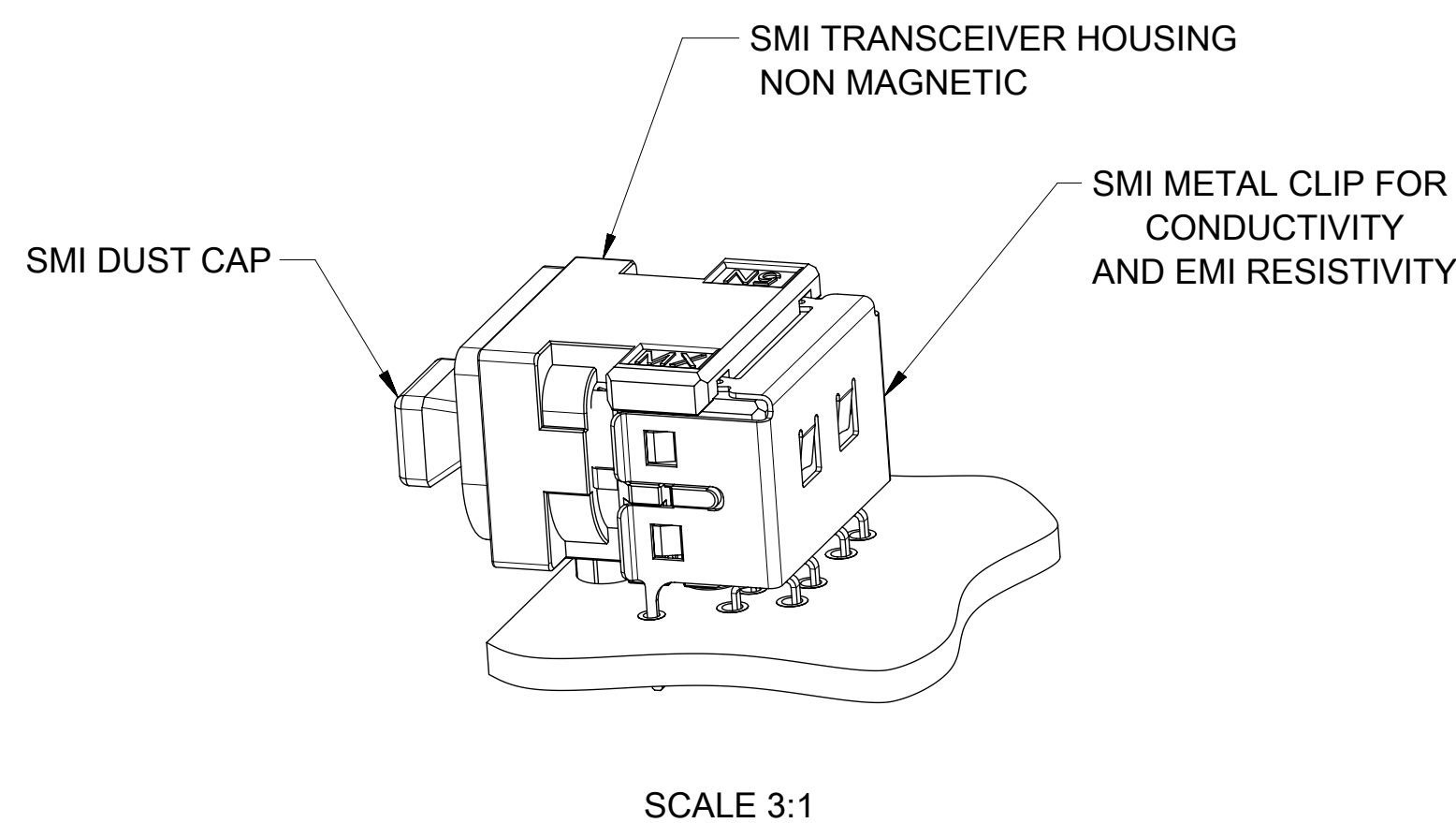
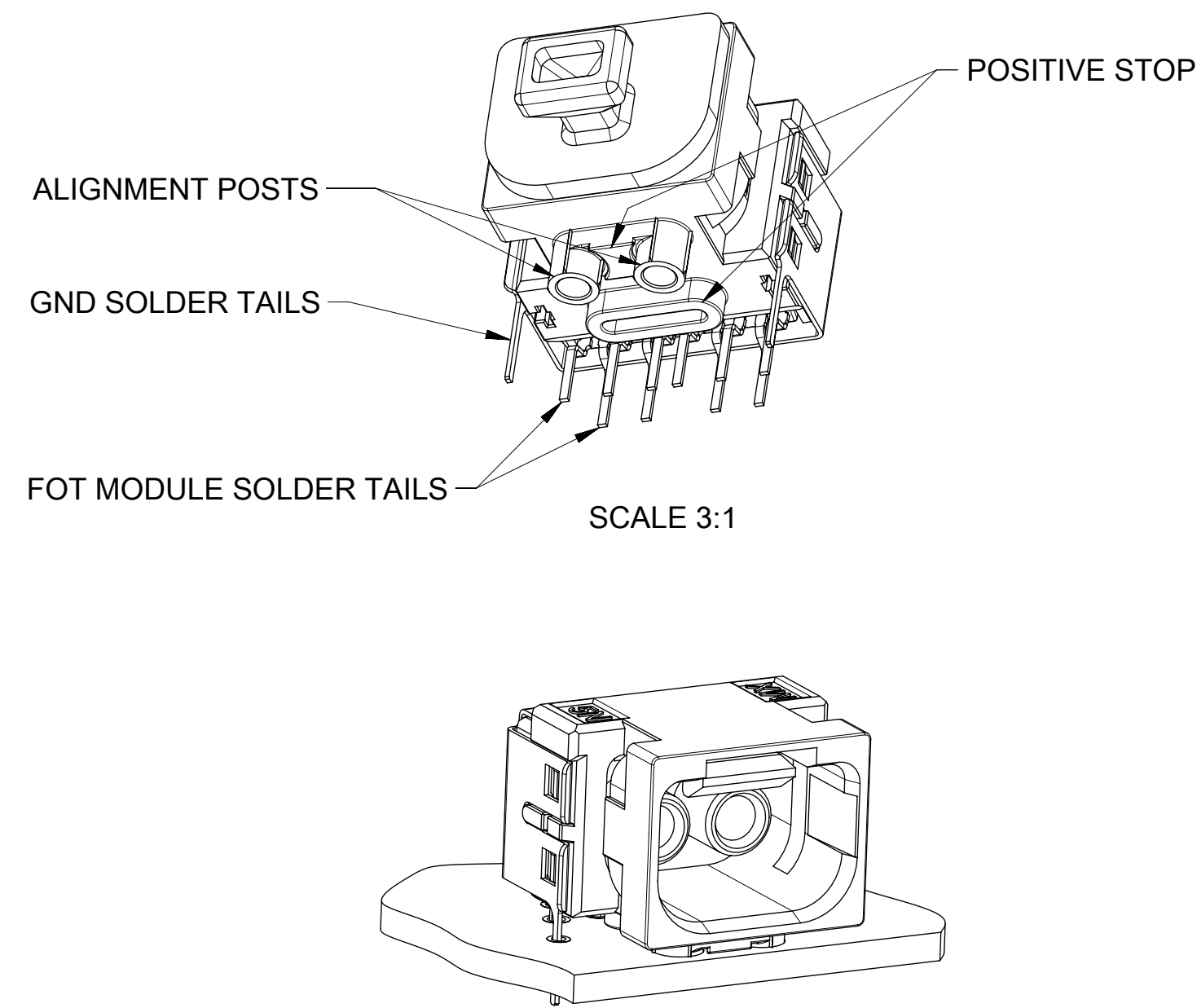
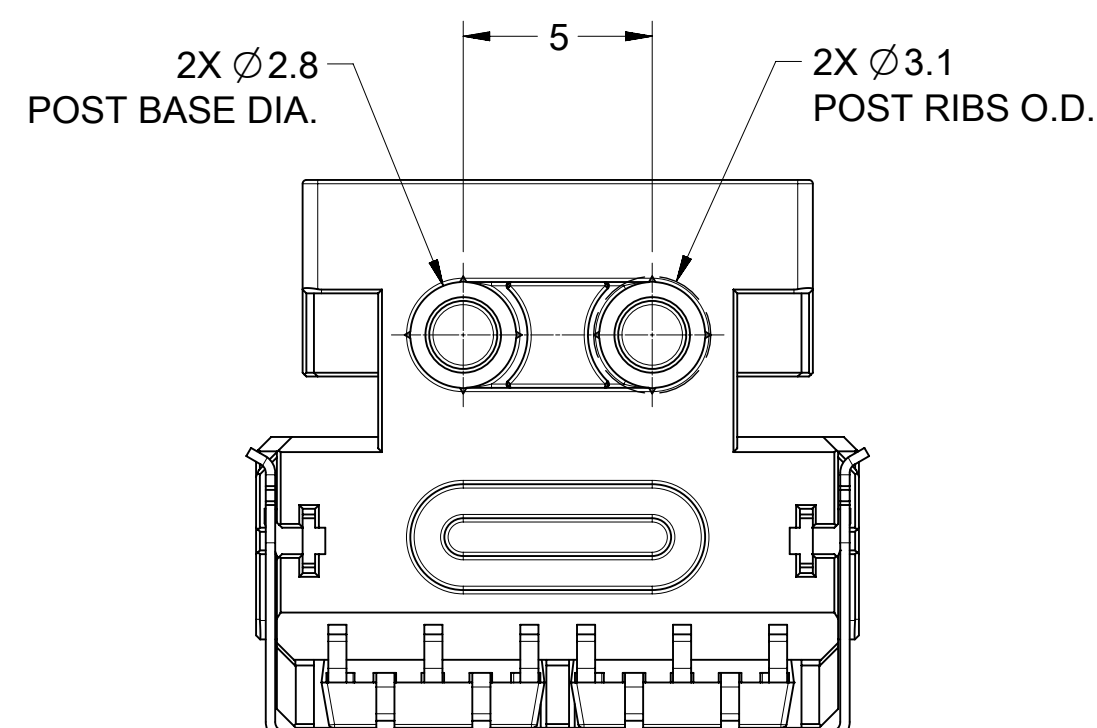
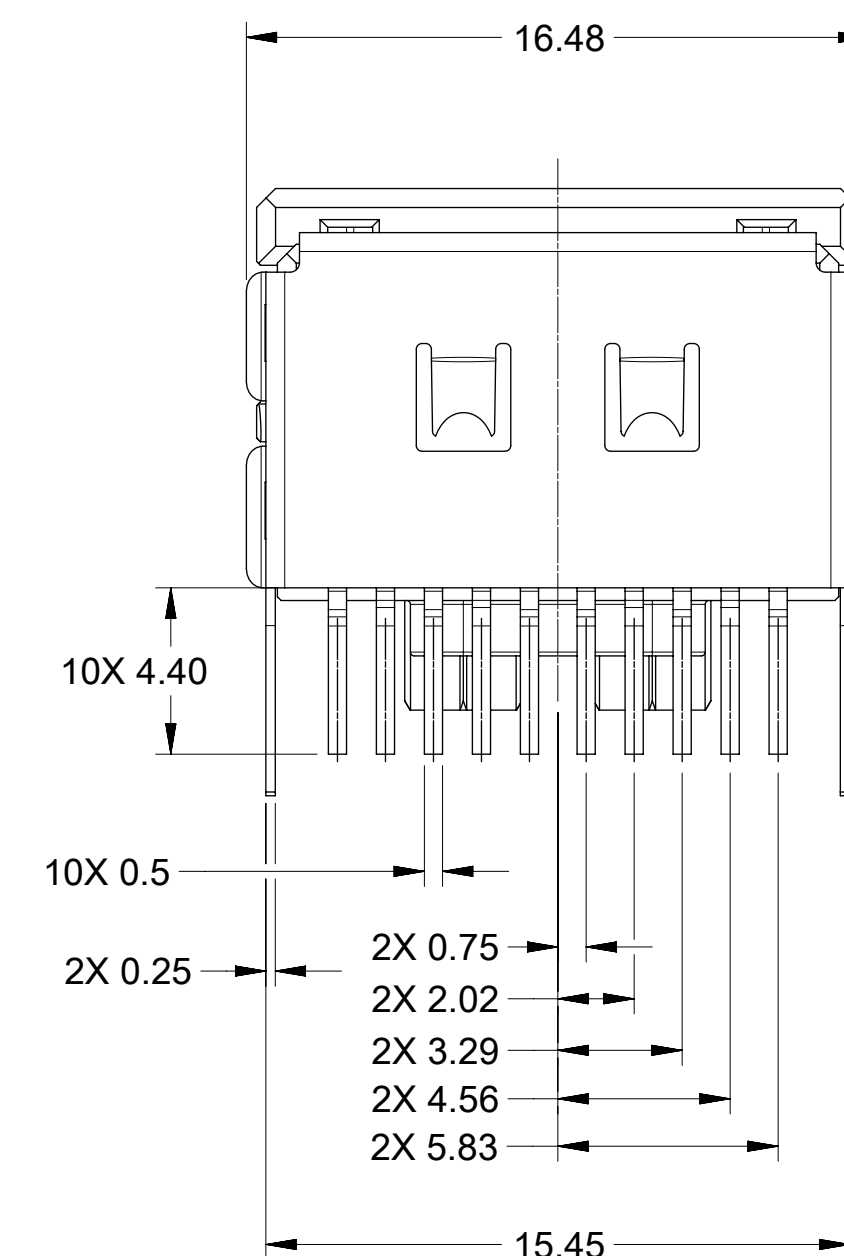
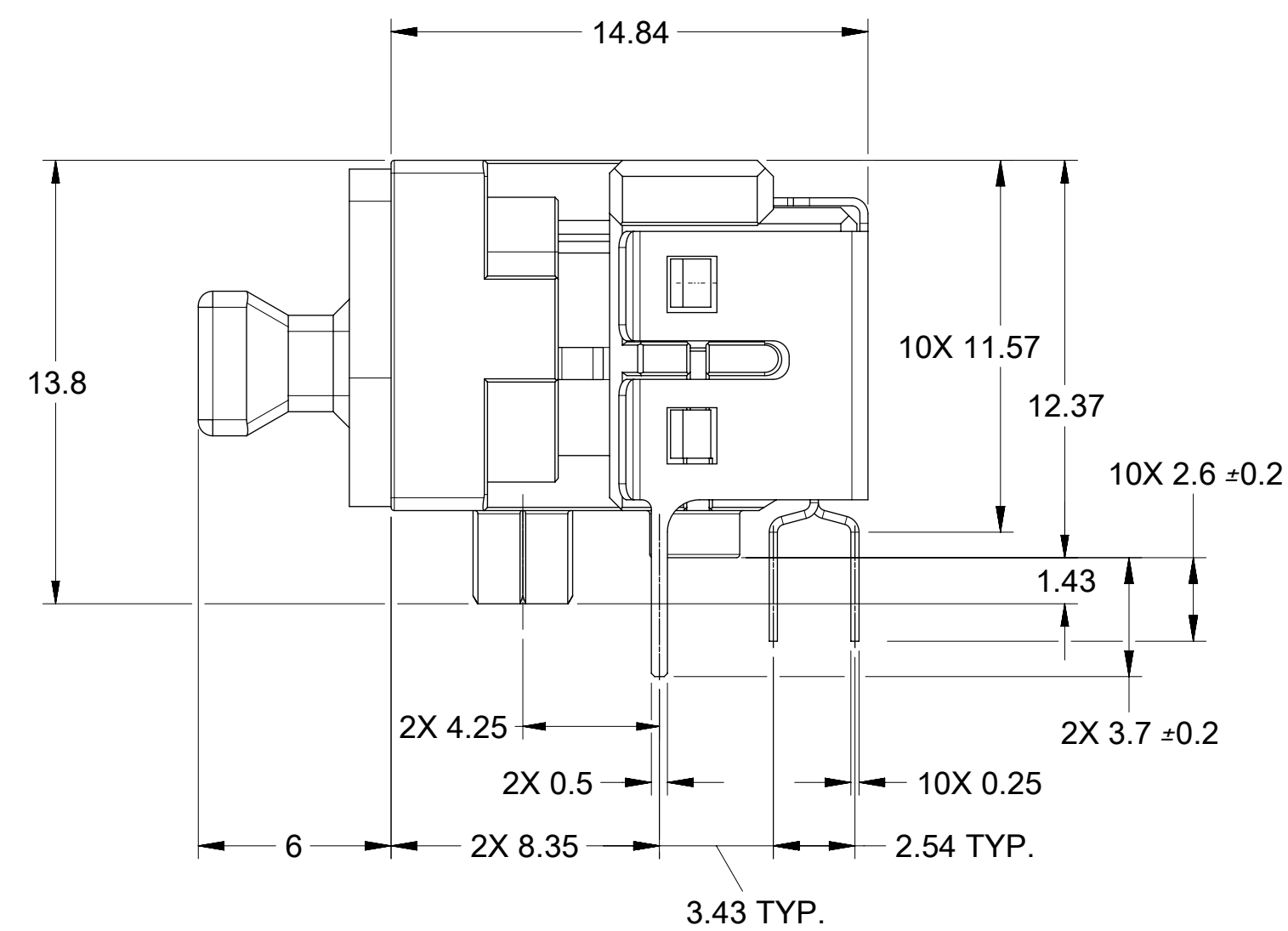
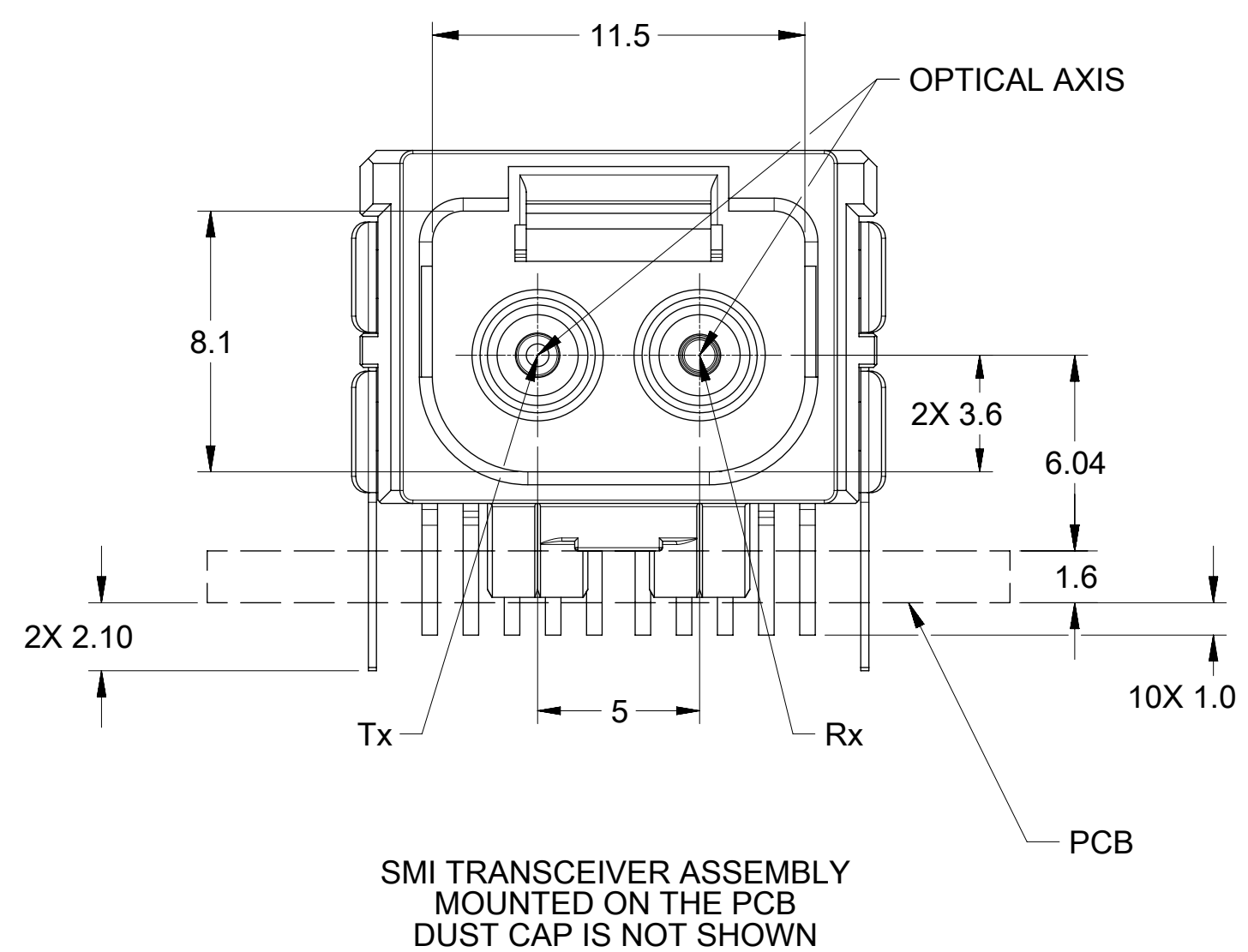
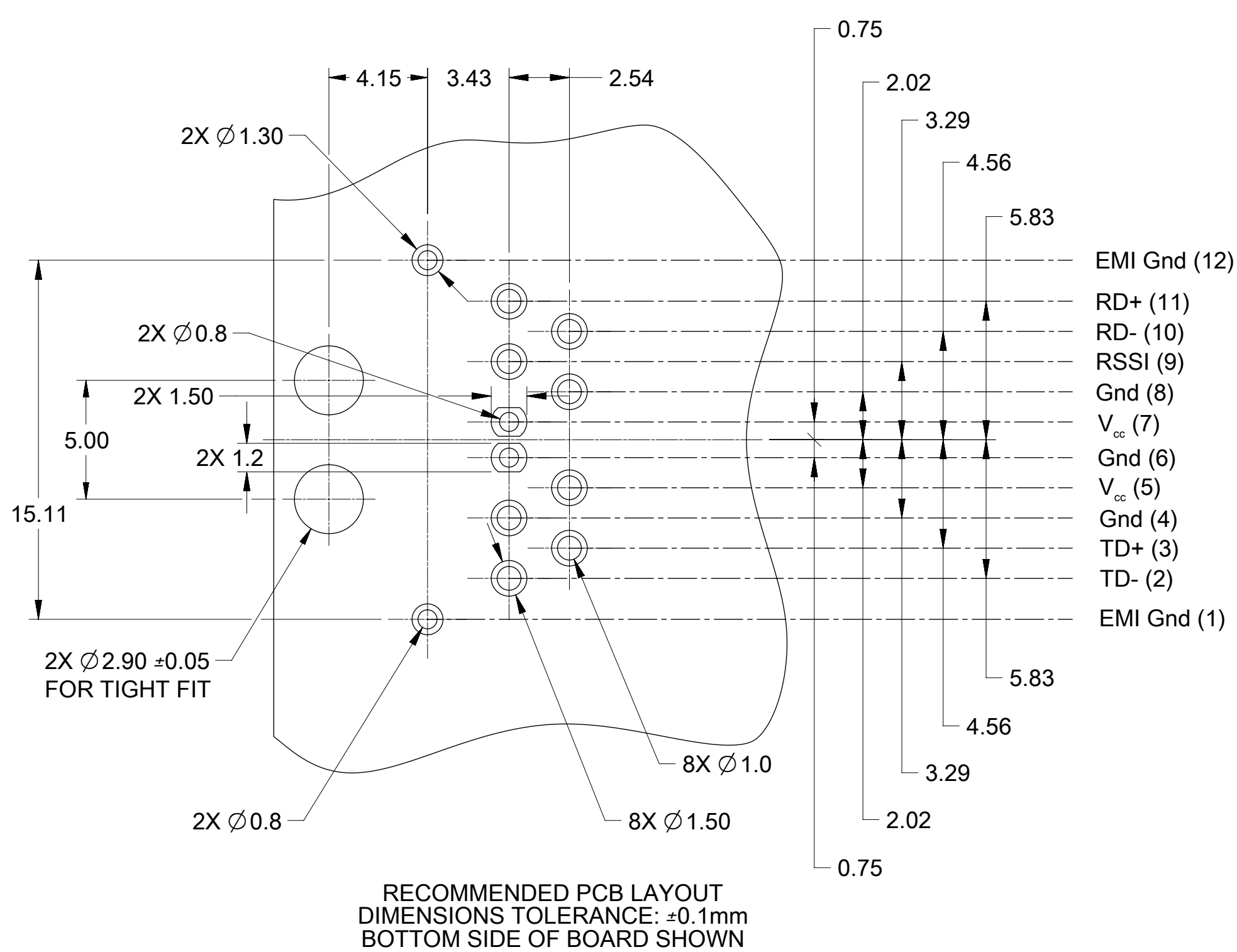


19	18	17	16	15	14	13	12	11	10	9	8	7	6	5	4	3	2	1	
FOT MODULE TYPE		FOT CODE																	
250/500 Mbps DIGITAL VCSEL		5N																	



SCALE 3:1
DUST CAP
IS NOT SHOWN



NOTES:

1. ALL DIMENSIONS ARE FOR REFERENCE ONLY EXCEPT FOR RECOMMENDED PCB LAYOUT.
2. ATTACH THIS COMPONENT TO THE PCB VIA HOT BAR, LASER OR IR SOLDERING. RE-FLOW OVEN SOLDERING IS NOT APPROVED AT THIS TIME.

SYMBOLS	THIS DRAWING CONTAINS INFORMATION THAT IS PROPRIETARY TO MOLEX ELECTRONIC TECHNOLOGIES, LLC AND SHOULD NOT BE USED WITHOUT WRITTEN PERMISSION		CURRENT REV DESC: NO DRAWING CHANGES FROM REV. B; COMPONENT MODELS REFRESHED			
	mm	SCALE 5:1	EC NO: 652858			
▽ = 0	GENERAL TOLERANCES (UNLESS SPECIFIED)		DRWN: AECKHART 2021/01/07		SMI NON-MAGNETIC TRANSCEIVER 250/500 MBPS, THRU-HOLE	
▽ = 0	ANGULAR TOL ± °		CHK'D: WCHEN 2021/01/12		PRODUCT CUSTOMER DRAWING	
▽ = 0	4 PLACES ±		APPR: WCHEN 2021/01/12		DOCUMENT NUMBER	
▽ = 0	3 PLACES ±		INITIAL REVISION:		DOC TYPE DOC PART REVISION	
▽ = 0	2 PLACES ±		DRWN: AECKHART 2018/05/09		1061082500	
▽ = 0	1 PLACE ±		APPR: WCHEN 2018/11/07		PSD 000 B1	
▽ = 0	0 PLACES ±		DRAFT WHERE APPLICABLE MUST REMAIN WITHIN DIMENSIONS		MATERIAL NUMBER CUSTOMER SHEET NUMBER	
▽ = 0	THIRD ANGLE PROJECTION		DRAWING SERIES D-SIZE 106108		1061082500 GENERAL MARKET 1 OF 1	