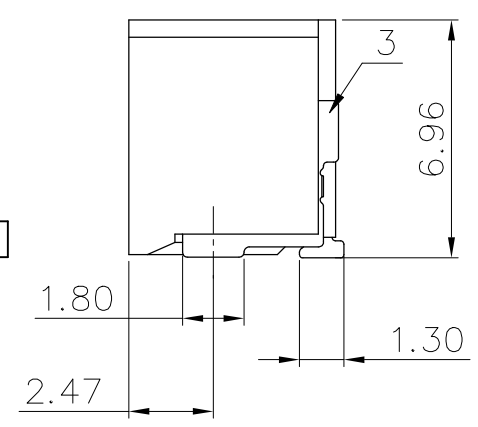
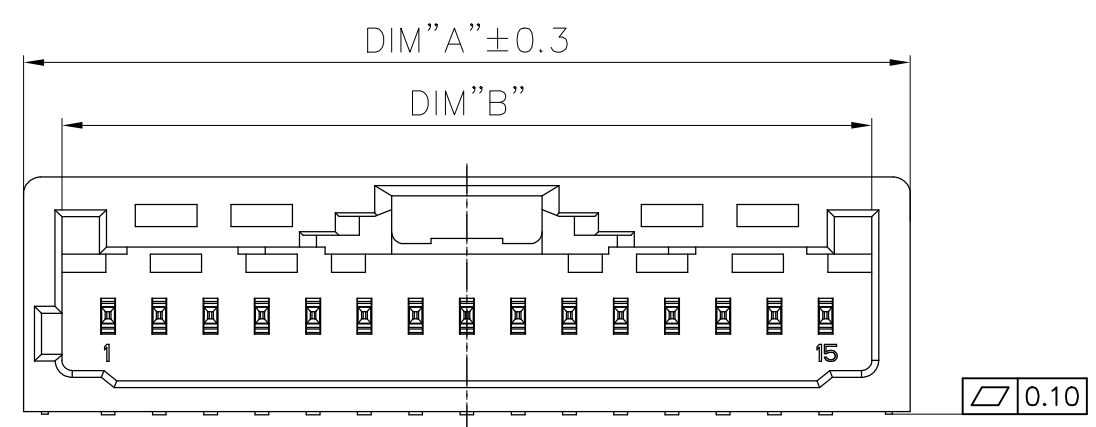


- NOTE:
- ELECTRICAL CHARACTERISTICS:
 - CURRENT RATING : 2A Max./PER PIN.
 - CONTACT RESISTANCE: 20mΩ MAX (INITIAL).
 - INSULATOR RESISTANCE: 100MΩ MIN.
 - DIELECTRIC WITHSTANDING VOLTAGE: 500V AC;
 - OPERATION TEMPERATURE: -40 °C ~ +105 °C;
 - MECHANICAL CHARACTERISTICS:
 - DURABILITY : 30 CYCLES.
 - HEADER PIN RETENTION FORCE: 2.94N MIN.
 - RECOMMENDED PCB THICKNESS IS 1.60mm.
 - THE HOUSING WILL WITHSTAND EXPOSURE TO 260°C PEAK TEMPERATURE FOR 20 SECONDS IN A CONVECTION, INFRA-RED OR VAPOR PHASE REFLOW.
 - LEAD FREE PRODUCT MEETS EUROPEAN UNION DIRECTIVES AND OTHER COUNTRY REGULATIONS AS DISCRIBLED IN GS-22-008.
 - PRODUCT SPECITICATION: GS-12-1610;
 - PACKAGE SPECITICATION: GS-14-2772;
 - PART NUMBER:

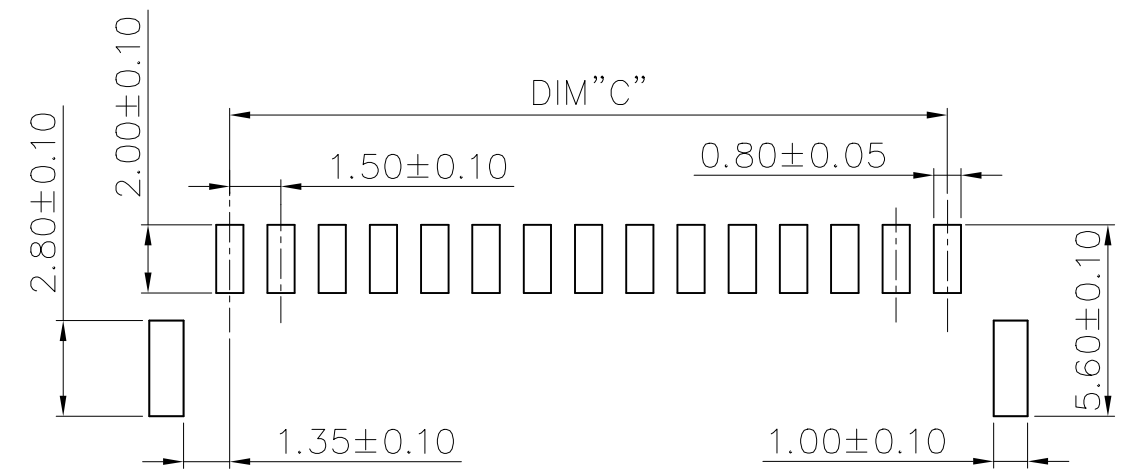
10158514-X X XX XX X LF



PLATING: 0=PLATING Tin PITCH: 1=1.50mm

COLOR: 0=NATURAL TYPE: SR=SINGLE ROW, 1=BLACK

PIN NO.: XX=02~15 PIN



RECOMMENDED PCB LAYOUT
GENERAL TOLERANCE +/-0.05

XX=PIN NO.

DIM	P/N: 10158514-00XXSR1LF
DIM "A"	25.95-(15-XX)*1.50
DIM "B"	23.70-(15-XX)*1.50
DIM "C"	21.00-(15-XX)*1.50

© 2016 AFCI

3	Hold-down	Copper Alloy,Matte Tin Over Ni Plate	2	
2	Terminal	Copper Alloy,Matte Tin Over Ni Plate	N	
1	Housing	Hilght Temperature Thermoplastic Natural ,UL94V-0	1	
No.	Component	Material	Q'ty	Remark

mat'l. code		surface	tolerance	projection	product family
ISO 1302		ISO 406	ISO 1101	HPL 542	
ltr	ecn no	dr	date	tolerances unless otherwise specified	title
A	-	A.Z	2020/09/23	angles	HEADER ASSEMBLY Multipitch WTB
B	ELX-N-38669	A.Z	2020/10/19	linear	
		dr	Arthur Zhao	2020/10/19	dwg no
		engr	Arthur Zhao	2020/10/19	sheet 1 of 1
		chr	Nick ZHANG	2020/10/19	size
		appd	Tim Yao	2020/10/19	A3
		Amphenol FCI			10158514
		type			Product Customer Drawing
sheet index	revision sheet				