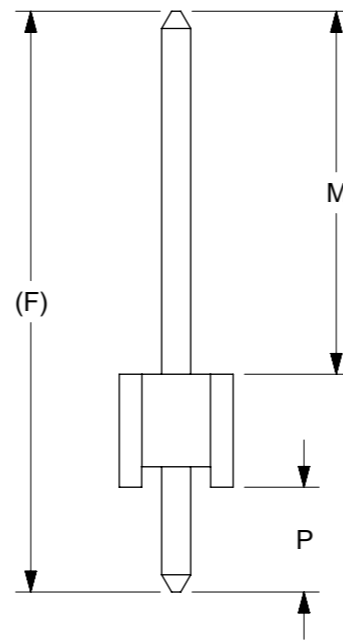
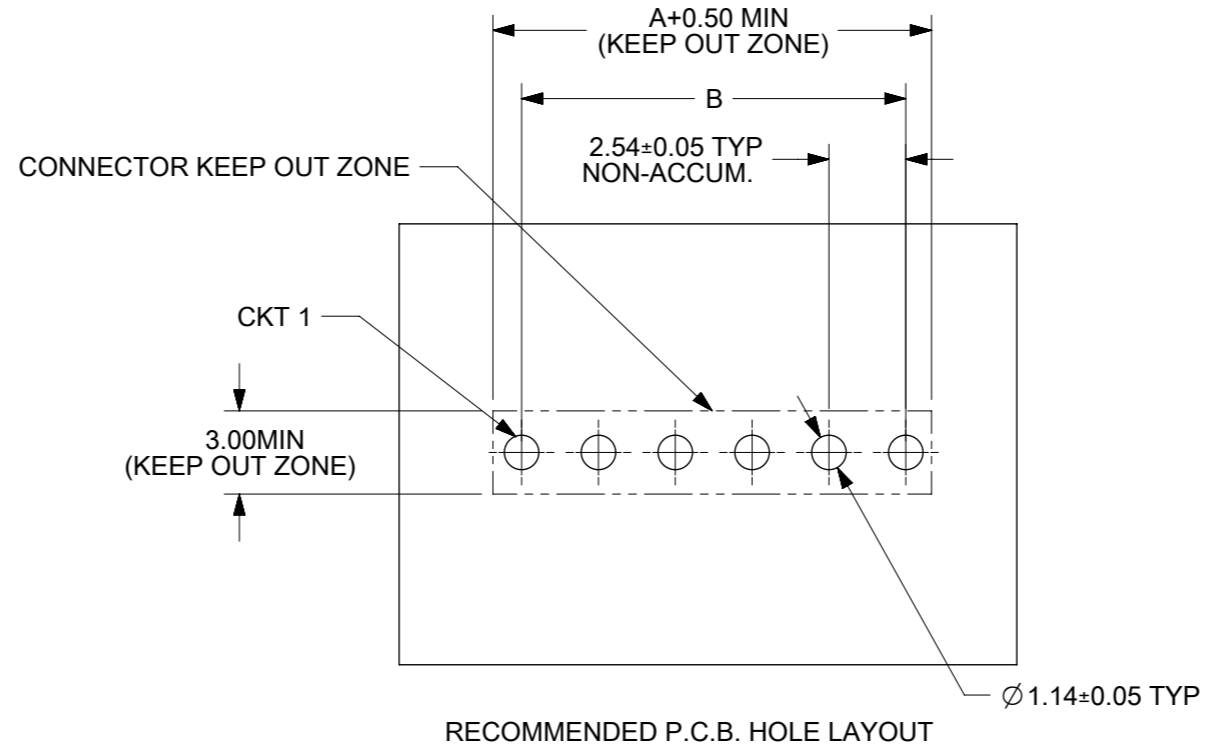
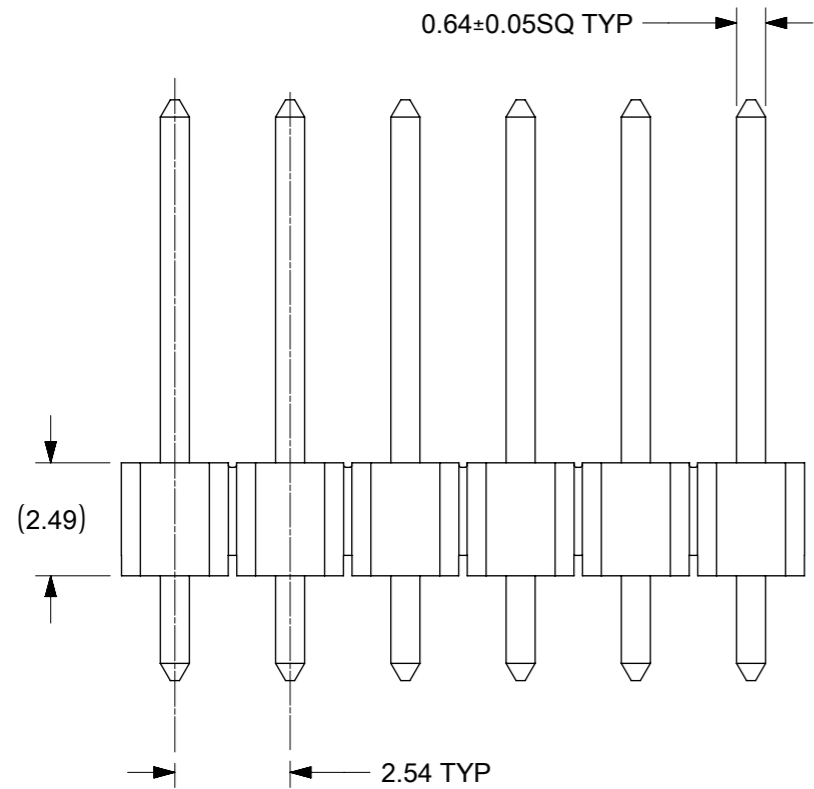
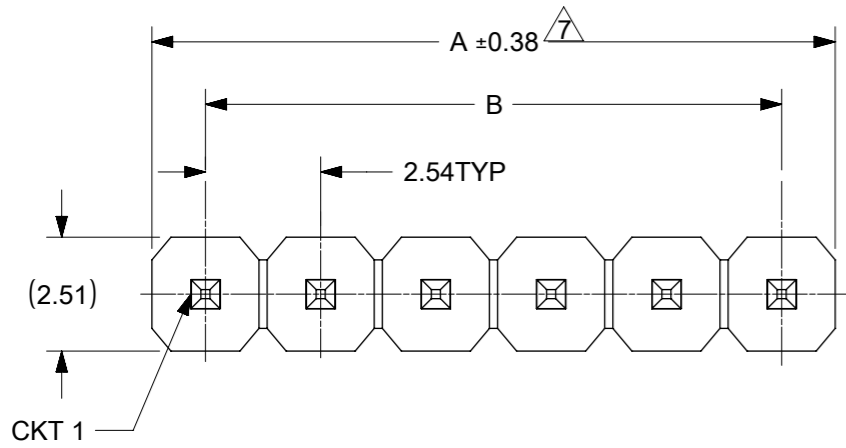


ASSEMBLY WITHOUT CAP

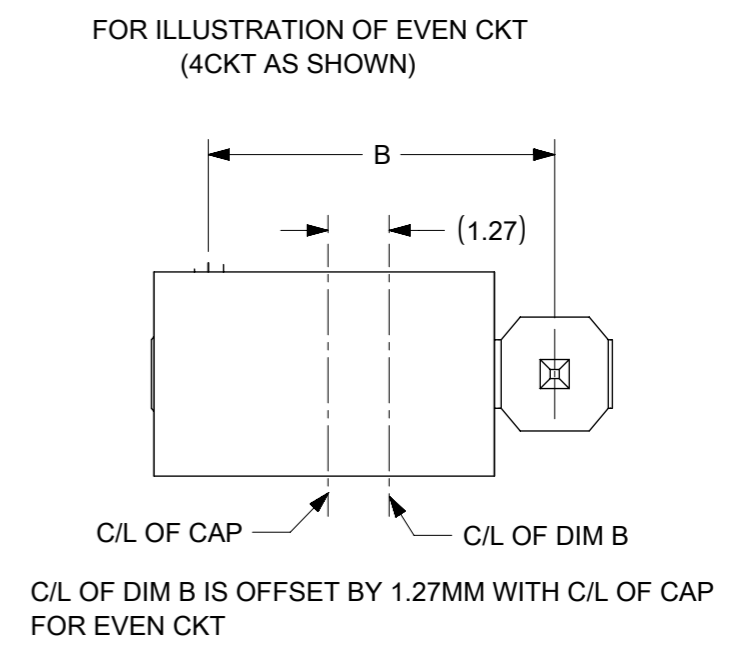
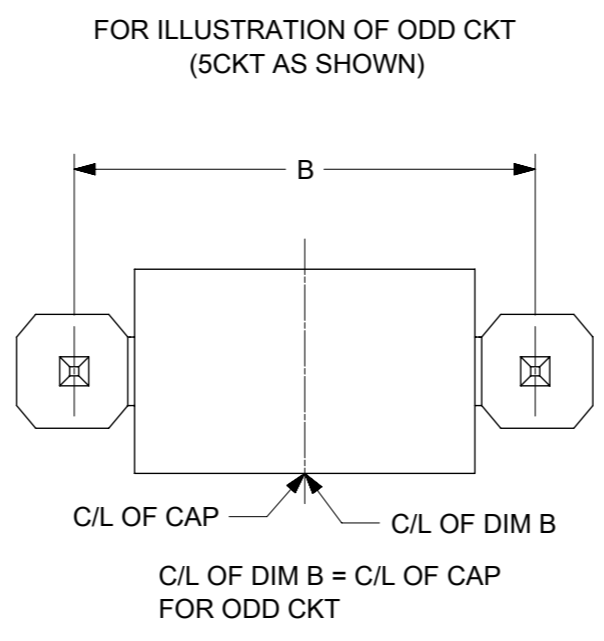
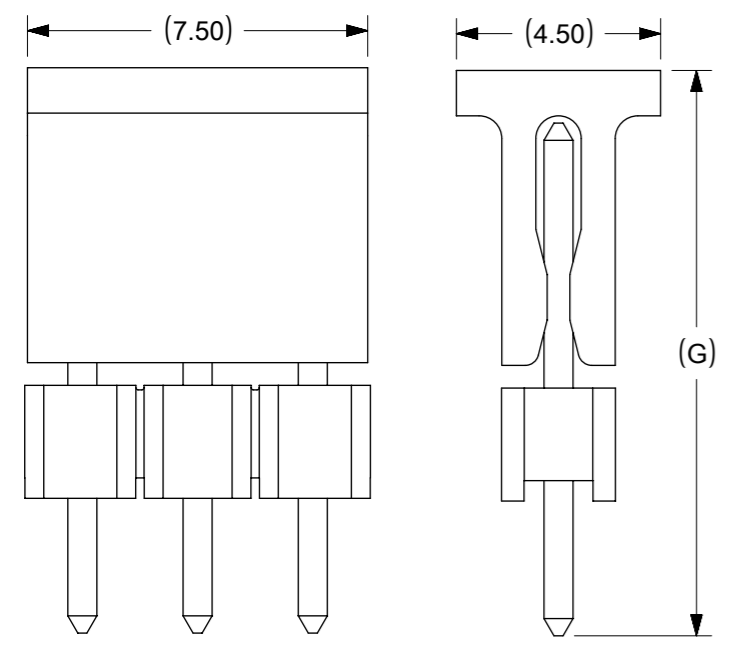


NOTES

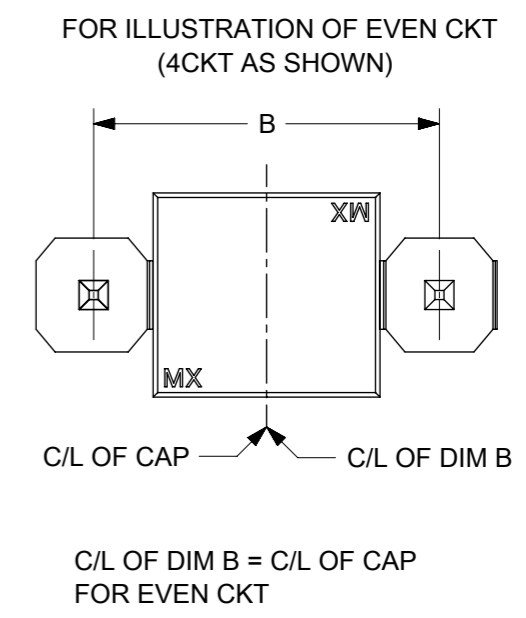
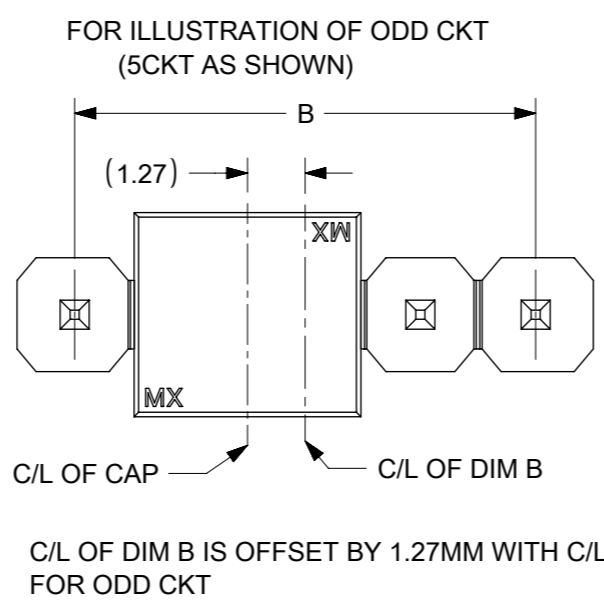
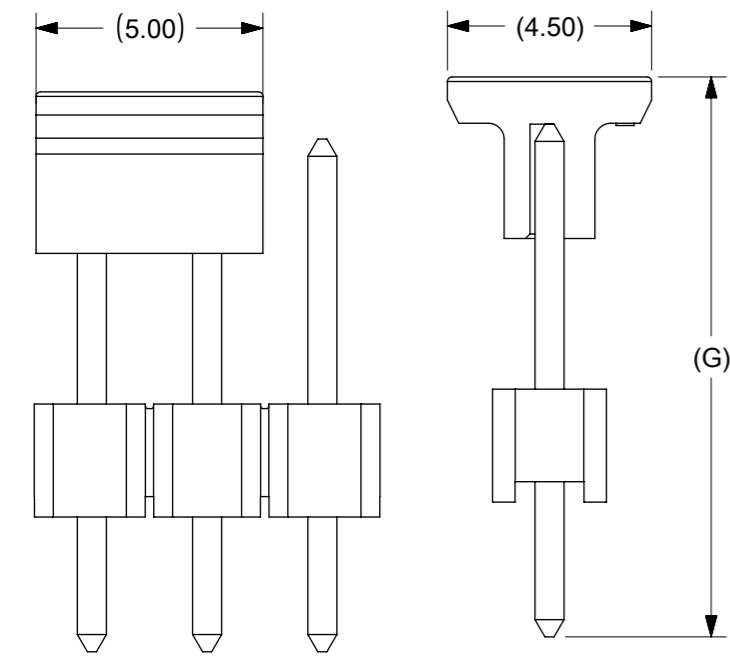
- MATERIAL:
HSG: NYLON, GLASS-FILLED, UL94V-0 COLOR: BLACK
PIN: 0.64MM SQ, COPPER ALLOY
- PLATING TYPE:
(1) GOLD FLASH OVER
1.25µm MIN. NICKEL OVERALL.
(2) GOLD FLASH ON CONTACT AND
2.50µm MIN. TIN ON SOLDER TAIL OVER
1.25µm MIN. NICKEL OVERALL.
(3) 0.38µm MIN. GOLD PLATE ON CONTACT AND
2.00µm MIN. TIN ON SOLDER TAIL OVER
1.25µm MIN. NICKEL OVERALL.
(4) 0.75µm MIN. GOLD PLATE ON CONTACT AND
2.00µm MIN. TIN ON SOLDER TAIL OVER
1.25µm MIN. NICKEL OVERALL.
(5) 2.50µm MIN TIN OVERALL
1.25µm MIN NICKEL OVERALL
- PRODUCT SPECIFICATION: PS-87920-019
- PACKAGING TYPE: SEE TABLE
- WAFER TO BE FLAT WITHIN 0.003 mm/mm
- RECOMMENDED PCB THICKNESS IS 1.60mm ± 0.10
△ IRREGULAR CIRCUIT CUTOFF WITHIN BREAKAWAY SECTION IS PERMISSIBLE. CUTTING OR CHIPPING OF THE MAIN BODY IS NOT ACCEPTABLE
- THE ABOVE CKT 6 IS FOR ILLUSTRATION PURPOSE ONLY
- PACKAGING SPECIFICATION:
TRAY: PK-89990-489
BULK: PK-89990-491
T&R : PK-87898-400
TUBE: PK-89990-934
- REFER SHEET 2 FOR CAP LOCATION.

FUNCTIONAL SYMBOLS FA = 0 FE = 0 FP = 0	THIS DRAWING CONTAINS INFORMATION THAT IS PROPRIETARY TO MOLEX ELECTRONIC TECHNOLOGIES, LLC AND SHOULD NOT BE USED WITHOUT WRITTEN PERMISSION		CURRENT REV DESC:						
	DIMENSION UNITS	SCALE	CUSTOMER DRAWING						
	mm	NTS	2.54MM PITCH, SINGLE ROW SINGLE WAFER, T/H HEADER						
	GENERAL TOLERANCES (UNLESS SPECIFIED)		PRODUCT CUSTOMER DRAWING						
DIVISIONAL SYMBOLS		MM	INCH	EC NO: 741471	DOCUMENT NUMBER	DOC TYPE	DOC PART	REVISION	
4 PLACES	±			DRWN: SUAIFR					2023/03/07
3 PLACES	±			CHK'D: SUAIFR	2023/03/08				
2 PLACES	±	0.2		APPR: MRAMAKRISHNA	2023/03/09				
1 PLACE	±			INITIAL REVISION:					
0 PLACES	±			DRWN: KCHO	2004/03/24				
				APPR: SLOW	2004/04/08				
DRAFT WHERE APPLICABLE MUST REMAIN WITHIN DIMENSIONS		THIRD ANGLE PROJECTION	DRAWING	SERIES	MATERIAL NUMBER	CUSTOMER	SHEET NUMBER		
			A3-SIZE	87891	SEE TABLE	GENERAL MARKET	1 OF 5		

CAP INFORMATION- CAP OPTION A



CAP INFORMATION- CAP OPTION B



FUNCTIONAL SYMBOLS	THIS DRAWING CONTAINS INFORMATION THAT IS PROPRIETARY TO MOLEX ELECTRONIC TECHNOLOGIES, LLC AND SHOULD NOT BE USED WITHOUT WRITTEN PERMISSION		CURRENT REV DESC:							
	FA = 0	mm							NTS	CUSTOM HEADER 2.54MM PITCH, SINGLE ROW SINGLE WAFER, T/H HEADER
DIVISIONAL SYMBOLS	GENERAL TOLERANCES (UNLESS SPECIFIED)		EC NO: 741471		PRODUCT CUSTOMER DRAWING					
	FB = 0	MM INCH		DRWN: SUAIFR	2023/03/07		DOCUMENT NUMBER		DOC TYPE	DOC PART
DIVISIONAL SYMBOLS	FC = 0	4 PLACES	±	±	CHK'D: SUAIFR	2023/03/08		SD-87891-001		
	FD = 0	3 PLACES	±	±	APPR: MRAMAKRISHNA	2023/03/09		PSD	000	D19
		2 PLACES	±	0.2	±	INITIAL REVISION:		MATERIAL NUMBER		
	1 PLACE	±	±	±	DRWN: KCHO	2004/03/24		CUSTOMER		SHEET NUMBER
		0 PLACES	±	±	APPR: SLOW	2004/04/08		GENERAL MARKET		2 OF 5
		ANGULAR TOL	±	3.0°	THIRD ANGLE PROJECTION		DRAWING	SERIES		
		DRAFT WHERE APPLICABLE MUST REMAIN WITHIN DIMENSIONS				A3-SIZE	87891			

10 9 8 7 6 5 4 3 2 1

CKT SIZE	DIMENSION		ASSY W/CAP IN T&R	ASSY W/O CAP IN T&R	ASSY W/O CAP IN TUBE	ASSY W/CAP IN TUBE	PART NO. W/O CAP IN TRAY PACKAGING	PART NO. IN BULK PACKAGING	CKT SIZE	VOID PIN	KINK PIN	(G)	DIMENSION			PLATING TYPE	CAP OPTION	REMARKS
	A	B											OAL	MATING END	SOLDIER TAIL			
01	2.54	---	-	-	-	-	87891-0108	-	01	-	-	-	10.80	5.08	3.23	5	-	-
02	5.08	2.54	-	-	-	-	87891-1017	-	01	-	-	-	12.29	6.80	3.00	3	-	-
03	7.62	5.08	-	-	-	-	87891-0200	-	02	-	-	-	11.76	6.09	3.18	5	-	-
04	10.16	7.62	-	-	-	-	87891-0205	-	02	-	-	-	11.30	5.84	2.97	4	-	-
05	12.70	10.16	-	-	-	-	87891-0206	-	02	-	-	-	11.30	5.84	2.97	5	-	-
06	15.24	12.70	-	-	-	-	87891-0211	-	02	-	-	-	11.30	5.84	2.97	5	-	-
07	17.78	15.24	-	-	-	-	87891-0207	-	02	-	-	-	9.80	4.00	3.31	5	-	-
08	20.32	17.78	-	-	-	-	87891-0208	-	02	-	-	-	7.49	4.00	1.00	2	-	-
09	22.86	20.32	-	-	-	-	87891-0209	-	02	-	-	-	10.80	5.08	3.23	5	-	-
10	25.40	22.86	-	-	-	-	87891-0210	-	02	-	-	-	31.00	25.54	2.97	5	-	-
11	27.94	25.40	-	-	-	-	87891-0216	-	02	-	-	-	7.29	2.40	2.40	5	-	-
12	30.48	27.94	-	-	-	-	87891-0212	-	02	-	-	-	18.37	12.68	3.20	5	-	-
13	33.02	30.48	-	-	-	-	87891-0211	-	02	-	-	-	26.49	20.80	3.20	5	-	-
14	35.56	33.02	-	-	-	-	87891-0214	-	02	-	-	-	19.49	13.00	4.00	5	-	-
15	38.10	35.56	-	-	-	-	87891-0215	-	02	-	-	14.98	13.98	7.49	4.00	5	A	-
16	40.64	38.10	-	-	-	-	87891-0213	-	02	-	-	-	12.14	5.84	3.81	4	-	-
17	43.18	40.64	-	-	-	-	87891-0306	-	03	-	-	-	11.30	5.84	2.97	5	-	-
18	45.72	43.18	-	-	-	-	87891-0308	-	03	-	-	-	11.30	5.84	2.97	5	-	-
19	48.26	45.72	-	-	-	-	87891-0307	-	03	-	-	-	22.73	18.74	1.50	5	-	-
20	50.80	48.26	-	-	-	-	87891-0003	-	03	2	-	-	13.72	9.65	1.78	6	-	-
21	53.34	50.80	-	-	-	-	87891-0312	-	03	-	-	-	11.30	5.84	2.97	4	-	-
22	55.88	53.34	-	-	-	-	87891-0311	-	03	-	-	12.34	11.30	5.84	2.97	5	B	REFER RPK-87891-0311 (FOR 87891-0311)
23	58.42	55.88	-	-	-	-	87891-0313	-	03	-	-	12.34	11.30	5.84	2.97	5	B	-
24	60.96	58.42	-	-	-	-	-	-	03	-	-	-	6.49	2.00	2.00	5	-	-
25	63.50	60.96	-	-	-	-	87891-0317	-	03	-	-	-	12.14	5.84	3.81	4	-	-
26	66.04	63.50	-	-	-	-	87891-0402	-	04	2	-	-	10.80	5.89	2.41	5	-	-
27	68.58	66.04	-	-	-	-	87891-0004	-	04	-	-	-	35.10	29.71	3.10	6	-	-
28	71.12	68.58	-	-	-	-	87891-0411	-	04	-	-	-	10.09	4.00	3.60	5	-	-
29	73.66	71.12	-	-	-	-	87891-0407	-	04	-	-	-	9.80	4.00	3.31	5	-	-
30	76.20	73.66	-	-	-	-	87891-0408	-	04	-	-	-	31.00	25.54	2.97	5	-	-
31	78.74	76.20	-	-	-	-	87891-0418	-	04	-	-	-	12.14	6.75	2.90	5	-	REFER 878910418-RPK (FOR 87891-0418)
32	81.28	78.74	-	-	-	-	87891-0409	-	04	-	-	-	12.14	6.75	2.90	4	-	-
33	83.82	81.28	-	-	-	-	87891-0417	-	04	-	-	16.31	15.11	9.01	3.61	5	A	-
34	86.36	83.82	-	-	-	-	87891-0432	-	04	-	-	-	18.03	13.54	2.00	5	-	-
35	88.90	86.36	-	-	-	-	87891-0430	-	04	-	-	-	13.09	8.00	2.80	5	A	-
36	91.44	88.90	-	-	-	-	-	-	-	-	-	-	-	-	-	-	-	-
37	93.98	91.44	-	-	-	-	-	-	-	-	-	-	-	-	-	-	-	-
38	96.52	93.98	-	-	-	-	-	-	-	-	-	-	-	-	-	-	-	-
39	99.06	96.52	-	-	-	-	-	-	-	-	-	-	-	-	-	-	-	-
40	101.60	99.06	-	-	-	-	-	-	-	-	-	-	-	-	-	-	-	-

FUNCTIONAL SYMBOLS		THIS DRAWING CONTAINS INFORMATION THAT IS PROPRIETARY TO MOLEX ELECTRONIC TECHNOLOGIES, LLC AND SHOULD NOT BE USED WITHOUT WRITTEN PERMISSION		CURRENT REV DESC:		molex			
$\nabla_A = 0$	mm	SCALE	NTS	EC NO: 741471				CUSTOMER DRAWING	
$\nabla_F = 0$	GENERAL TOLERANCES (UNLESS SPECIFIED)		DRWN: SUAIFR		2023/03/07		CUSTOMER		
$\nabla_P = 0$	MM INCH		CHK'D: SUAIFR		2023/03/08		2.54MM PITCH, SINGLE ROW SINGLE WAFER, T/H HEADER		
DIVISIONAL SYMBOLS		4 PLACES ±		APPR: MRAMAKRISHNA		2023/03/09		PRODUCT CUSTOMER DRAWING	
		3 PLACES ±		INITIAL REVISION:		DOCUMENT NUMBER		DOC TYPE	
		2 PLACES ± 0.2		DRWN: KCHO		SD-87891-001		PSD	
		1 PLACE ±		APPR: SLOW		2004/03/24		000	
		0 PLACES ±		ANGULAR TOL ± 3.0°		2004/04/08		D19	
		DRAFT WHERE APPLICABLE MUST REMAIN WITHIN DIMENSIONS		THIRD ANGLE PROJECTION		DRAWING		SERIES	
						A3-SIZE		87891	
						MATERIAL NUMBER		CUSTOMER	
						SEE TABLE		GENERAL MARKET	
								SHEET NUMBER	
								3 OF 5	

F	ASSY W/CAP IN T&R	ASSY W/O CAP IN T&R	ASSY W/O CAP IN TUBE	ASSY W/CAP IN TUBE	PART NO. W/O CAP IN TRAY PACKAGING	PART NO. IN BULK PACKAGING	CKT SIZE	VOID PIN	KINK PIN	(G)			PLATING TYPE	CAP OPTION	REMARKS	
											OAL	MATING END				
											(F)	M				
-	-	-	-	-	87891-0500	-	05	-	-	-	11.94	6.10	3.30	5	-	-
-	-	-	-	-	87891-0505	-	05	-	-	-	11.94	6.10	3.30	5	-	-
-	-	-	-	-	87891-0501	-	05	-	-	-	13.62	8.08	3.05	5	-	-
-	-	-	-	-	87891-0502	-	05	2	-	-	10.80	5.89	2.41	5	-	-
-	-	-	-	-	87891-0503	-	05	2	-	-	45.00	13.51	29.00	5	-	-
-	-	-	-	-	87891-0504	-	05	2	-	-	45.00	13.51	29.00	3	-	-
-	-	-	-	-	87891-0507	-	05	4	-	-	10.92	5.84	2.59	3	-	-
-	-	-	-	-	-	87891-0508	05	2,4	-	-	11.38	5.84	3.05	5	-	-
-	-	-	-	-	87891-0522	-	05	2&4	-	-	19.49	13.00	4.00	5	-	-
-	-	-	-	-	87891-0516	-	05	-	-	-	32.49	16.00	14.00	4	-	-
-	-	-	-	-	87891-0517	-	05	-	-	-	23.62	17.32	3.81	5	-	-
-	-	-	-	-	87891-0523	-	05	-	-	-	7.29	2.40	2.40	5	-	-
-	87891-0521	-	-	-	-	-	05	-	-	10.10	9.89	2.80	4.60	5	A	-
-	-	-	-	-	87891-0601	-	06	-	-	-	11.30	5.84	2.97	1	-	-
-	-	-	-	-	87891-0602	-	06	-	-	-	12.80	8.00	2.31	5	-	-
-	-	-	-	-	87891-0606	-	06	-	-	-	11.30	5.84	2.97	5	-	-
-	-	-	-	-	87891-0610	-	06	-	-	-	11.30	5.84	2.97	5	-	-
-	-	-	-	-	87891-0607	-	06	-	-	-	13.75	8.08	3.18	5	-	-
-	-	-	-	-	87891-0608	-	06	-	-	-	18.03	13.54	2.00	5	-	-
-	-	-	-	-	87891-0609	-	06	-	-	-	28.30	22.16	3.65	5	-	-
-	-	-	-	-	87891-0611	-	06	-	-	-	28.30	22.16	3.65	5	-	-
87891-0613	-	-	-	-	-	-	06	-	-	22.99	21.99	16.00	3.50	5	A	-
-	-	-	-	-	87891-0615	-	06	-	-	-	14.49	10.00	2.00	1	-	-
-	-	-	-	-	87891-0624	-	06	-	-	-	26.10	19.81	3.80	5	-	-
-	-	-	-	-	87891-0700	-	07	-	-	-	11.94	6.10	3.30	5	-	-
-	-	-	-	-	87891-0702	-	07	-	-	-	11.94	6.10	3.30	5	-	-
-	-	-	-	-	87891-0751	-	07	-	-	-	13.74	8.00	3.25	5	-	-
87891-0007	-	-	-	-	-	-	07	-	-	-	13.72	9.65	1.78	6	-	-
-	-	-	-	-	87891-0851	-	08	-	-	-	13.74	8.00	3.25	5	-	-
87891-0807	-	-	-	-	-	-	08	-	-	13.59	12.59	7.90	2.20	5	A	-
-	-	-	-	-	87891-0808	-	08	-	-	-	20.53	13.72	4.32	3	-	-
-	-	-	-	-	87891-0809	-	08	-	-	-	11.30	5.84	2.97	5	-	-

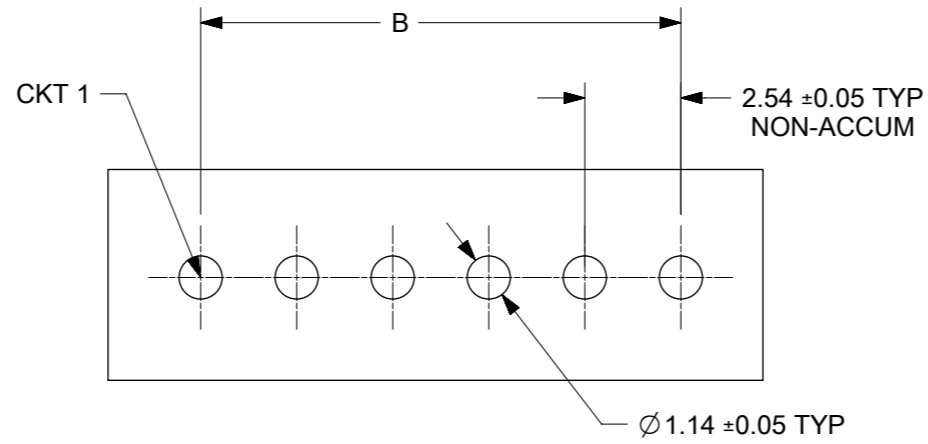
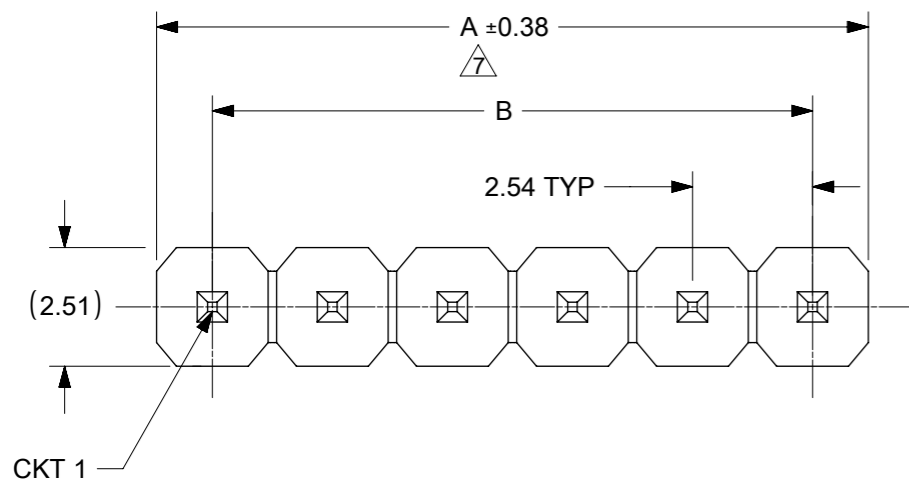
<p>FUNCTIONAL SYMBOLS</p> <p>$\nabla_A = 0$</p> <p>$\nabla_F = 0$</p> <p>$\nabla_P = 0$</p> <p>DIVISIONAL SYMBOLS</p>										<p>THIS DRAWING CONTAINS INFORMATION THAT IS PROPRIETARY TO MOLEX ELECTRONIC TECHNOLOGIES, LLC AND SHOULD NOT BE USED WITHOUT WRITTEN PERMISSION</p> <p>SCALE: mm NTS</p> <p>GENERAL TOLERANCES (UNLESS SPECIFIED)</p> <table border="1"> <tr><th colspan="2">MM</th><th colspan="2">INCH</th></tr> <tr><td>4 PLACES</td><td>±</td><td></td><td>±</td></tr> <tr><td>3 PLACES</td><td>±</td><td></td><td>±</td></tr> <tr><td>2 PLACES</td><td>±</td><td>0.2</td><td>±</td></tr> <tr><td>1 PLACE</td><td>±</td><td></td><td>±</td></tr> <tr><td>0 PLACES</td><td>±</td><td></td><td>±</td></tr> </table> <p>ANGULAR TOL ± 3.0°</p> <p>DRAFT WHERE APPLICABLE MUST REMAIN WITHIN DIMENSIONS</p>										MM		INCH		4 PLACES	±		±	3 PLACES	±		±	2 PLACES	±	0.2	±	1 PLACE	±		±	0 PLACES	±		±	<p>CURRENT REV DESC:</p> <p>EC NO: 741471</p> <p>DRWN: SUAIFR</p> <p>CHK'D: SUAIFR</p> <p>APPR: MRAMAKRISHNA</p> <p>INITIAL REVISION:</p> <p>DRWN: KCHO</p> <p>APPR: SCLOW</p>										<p>molex</p> <p>CUSTOM HEADER</p> <p>2.54MM PITCH, SINGLE ROW SINGLE WAFER, T/H HEADER</p> <p>PRODUCT CUSTOMER DRAWING</p> <p>DOCUMENT NUMBER: SD-87891-001</p> <p>DOC TYPE: PSD</p> <p>DOC PART: 000</p> <p>REVISION: D19</p> <p>SHEET NUMBER: 4 OF 5</p>									
MM		INCH																																																													
4 PLACES	±		±																																																												
3 PLACES	±		±																																																												
2 PLACES	±	0.2	±																																																												
1 PLACE	±		±																																																												
0 PLACES	±		±																																																												

ASSY W/CAP IN T&R	ASSY W/O CAP IN T&R	ASSY W/O CAP IN TUBE	ASSY W/CAP IN TUBE	PART NO. W/O CAP IN TRAY PACKAGING	PART NO. IN BULK PACKAGING	CKT SIZE	VOID PIN	KINK PIN	(G)		PLATING TYPE	CAP OPTION	REMARKS		
									(F)	M					
-	-	-	-	-	87891-2601	26	4,7,17	-	-	11.13	5.59	3.05	3	-	-
87891-1817	-	-	-	-	-	18	-	-	18.36	17.20	13.21	1.50	5	A	-
87891-1819	-	-	-	-	-	18	-	-	18.36	17.20	13.21	1.50	5	A	-
87891-1818	-	-	-	-	-	18	-	-	18.36	17.20	13.21	1.50	3	A	-
-	-	-	-	87891-2007	-	20	-	-	-	21.49	9.50	9.50	1	-	-
87891-2817	-	-	-	-	-	28	-	-	18.36	17.20	13.21	1.50	5	A	-
87891-2819	-	-	-	-	-	28	-	-	18.36	17.20	13.21	1.50	5	A	-
87891-2818	-	-	-	-	-	28	-	-	18.36	17.20	13.21	1.50	3	A	-
-	-	-	-	-	87891-3007	30	-	-	-	11.30	5.84	2.97	5	-	-
-	-	-	-	-	87891-3600	36	-	-	-	11.56	6.09	3.18	2	-	-
-	-	-	-	-	87891-4008	40	-	-	-	11.30	5.84	2.97	5	-	-
-	-	87891-4007	-	-	-	40	-	-	-	12.14	5.84	3.81	3	-	-

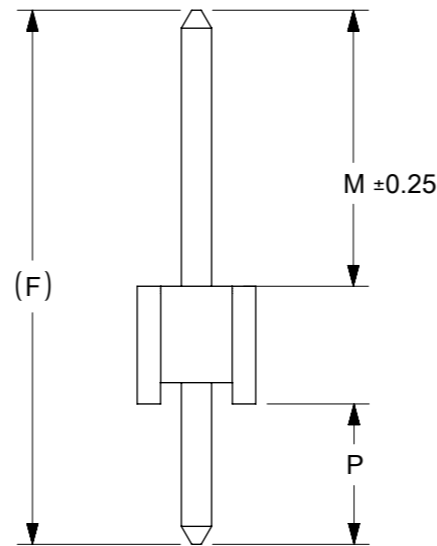
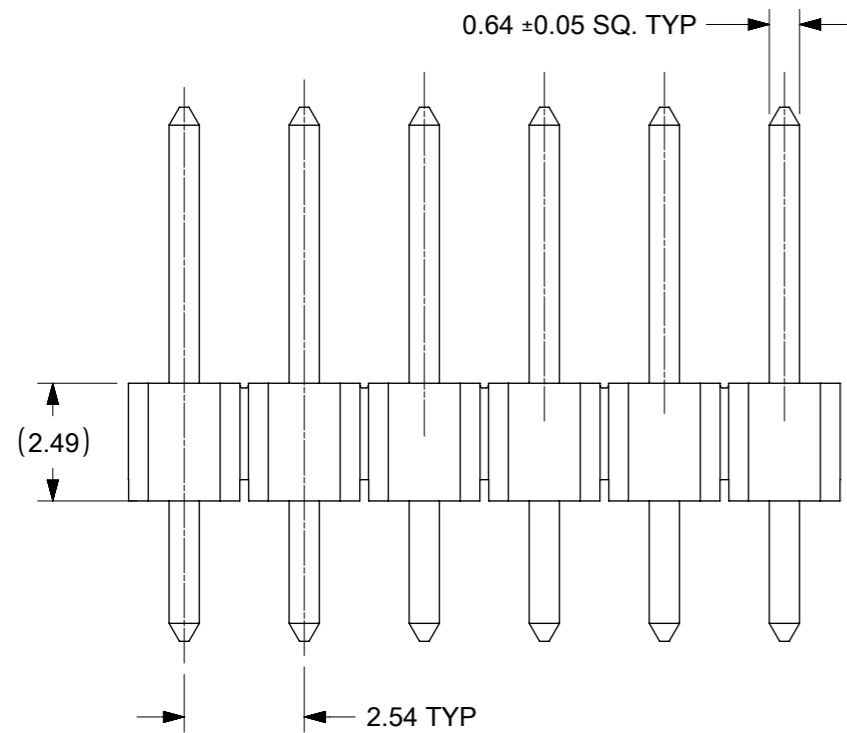
FUNCTIONAL SYMBOLS	THIS DRAWING CONTAINS INFORMATION THAT IS PROPRIETARY TO MOLEX ELECTRONIC TECHNOLOGIES, LLC AND SHOULD NOT BE USED WITHOUT WRITTEN PERMISSION																															
	$\nabla_A = 0$ $\nabla_F = 0$ $\nabla_P = 0$	DIMENSION UNITS mm	SCALE NTS	CURRENT REV DESC:																												
DIVISIONAL SYMBOLS	GENERAL TOLERANCES (UNLESS SPECIFIED)		EC NO: 741471			DRWN: SUAIFR			2023/03/07																							
	<table border="1"> <tr> <th></th> <th>MM</th> <th>INCH</th> </tr> <tr> <td>4 PLACES</td> <td>±</td> <td>±</td> </tr> <tr> <td>3 PLACES</td> <td>±</td> <td>±</td> </tr> <tr> <td>2 PLACES</td> <td>± 0.2</td> <td>±</td> </tr> <tr> <td>1 PLACE</td> <td>±</td> <td>±</td> </tr> <tr> <td>0 PLACES</td> <td>±</td> <td>±</td> </tr> </table>			MM	INCH	4 PLACES	±	±	3 PLACES	±	±	2 PLACES	± 0.2	±	1 PLACE	±	±	0 PLACES	±	±	CHK'D: SUAIFR			2023/03/08			APP'R: MRAMAKRISHNA			2023/03/09		
	MM	INCH																														
4 PLACES	±	±																														
3 PLACES	±	±																														
2 PLACES	± 0.2	±																														
1 PLACE	±	±																														
0 PLACES	±	±																														
	ANGULAR TOL ± 3.0°		INITIAL REVISION:			DRWN: KCHO			2004/03/24																							
	DRAFT WHERE APPLICABLE MUST REMAIN WITHIN DIMENSIONS		THIRD ANGLE PROJECTION			DRAWING			SERIES																							
						A3-SIZE			87891																							
DOCUMENT STATUS				P1	RELEASE DATE		2023/03/09		04:23:59																							

molex			
CUSTOM HEADER 2.54MM PITCH, SINGLE ROW SINGLE WAFER, T/H HEADER			
PRODUCT CUSTOMER DRAWING			
DOCUMENT NUMBER	DOC TYPE	DOC PART	REVISION
SD-87891-001	PSD	000	D19
MATERIAL NUMBER	CUSTOMER		SHEET NUMBER
SEE TABLE	GENERAL MARKET		5 OF 5

DOCUMENT STATUS	P1	RELEASE DATE	2023/03/09	04:23:59
-----------------	----	--------------	------------	----------

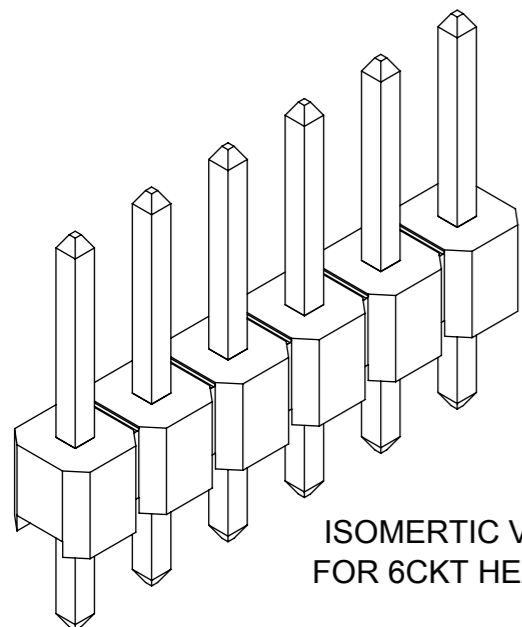


RECOMENDED P.C.B HOLE LAYOUT



NOTES

1. MATERIAL:
HSG: NYLON, GLASS-FILLED, UL94V-0 COLOR: BLACK
PIN: 0.64MM SQ, COPPER ALLOY
2. PLATING TYPE:
 - (1) GOLD FLASH OVER
1.270µm MIN. NICKEL OVERALL.
 - (2) GOLD FLASH ON CONTACT AND
1.905µm MIN. TIN ON SOLDER TAIL OVER
1.270µm MIN. NICKEL OVERALL.
 - (3) 0.254µm MIN. GOLD PLATE ON CONTACT AND
1.905µm MIN. TIN ON SOLDER TAIL OVER
1.270µm MIN. NICKEL OVERALL.
 - (4) 0.381µm MIN. GOLD PLATE ON CONTACT AND
1.905µm MIN. TIN ON SOLDER TAIL OVER
1.270µm MIN. NICKEL OVERALL.
 - (5) 0.762µm MIN. GOLD PLATE ON CONTACT AND
1.905µm MIN. TIN ON SOLDER TAIL OVER
1.270µm MIN. NICKEL OVERALL.
 - (6) 2.540µm/100µin MIN TIN OVERALL
1.270µm/50µin NICKEL OVERALL
3. PRODUCT SPECIFICATION: PS-87920-019
4. PACKAGING TYPE: SEE TABLE
5. WAFER TO BE FLAT WITHIN 0.003 mm/mm
6. RECOMMENDED PCB THICKNESS IS 1.60mm±0.10
- △ IRREGULAR CIRCUIT CUTOFF WITHIN BREAKAWAY SECTION IS PERMISSIBLE. CUTTING OR CHIPPING OF THE MAIN BODY IS NOT ACCEPTABLE
8. THE ABOVE CKT 6 IS FOR ILLUSTRATION PURPOSE ONLY
9. PACKAGING SPECIFICATION:
TRAY: PK-89990-489
BULK: PK-89990-491


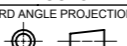


ISOMERTIC VIEW FOR 6CKT HEADER

THIS DRAWING CONTAINS INFORMATION THAT IS PROPRIETARY TO MOLEX ELECTRONIC TECHNOLOGIES, LLC AND SHOULD NOT BE USED WITHOUT WRITTEN PERMISSION		CURRENT REV DESC:			
DIMENSION UNITS	SCALE				
mm	NTS			CUSTOM HEADER 2.54MM PITCH, SINGLE ROW SINGLE WAFER, T/H HEADER	
GENERAL TOLERANCES (UNLESS SPECIFIED)				PRODUCT CUSTOMER DRAWING	
ANGULAR TOL	± 3.0 °			DOCUMENT NUMBER	
4 PLACES	±	EC NO: 679909		SD-87891-013	
3 PLACES	±	DRWN: AKUMAR19	2021/10/08	DOC TYPE	DOC PART
2 PLACES	± 0.2	CHK'D: MRAMAKRISHNA	2021/10/11	PSD	001
1 PLACE	±	APPR: MRAMAKRISHNA	2021/10/11	REVISION	
0 PLACES	±	INITIAL REVISION:		B5	
DRAFT WHERE APPLICABLE MUST REMAIN WITHIN DIMENSIONS		DRWN: YLQIAO	2004/12/06	MATERIAL NUMBER	
		APPR: SLOW	2004/12/07	CUSTOMER	
		THIRD ANGLE PROJECTION	DRAWING	GENERAL MARKET	
			A3-SIZE	SHEET NUMBER	
		SERIES	87891	1 OF 8	


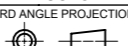
10	9			8	7	6	5	4	3	2	1
	PACKAGING OPTION PART NO.										
TRAY	BULK	TUBE WITHOUT CAP	CKT SIZE	VOID POSITION	PLATING TYPE	A	B	F	M	P	
87891-0101	---	---	1	---	1	2.54	---	11.30	5.84	2.97	
87891-0102	---	---	1	---	2	2.54	---	11.30	5.84	2.97	
87891-0103	---	---	1	---	3	2.54	---	11.30	5.84	2.97	
87891-0104	---	---	1	---	4	2.54	---	11.30	5.84	2.97	
87891-0105	---	---	1	---	5	2.54	---	11.30	5.84	2.97	
87891-0106	---	---	1	---	6	2.54	---	11.30	5.84	2.97	
(B4) 87891-0109	---	---	1	---	6	2.54	---	11.30	5.84	2.97	
87891-0201	---	---	2	---	1	5.08	2.54	11.30	5.84	2.97	
87891-0202	---	---	2	---	2	5.08	2.54	11.30	5.84	2.97	
87891-0203	---	---	2	---	3	5.08	2.54	11.30	5.84	2.97	
87891-0204	---	---	2	---	4	5.08	2.54	11.30	5.84	2.97	
87891-0205	---	---	2	---	5	5.08	2.54	11.30	5.84	2.97	
87891-0206	---	---	2	---	6	5.08	2.54	11.30	5.84	2.97	
(B4) 87891-0211	---	---	2	---	6	5.08	2.54	11.30	5.84	2.97	
87891-0301	---	---	3	---	1	7.62	5.08	11.30	5.84	2.97	
87891-0302	---	---	3	---	2	7.62	5.08	11.30	5.84	2.97	
87891-0303	---	---	3	---	3	7.62	5.08	11.30	5.84	2.97	
87891-0304	---	---	3	---	4	7.62	5.08	11.30	5.84	2.97	
87891-0305	---	---	3	---	5	7.62	5.08	11.30	5.84	2.97	
87891-0306	---	---	3	---	6	7.62	5.08	11.30	5.84	2.97	
(B4) 87891-0308	---	---	3	---	6	7.62	5.08	11.30	5.84	2.97	

10	9			8	7	6	5	4	3	2	1
	PACKAGING OPTION PART NO.										
TRAY	BULK	TUBE WITHOUT CAP	CKT SIZE	VOID POSITION	PLATING TYPE	A	B	F	M	P	
87891-0401	---	---	4	---	1	10.16	7.62	11.30	5.84	2.97	
87891-0412	---	---	4	---	2	10.16	7.62	11.30	5.84	2.97	
87891-0403	---	---	4	---	3	10.16	7.62	11.30	5.84	2.97	
87891-0404	---	---	4	---	4	10.16	7.62	11.30	5.84	2.97	
87891-0405	---	---	4	---	5	10.16	7.62	11.30	5.84	2.97	
87891-0406	---	---	4	---	6	10.16	7.62	11.30	5.84	2.97	
87891-0511	---	---	5	---	1	12.70	10.16	11.30	5.84	2.97	
87891-0512	---	---	5	---	2	12.70	10.16	11.30	5.84	2.97	
87891-0513	---	---	5	---	3	12.70	10.16	11.30	5.84	2.97	
87891-0514	---	---	5	---	4	12.70	10.16	11.30	5.84	2.97	
87891-0515	---	---	5	---	5	12.70	10.16	11.30	5.84	2.97	
87891-0506	---	---	5	---	6	12.70	10.16	11.30	5.84	2.97	
(B4) 87891-0509	---	---	5	---	6	12.70	10.16	11.30	5.84	2.97	
87891-0601	---	---	6	---	1	15.24	12.70	11.30	5.84	2.97	
87891-0612	---	---	6	---	2	15.24	12.70	11.30	5.84	2.97	
87891-0603	---	---	6	---	3	15.24	12.70	11.30	5.84	2.97	
87891-0604	---	---	6	---	4	15.24	12.70	11.30	5.84	2.97	
87891-0605	---	---	6	---	5	15.24	12.70	11.30	5.84	2.97	
87891-0606	---	---	6	---	6	15.24	12.70	11.30	5.84	2.97	
(B4) 87891-0610	---	---	6	---	6	15.24	12.70	11.30	5.84	2.97	

THIS DRAWING CONTAINS INFORMATION THAT IS PROPRIETARY TO MOLEX ELECTRONIC TECHNOLOGIES, LLC AND SHOULD NOT BE USED WITHOUT WRITTEN PERMISSION											
DIMENSION UNITS		SCALE		CURRENT REV DESC:							
mm		NTS									
GENERAL TOLERANCES (UNLESS SPECIFIED)				EC NO: 679909						CUSTOM HEADER 2.54MM PITCH, SINGLE ROW SINGLE WAFER, T/H HEADER	
ANGULAR TOL ± 3.0 °				DRWN: AKUMAR19 2021/10/08							
4 PLACES ±				CHK'D: MRAMAKRISHNA 2021/10/11						PRODUCT CUSTOMER DRAWING	
3 PLACES ±				APPR: MRAMAKRISHNA 2021/10/11							
2 PLACES ± 0.2				INITIAL REVISION:						DOCUMENT NUMBER SD-87891-013	
1 PLACE ±				DRWN: YLQIAO 2004/12/06							
0 PLACES ±				APPR: SLOW 2004/12/07						DOC TYPE DOC PART REVISION PSD 001 B5	
DRAFT WHERE APPLICABLE MUST REMAIN WITHIN DIMENSIONS		THIRD ANGLE PROJECTION		DRAWING		SERIES		MATERIAL NUMBER		CUSTOMER	
				A3-SIZE		87891		SEE TABLE		GENERAL MARKET	
										SHEET NUMBER 2 OF 8	

	PACKAGING OPTION PART NO.			CKT SIZE	VOID POSITION	PLATING TYPE	DIMENSION				
	TRAY	BULK	TUBE WITHOUT CAP				A	B	F	M	P
F	87891-1301	---	---	13	---	1	33.02	30.48	11.30	5.84	2.97
	87891-1302	---	---	13	---	2	33.02	30.48	11.30	5.84	2.97
	87891-1303	---	---	13	---	3	33.02	30.48	11.30	5.84	2.97
	87891-1304	---	---	13	---	4	33.02	30.48	11.30	5.84	2.97
	87891-1305	---	---	13	---	5	33.02	30.48	11.30	5.84	2.97
	87891-1306	---	---	13	---	6	33.02	30.48	11.30	5.84	2.97
E	87891-1401	---	---	14	---	1	35.56	33.02	11.30	5.84	2.97
	87891-1402	---	---	14	---	2	35.56	33.02	11.30	5.84	2.97
	87891-1403	---	---	14	---	3	35.56	33.02	11.30	5.84	2.97
	87891-1404	---	---	14	---	4	35.56	33.02	11.30	5.84	2.97
	87891-1405	---	---	14	---	5	35.56	33.02	11.30	5.84	2.97
	87891-1406	---	---	14	---	6	35.56	33.02	11.30	5.84	2.97
D	87891-1501	---	---	15	---	1	38.10	35.56	11.30	5.84	2.97
	87891-1502	---	---	15	---	2	38.10	35.56	11.30	5.84	2.97
	87891-1503	---	---	15	---	3	38.10	35.56	11.30	5.84	2.97
	87891-1504	---	---	15	---	4	38.10	35.56	11.30	5.84	2.97
	87891-1505	---	---	15	---	5	38.10	35.56	11.30	5.84	2.97
	87891-1506	---	---	15	---	6	38.10	35.56	11.30	5.84	2.97


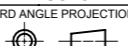
	PACKAGING OPTION PART NO.			CKT SIZE	VOID POSITION	PLATING TYPE	DIMENSION				
	TRAY	BULK	TUBE WITHOUT CAP				A	B	F	M	P
F	87891-1601	---	---	16	---	1	40.64	38.10	11.30	5.84	2.97
	87891-1602	---	---	16	---	2	40.64	38.10	11.30	5.84	2.97
	87891-1603	---	---	16	---	3	40.64	38.10	11.30	5.84	2.97
	87891-1604	---	---	16	---	4	40.64	38.10	11.30	5.84	2.97
	87891-1605	---	---	16	---	5	40.64	38.10	11.30	5.84	2.97
	87891-1606	---	---	16	---	6	40.64	38.10	11.30	5.84	2.97
E	87891-1701	---	---	17	---	1	43.18	40.64	11.30	5.84	2.97
	87891-1702	---	---	17	---	2	43.18	40.64	11.30	5.84	2.97
	87891-1703	---	---	17	---	3	43.18	40.64	11.30	5.84	2.97
	87891-1704	---	---	17	---	4	43.18	40.64	11.30	5.84	2.97
	87891-1705	---	---	17	---	5	43.18	40.64	11.30	5.84	2.97
	87891-1706	---	---	17	---	6	43.18	40.64	11.30	5.84	2.97
D	87891-1801	---	---	18	---	1	45.72	43.18	11.30	5.84	2.97
	87891-1802	---	---	18	---	2	45.72	43.18	11.30	5.84	2.97
	87891-1803	---	---	18	---	3	45.72	43.18	11.30	5.84	2.97
	87891-1804	---	---	18	---	4	45.72	43.18	11.30	5.84	2.97
	87891-1805	---	---	18	---	5	45.72	43.18	11.30	5.84	2.97
	87891-1806	---	---	18	---	6	45.72	43.18	11.30	5.84	2.97

THIS DRAWING CONTAINS INFORMATION THAT IS PROPRIETARY TO MOLEX ELECTRONIC TECHNOLOGIES, LLC AND SHOULD NOT BE USED WITHOUT WRITTEN PERMISSION											
DIMENSION UNITS		SCALE		CURRENT REV DESC:							
mm		NTS									
GENERAL TOLERANCES (UNLESS SPECIFIED)				EC NO: 679909 DRWN: AKUMAR19 2021/10/08 CHK'D: MRAMAKRISHNA 2021/10/11 APPR: MRAMAKRISHNA 2021/10/11 INITIAL REVISION: DRWN: YLQIAO 2004/12/06 APPR: SLOW 2004/12/07						CUSTOM HEADER	
ANGULAR TOL ± 3.0 °										2.54MM PITCH, SINGLE ROW SINGLE WAFER, T/H HEADER	
4 PLACES ±										PRODUCT CUSTOMER DRAWING	
3 PLACES ±										DOCUMENT NUMBER	
2 PLACES ± 0.2										SD-87891-013	
1 PLACE ±										DOC TYPE	
0 PLACES ±				DOC PART							
DRAFT WHERE APPLICABLE MUST REMAIN WITHIN DIMENSIONS				THIRD ANGLE PROJECTION		DRAWING		SERIES		SHEET NUMBER	
						A3-SIZE		87891		4 OF 8	
				MATERIAL NUMBER		CUSTOMER					
				SEE TABLE		GENERAL MARKET					

DOCUMENT STATUS	P1	RELEASE DATE	2021/10/11	11:53:25
-----------------	----	--------------	------------	----------

	PACKAGING OPTION PART NO.			CKT SIZE	VOID POSITION	PLATING TYPE	DIMENSION				
	TRAY	BULK	TUBE WITHOUT CAP				A	B	F	M	P
F	87891-1901	---	---	19	---	1	48.26	45.72	11.30	5.84	2.97
	87891-1902	---	---	19	---	2	48.26	45.72	11.30	5.84	2.97
	87891-1903	---	---	19	---	3	48.26	45.72	11.30	5.84	2.97
	87891-1904	---	---	19	---	4	48.26	45.72	11.30	5.84	2.97
	87891-1905	---	---	19	---	5	48.26	45.72	11.30	5.84	2.97
	87891-1906	---	---	19	---	6	48.26	45.72	11.30	5.84	2.97
E	87891-2001	---	---	20	---	1	50.80	48.26	11.30	5.84	2.97
	87891-2002	---	---	20	---	2	50.80	48.26	11.30	5.84	2.97
	87891-2003	---	---	20	---	3	50.80	48.26	11.30	5.84	2.97
	87891-2004	---	---	20	---	4	50.80	48.26	11.30	5.84	2.97
	87891-2005	---	---	20	---	5	50.80	48.26	11.30	5.84	2.97
	87891-2006	---	---	20	---	6	50.80	48.26	11.30	5.84	2.97
D	87891-2101	---	---	21	---	1	53.34	50.80	11.30	5.84	2.97
	87891-2102	---	---	21	---	2	53.34	50.80	11.30	5.84	2.97
	87891-2103	---	---	21	---	3	53.34	50.80	11.30	5.84	2.97
	87891-2104	---	---	21	---	4	53.34	50.80	11.30	5.84	2.97
	87891-2105	---	---	21	---	5	53.34	50.80	11.30	5.84	2.97
	87891-2106	---	---	21	---	6	53.34	50.80	11.30	5.84	2.97

	PACKAGING OPTION PART NO.			CKT SIZE	VOID POSITION	PLATING TYPE	DIMENSION				
	TRAY	BULK	TUBE WITHOUT CAP				A	B	F	M	P
F	87891-2201	---	---	22	---	1	55.88	53.34	11.30	5.84	2.97
	87891-2202	---	---	22	---	2	55.88	53.34	11.30	5.84	2.97
	87891-2203	---	---	22	---	3	55.88	53.34	11.30	5.84	2.97
	87891-2204	---	---	22	---	4	55.88	53.34	11.30	5.84	2.97
	87891-2205	---	---	22	---	5	55.88	53.34	11.30	5.84	2.97
	87891-2206	---	---	22	---	6	55.88	53.34	11.30	5.84	2.97
E	87891-2301	---	---	23	---	1	58.42	55.88	11.30	5.84	2.97
	87891-2302	---	---	23	---	2	58.42	55.88	11.30	5.84	2.97
	87891-2303	---	---	23	---	3	58.42	55.88	11.30	5.84	2.97
	87891-2304	---	---	23	---	4	58.42	55.88	11.30	5.84	2.97
	87891-2305	---	---	23	---	5	58.42	55.88	11.30	5.84	2.97
	87891-2306	---	---	23	---	6	58.42	55.88	11.30	5.84	2.97
D	87891-2401	---	---	24	---	1	60.96	58.42	11.30	5.84	2.97
	87891-2402	---	---	24	---	2	60.96	58.42	11.30	5.84	2.97
	87891-2403	---	---	24	---	3	60.96	58.42	11.30	5.84	2.97
	87891-2404	---	---	24	---	4	60.96	58.42	11.30	5.84	2.97
	87891-2405	---	---	24	---	5	60.96	58.42	11.30	5.84	2.97
	87891-2406	---	---	24	---	6	60.96	58.42	11.30	5.84	2.97


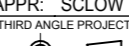
THIS DRAWING CONTAINS INFORMATION THAT IS PROPRIETARY TO MOLEX ELECTRONIC TECHNOLOGIES, LLC AND SHOULD NOT BE USED WITHOUT WRITTEN PERMISSION											
DIMENSION UNITS		SCALE		CURRENT REV DESC:							
mm		NTS									
GENERAL TOLERANCES (UNLESS SPECIFIED)				EC NO: 679909 DRWN: AKUMAR19 2021/10/08 CHK'D: MRAMAKRISHNA 2021/10/11 APPR: MRAMAKRISHNA 2021/10/11 INITIAL REVISION: DRWN: YLQIAO 2004/12/06 APPR: SLOW 2004/12/07						CUSTOM HEADER	
ANGULAR TOL ± 3.0 °										2.54MM PITCH, SINGLE ROW SINGLE WAFER, T/H HEADER	
4 PLACES ±										PRODUCT CUSTOMER DRAWING	
3 PLACES ±										DOCUMENT NUMBER	
2 PLACES ± 0.2										SD-87891-013	
1 PLACE ±										DOC TYPE	
0 PLACES ±				DOC PART							
DRAFT WHERE APPLICABLE MUST REMAIN WITHIN DIMENSIONS				THIRD ANGLE PROJECTION		DRAWING		SERIES		SHEET NUMBER	
						A3-SIZE		87891		5 OF 8	
				MATERIAL NUMBER		CUSTOMER		REVISION			
				SEE TABLE		GENERAL MARKET		001		B5	

DOCUMENT STATUS	P1	RELEASE DATE	2021/10/11	11:53:25
-----------------	----	--------------	------------	----------

10	9			8	7	6	DIMENSION							
	PACKAGING OPTION PART NO.						CKT SIZE	VOID POSITION	PLATING TYPE	A	B	F	M	P
	TRAY	BULK	TUBE WITHOUT CAP											
87891-2501	---	---	25	---	1	63.50	60.96	11.30	5.84	2.97				
87891-2502	---	---	25	---	2	63.50	60.96	11.30	5.84	2.97				
87891-2503	---	---	25	---	3	63.50	60.96	11.30	5.84	2.97				
87891-2504	---	---	25	---	4	63.50	60.96	11.30	5.84	2.97				
87891-2505	---	---	25	---	5	63.50	60.96	11.30	5.84	2.97				
87891-2506	---	---	25	---	6	63.50	60.96	11.30	5.84	2.97				
---	87891-2611	---	26	---	1	66.04	63.50	11.30	5.84	2.97				
---	87891-2602	---	26	---	2	66.04	63.50	11.30	5.84	2.97				
---	87891-2603	---	26	---	3	66.04	63.50	11.30	5.84	2.97				
---	87891-2604	---	26	---	4	66.04	63.50	11.30	5.84	2.97				
---	87891-2605	---	26	---	5	66.04	63.50	11.30	5.84	2.97				
---	87891-2606	---	26	---	6	66.04	63.50	11.30	5.84	2.97				
---	87891-2701	---	27	---	1	68.58	66.04	11.30	5.84	2.97				
---	87891-2702	---	27	---	2	68.58	66.04	11.30	5.84	2.97				
---	87891-2703	---	27	---	3	68.58	66.04	11.30	5.84	2.97				
---	87891-2704	---	27	---	4	68.58	66.04	11.30	5.84	2.97				
---	87891-2705	---	27	---	5	68.58	66.04	11.30	5.84	2.97				
---	87891-2706	---	27	---	6	68.58	66.04	11.30	5.84	2.97				

5	4			3	2	1	DIMENSION							
	PACKAGING OPTION PART NO.						CKT SIZE	VOID POSITION	PLATING TYPE	A	B	F	M	P
	TRAY	BULK	TUBE WITHOUT CAP											
---	87891-2801	---	28	---	1	71.12	68.58	11.30	5.84	2.97				
---	87891-2802	---	28	---	2	71.12	68.58	11.30	5.84	2.97				
---	87891-2803	---	28	---	3	71.12	68.58	11.30	5.84	2.97				
---	87891-2804	---	28	---	4	71.12	68.58	11.30	5.84	2.97				
---	87891-2805	---	28	---	5	71.12	68.58	11.30	5.84	2.97				
---	87891-2806	---	28	---	6	71.12	68.58	11.30	5.84	2.97				
---	87891-2901	---	29	---	1	73.66	71.12	11.30	5.84	2.97				
---	87891-2902	---	29	---	2	73.66	71.12	11.30	5.84	2.97				
---	87891-2903	---	29	---	3	73.66	71.12	11.30	5.84	2.97				
---	87891-2904	---	29	---	4	73.66	71.12	11.30	5.84	2.97				
---	87891-2905	---	29	---	5	73.66	71.12	11.30	5.84	2.97				
---	87891-2906	---	29	---	6	73.66	71.12	11.30	5.84	2.97				
---	87891-3001	---	30	---	1	76.20	73.66	11.30	5.84	2.97				
---	87891-3002	---	30	---	2	76.20	73.66	11.30	5.84	2.97				
---	87891-3003	---	30	---	3	76.20	73.66	11.30	5.84	2.97				
---	87891-3004	---	30	---	4	76.20	73.66	11.30	5.84	2.97				
---	87891-3005	---	30	---	5	76.20	73.66	11.30	5.84	2.97				
---	87891-3006	---	30	---	6	76.20	73.66	11.30	5.84	2.97				

DOCUMENT STATUS	P1	RELEASE DATE	2021/10/11	11:53:25
-----------------	----	--------------	------------	----------

THIS DRAWING CONTAINS INFORMATION THAT IS PROPRIETARY TO MOLEX ELECTRONIC TECHNOLOGIES, LLC AND SHOULD NOT BE USED WITHOUT WRITTEN PERMISSION									
DIMENSION UNITS	SCALE	CURRENT REV DESC:			 CUSTOMER HEADER 2.54MM PITCH, SINGLE ROW SINGLE WAFER, T/H HEADER				
mm	NTS								
GENERAL TOLERANCES (UNLESS SPECIFIED)		EC NO: 679909			PRODUCT CUSTOMER DRAWING DOCUMENT NUMBER: SD-87891-013 DOC TYPE: PSD DOC PART: 001 REVISION: B5				
ANGULAR TOL ± 3.0 °		DRWN: AKUMAR19 2021/10/08							
4 PLACES ±	CHK'D: MRAMAKRISHNA 2021/10/11			MATERIAL NUMBER: SEE TABLE CUSTOMER: GENERAL MARKET SHEET NUMBER: 6 OF 8					
3 PLACES ±	APPR: MRAMAKRISHNA 2021/10/11								
2 PLACES ± 0.2	INITIAL REVISION:			SERIES: 87891					
1 PLACE ±	DRWN: YLQIAO 2004/12/06								
0 PLACES ±	APPR: SLOW 2004/12/07			THIRD ANGLE PROJECTION: 					
DRAFT WHERE APPLICABLE MUST REMAIN WITHIN DIMENSIONS		DRAWING: A3-SIZE							

PACKAGING OPTION PART NO.			CKT SIZE	VOID POSITION	PLATING TYPE	DIMENSION				
TRAY	BULK	TUBE WITHOUT CAP				A	B	F	M	P
---	87891-3101	---	31	---	1	78.74	76.20	11.30	5.84	2.97
---	87891-3102	---	31	---	2	78.74	76.20	11.30	5.84	2.97
---	87891-3103	---	31	---	3	78.74	76.20	11.30	5.84	2.97
---	87891-3104	---	31	---	4	78.74	76.20	11.30	5.84	2.97
---	87891-3105	---	31	---	5	78.74	76.20	11.30	5.84	2.97
---	87891-3106	---	31	---	6	78.74	76.20	11.30	5.84	2.97
---	87891-3201	---	32	---	1	81.28	78.74	11.30	5.84	2.97
---	87891-3202	---	32	---	2	81.28	78.74	11.30	5.84	2.97
---	87891-3203	---	32	---	3	81.28	78.74	11.30	5.84	2.97
---	87891-3204	---	32	---	4	81.28	78.74	11.30	5.84	2.97
---	87891-3205	---	32	---	5	81.28	78.74	11.30	5.84	2.97
---	87891-3206	---	32	---	6	81.28	78.74	11.30	5.84	2.97
---	87891-3301	---	33	---	1	83.82	81.28	11.30	5.84	2.97
---	87891-3302	---	33	---	2	83.82	81.28	11.30	5.84	2.97
---	87891-3303	---	33	---	3	83.82	81.28	11.30	5.84	2.97
---	87891-3304	---	33	---	4	83.82	81.28	11.30	5.84	2.97
---	87891-3305	---	33	---	5	83.82	81.28	11.30	5.84	2.97
---	87891-3306	---	33	---	6	83.82	81.28	11.30	5.84	2.97

PACKAGING OPTION PART NO.			CKT SIZE	VOID POSITION	PLATING TYPE	DIMENSION				
TRAY	BULK	TUBE WITHOUT CAP				A	B	F	M	P
---	87891-3401	---	34	---	1	86.36	83.82	11.30	5.84	2.97
---	87891-3402	---	34	---	2	86.36	83.82	11.30	5.84	2.97
---	87891-3403	---	34	---	3	86.36	83.82	11.30	5.84	2.97
---	87891-3404	---	34	---	4	86.36	83.82	11.30	5.84	2.97
---	87891-3405	---	34	---	5	86.36	83.82	11.30	5.84	2.97
---	87891-3406	---	34	---	6	86.36	83.82	11.30	5.84	2.97
---	87891-3501	---	35	---	1	88.90	86.36	11.30	5.84	2.97
---	87891-3502	---	35	---	2	88.90	86.36	11.30	5.84	2.97
---	87891-3503	---	35	---	3	88.90	86.36	11.30	5.84	2.97
---	87891-3504	---	35	---	4	88.90	86.36	11.30	5.84	2.97
---	87891-3505	---	35	---	5	88.90	86.36	11.30	5.84	2.97
---	87891-3506	---	35	---	6	88.90	86.36	11.30	5.84	2.97
---	87891-3611	---	36	---	1	91.44	88.90	11.30	5.84	2.97
---	87891-3602	---	36	---	2	91.44	88.90	11.30	5.84	2.97
---	87891-3603	---	36	---	3	91.44	88.90	11.30	5.84	2.97
---	87891-3604	---	36	---	4	91.44	88.90	11.30	5.84	2.97
---	87891-3605	---	36	---	5	91.44	88.90	11.30	5.84	2.97
---	87891-3606	---	36	---	6	91.44	88.90	11.30	5.84	2.97

DOCUMENT STATUS | P1 | RELEASE DATE | 2021/10/11 11:53:25

THIS DRAWING CONTAINS INFORMATION THAT IS PROPRIETARY TO MOLEX ELECTRONIC TECHNOLOGIES, LLC AND SHOULD NOT BE USED WITHOUT WRITTEN PERMISSION		CURRENT REV DESC:		molex	
DIMENSION UNITS	SCALE	EC NO: 679909			
mm	NTS	DRWN: AKUMAR19 2021/10/08		CUSTOMER DRAWING	
GENERAL TOLERANCES (UNLESS SPECIFIED)		CHK'D: MRAMAKRISHNA 2021/10/11			
ANGULAR TOL ± 3.0 °		APPR: MRAMAKRISHNA 2021/10/11		PRODUCT CUSTOMER DRAWING	
4 PLACES ±	INITIAL REVISION:		DOCUMENT NUMBER		DOC TYPE
3 PLACES ±	DRWN: YLQIAO 2004/12/06		SD-87891-013		PSD
2 PLACES ± 0.2	APPR: SLOW 2004/12/07		SERIES		DOC PART
1 PLACE ±	THIRD ANGLE PROJECTION		87891		REVISION
0 PLACES ±	DRAWING		MATERIAL NUMBER		001
DRAFT WHERE APPLICABLE MUST REMAIN WITHIN DIMENSIONS		SHEET NUMBER		7 OF 8	
		A3-SIZE		GENERAL MARKET	

