

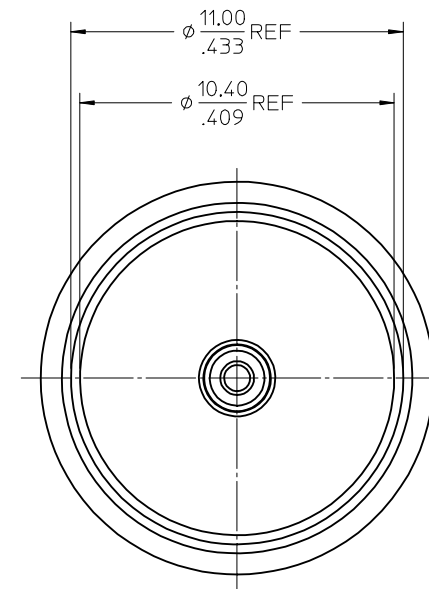
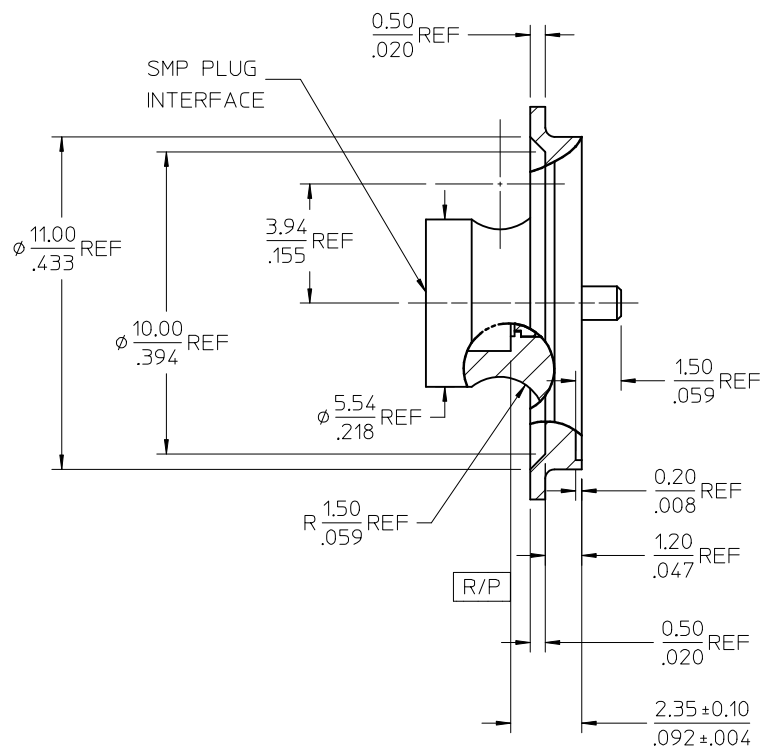
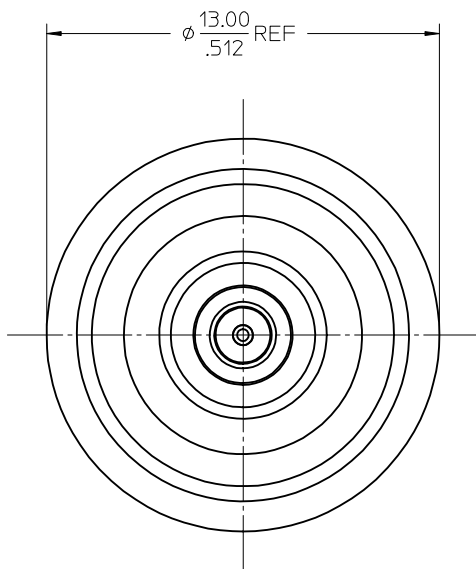
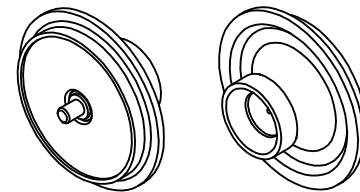
MATERIALS AND FINISHES:

BODY, CONTACT: BRASS  
 PLATED: GOLD (30μ-in MIN)  
 OVER NICKEL (100μ-in MIN)

INSULATOR: PTFE

O-RING: SILICON RUBBER

SEALED TO 1x10e-3 CC HELIUM/SEC



PART # 73415-5270

PS-89675-3320		PRODUCT SPECIFICATION	CHG: ADD DIMENSION 2.35/.092 IN C5 ZONE, UPD MATERIALS AND FINISHES NOTE. EC NO: URF-2017-0403 DRWINAPRAKASH01 2017/06/08 CHKD:888 2017/06/08 APPR:AROBERTSON 2017/06/29	QUALITY SYMBOLS ∇=0 ∇=0 ∇=0	GENERAL TOLERANCES (UNLESS SPECIFIED) mm INCH 4 PLACES ± --- ± --- 3 PLACES ± --- ± .010 2 PLACES ± 0.25 ± --- 1 PLACE ± --- ± --- 0 PLACE ± --- ± --- ANGULAR ± 2 ° DRAFT WHERE APPLICABLE MUST REMAIN WITHIN DIMENSIONS	DIMENSION STYLE MM/IN DRAWN BY DATE TEF 2005/03/01 CHECKED BY DATE SSS 2005/03/01 APPROVED BY DATE GMH 2005/03/01 MATERIAL NO. 734155270	SCALE DESIGN UNITS METRIC THIRD ANGLE PROJECTION TITLE SMP PLUG,PCB,WITH O'RING 50 OHMS, EWR-2185 SMP-P/PCB <b>molex</b> DOCUMENT NO. SD-73415-527	SHEET NO. 1 OF 1
MIL-STD-348B, FIG. 326.5		INTERFACE						
SPECIFICATION		DESCRIPTION						