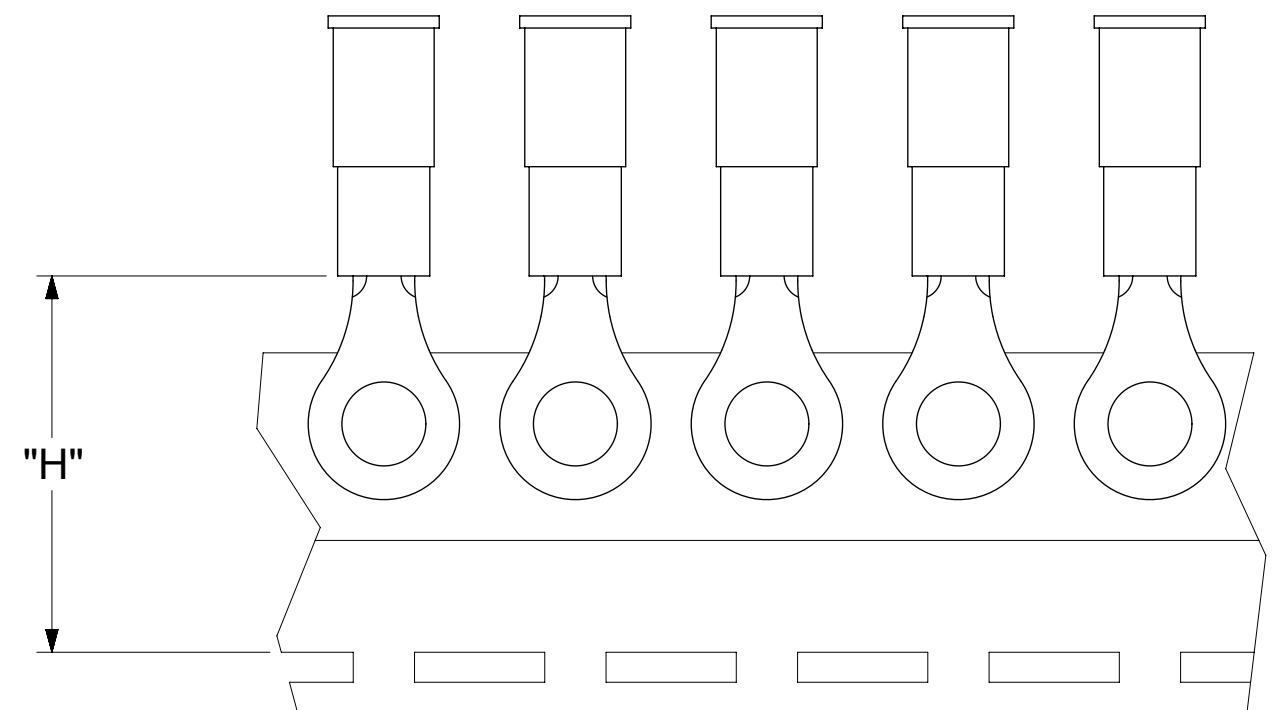
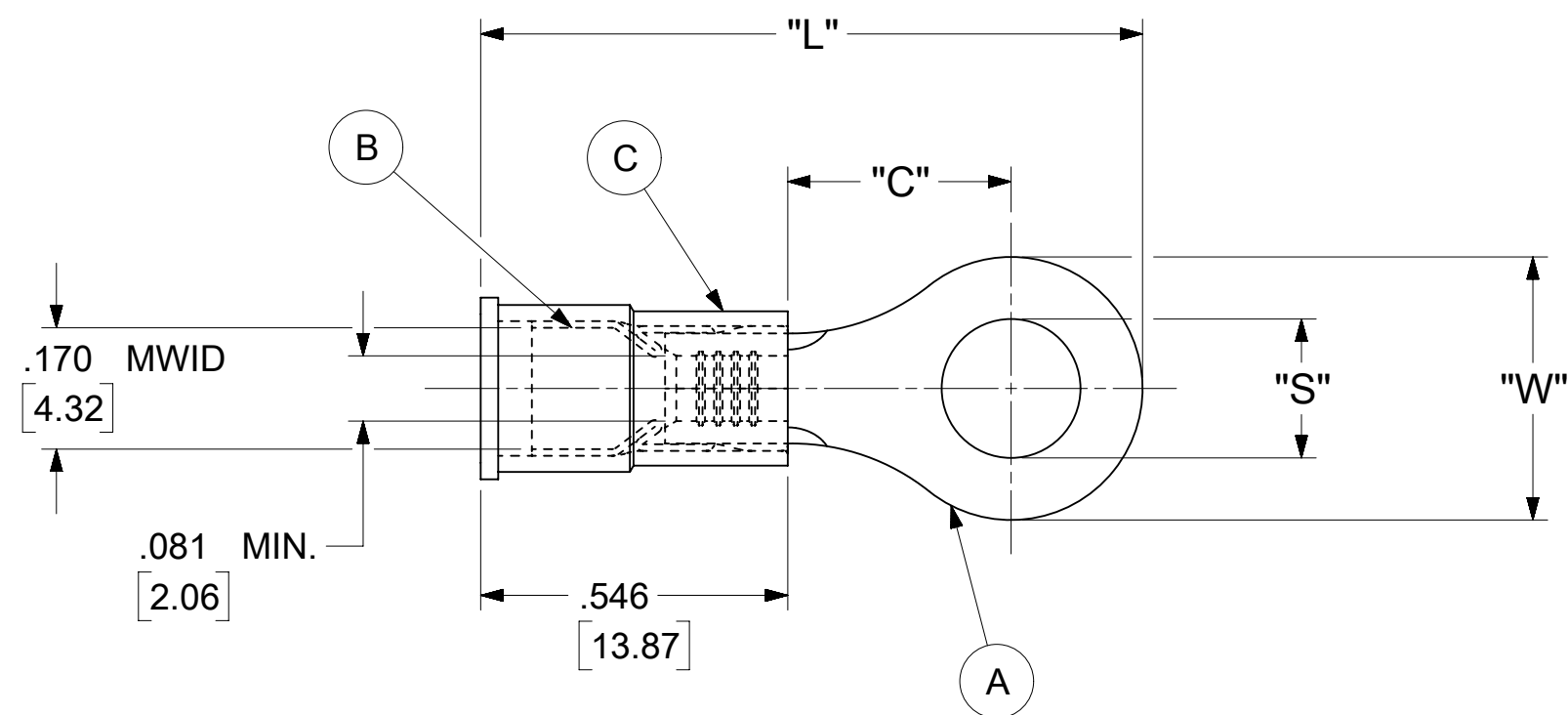


LOOSE PIECE		TAPE MOUNTED		SPECIFICATIONS						
MATERIAL NUMBER	ENGINEERING NUMBER	MATERIAL NUMBER	ENGINEERING NUMBER	STUD SIZE	"S" ±.005 [0.13]	"W" ±.010 [0.25]	"C" MIN.	"L" MAX.	"H"	STOCK ±.001 [0.025] THICKNESS
190570046	B-518-38	---	---	38	.390 [9.91]	.534 [13.56]	.554 [14.07]	1.407 [35.74]	---	.031 [0.79]
190570048	B-518-56	---	---	56	.328 [8.33]					
190570052	B-523-04	---	---	4	.119 [3.02]	.250 [6.35]	.209 [5.31]	.931 [23.65]	.980 [24.89]	.031 [0.79]
190570054	B-523-06	190570055	B-523-06T	6	.146 [3.71]					
190570056	B-523-08	190570057	B-523-08T	8	.173 [4.39]					
190570060	B-525-14	---	---	14	.265 [6.73]	.467 [11.86]	.388 [9.86]	1.208 [30.68]	---	.031 [0.79]
190570062	B-525-56	---	---	56	.328 [8.33]					
190570086	B-537-04	---	---	4	.119 [3.02]	.312 [7.92]	.285 [7.24]	1.022 [25.96]	---	.031 [0.79]
190570088	B-537-06	---	---	6	.146 [3.71]					
190570090	B-537-08	---	---	8	.173 [4.39]					
190570093	B-537-10	---	---	10	.198 [5.03]					
190570100	B-539-08	---	---	8	.173 [4.39]	.342 [8.69]	.310 [7.87]	1.067 [27.10]	---	.031 [0.79]
190570102	B-539-10	---	---	10	.198 [5.03]					



PARTS ON TAPE

NOTES:

- MATERIAL:
  - (A). RING TONGUE TERMINAL: COPPER  
PLATING: ELECTRO-TIN (.0003 MIN.)
  - (B). TIN-PLATED BRASS FUNNEL FERRULE
  - (C). INSULATION: NYLON (BLUE)
- MWID: MAXIMUM WIRE INSULATION DIAMETER
- WIRE SIZE: 16 -14 AWG  
1.0 -2.5 MM<sup>2</sup>
- ALL DIMENSIONS IN INCHES/[MM].
- PARTS ARE ROHS COMPLIANT.
- DIMS. SHOWN ARE FOR REFERENCE ONLY.

SYMBOLS	THIS DRAWING CONTAINS INFORMATION THAT IS PROPRIETARY TO MOLEX ELECTRONIC TECHNOLOGIES, LLC AND SHOULD NOT BE USED WITHOUT WRITTEN PERMISSION										
	DIMENSION UNITS	SCALE		CURRENT REV DESC: MIGRATION TO ECTR/NX							
▽ = 0	INCH/MM	NTS		EC NO: 620952							
∇ = 0	GENERAL TOLERANCES (UNLESS SPECIFIED)			DRWN: ABENJAMINLW 2019/06/14						PRODUCT CUSTOMER DRAWING	
∇ = 0		MM	INCH	CHK'D: GROJAS01 2019/07/19						DOCUMENT NUMBER	
∇ = 0	4 PLACES	± ---	± ---	APPR: JMACNEIL 2019/08/05						190570042	
∇ = 0	3 PLACES	± ---	± .005	INITIAL REVISION:						DOC TYPE   DOC PART   REVISION	
∇ = 0	2 PLACES	± 0.13	± .01	DRWN: KO 1984/11/12						PSD   000   A	
∇ = 0	1 PLACE	± 0.25	± ---	APPR: JMACNEIL 2019/08/05						MATERIAL NUMBER   CUSTOMER	
∇ = 0	0 PLACES	± ---	± ---	ANGULAR TOL ± 0.5 °						19057	
∇ = 0	DRAFT WHERE APPLICABLE MUST REMAIN WITHIN DIMENSIONS			THIRD ANGLE PROJECTION		DRAWING		SERIES		SHEET NUMBER	
∇ = 0				C-SIZE		19057		SEE TABLE		GENERAL MARKET   1 OF 1	

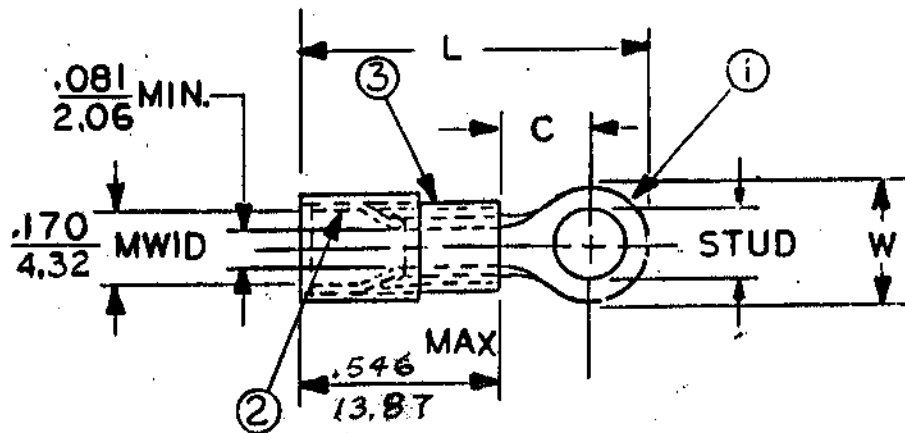
**NOTES:**

- ① MAT'L: COPPER (STOCK TKN.  $\frac{.031}{.79} \pm .001$ )  
PLATING: ELECTRO TIN (.0003 MIN)
- ② TIN-PLATED BRASS FUNNEL FERRULE
- ③ NYLON INSULATION (COLOR CODED BLUE)

**STUD SIZES: ( $\pm .005$ )**

- 02 = .094
- 04 = .119
- 06 = .146
- 08 = .173
- 10 = .198
- 14 = .265
- 56 = .328
- 38 = .390

"UL" LISTING #E32244  
"CSA" LISTING #18689



WIRE SIZE: 16-14 AWG  
1.0-2.5 MM<sup>2</sup>

ALL DIMENSIONS =  $\frac{\text{INCHES}}{\text{MM}}$  (MWID) = DENOTES MAXIMUM WIRE INSULATION DIAMETER

PART NUMBER	"W" $\pm .010$	"C" MIN.	"L" MAX.				AVAILABLE STUD SIZES
B-518-	$\frac{.534}{13.56}$	$\frac{.554}{14.07}$	$\frac{1.407}{35.74}$				10, 14, 56, 38
B-523-	$\frac{.250}{6.35}$	$\frac{.209}{5.31}$	$\frac{.931}{23.65}$				02, 04, 06, 08
B-525-	$\frac{.467}{11.86}$	$\frac{.388}{9.86}$	$\frac{1.208}{30.68}$				10, 14, 56
B-539-	$\frac{.342}{8.69}$	$\frac{.310}{7.87}$	$\frac{1.067}{27.10}$				04, 06, 08, 10
B-537-	$\frac{.312}{7.92}$	$\frac{.285}{7.24}$	$\frac{1.022}{25.96}$				04, 06, 08, 10

DIMENSIONAL TOLERANCES UNLESS OTHERWISE SPECIFIED			REFERENCE	SCALE: NTS	DATE
FRAC.	DEC.	ANG.	REV. A 06/18/80 REV. B 1/6/93	DRWN. BY: K0	11-12-84
±	±	±		CHKD. BY: 6Z	11-30-84
				APPRD. BY:	

TITLE:  
RING TONGUE  
TERMINAL  
AVIKRIMP  
500-SERIES

**ETC** molex  
INCORPORATED

DWG. NO. **A** CUSTOMER DWG.