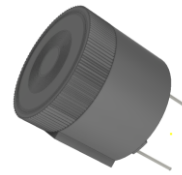




PUI audio



Data Sheet

X-2629-TWT-2-R

Features:

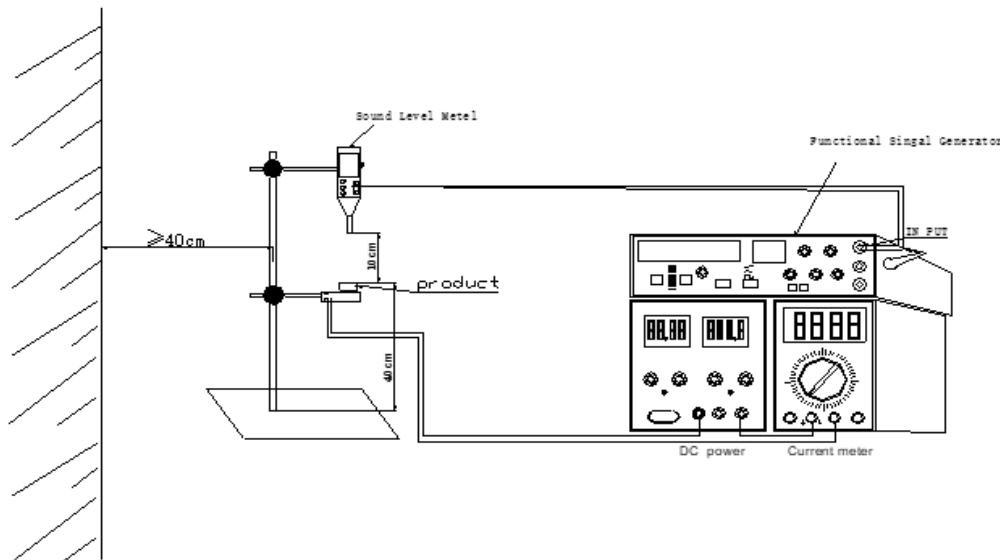
- High Output Piezo Indicator
- 12VDC rated, 2900Hz
- Top-Firing Thru-Hole Type

Specifications

Parameters	Values	Units
Rated Voltage	12	VDC
Operating Voltage Range	3 ~ 18	VDC
Current Draw at Rated Voltage	40	mA
Minimum SPL @ 10cm	106	dBA
Resonant Frequency	2,900 ± 500	Hz
Tone or Pulse Rate	Continuous	-
Housing Material	Noryl	-
Terminal Material	Sn Plated Copper	-
Weight	12	Grams
Acceptable Soldering Methods	Hand Solder	-
Environmental Compliances	RoHS/REACH	7c-1
Storage Temperature	-40 ~ +85	°C
Operating Temperature	-40 ~ +85	°C

Measurement Method (Temperature: 25±3°C; Relative Humidity: 60% ~ 70%)

Standard Test Fixture (Distance: 10cm, 12VDC)

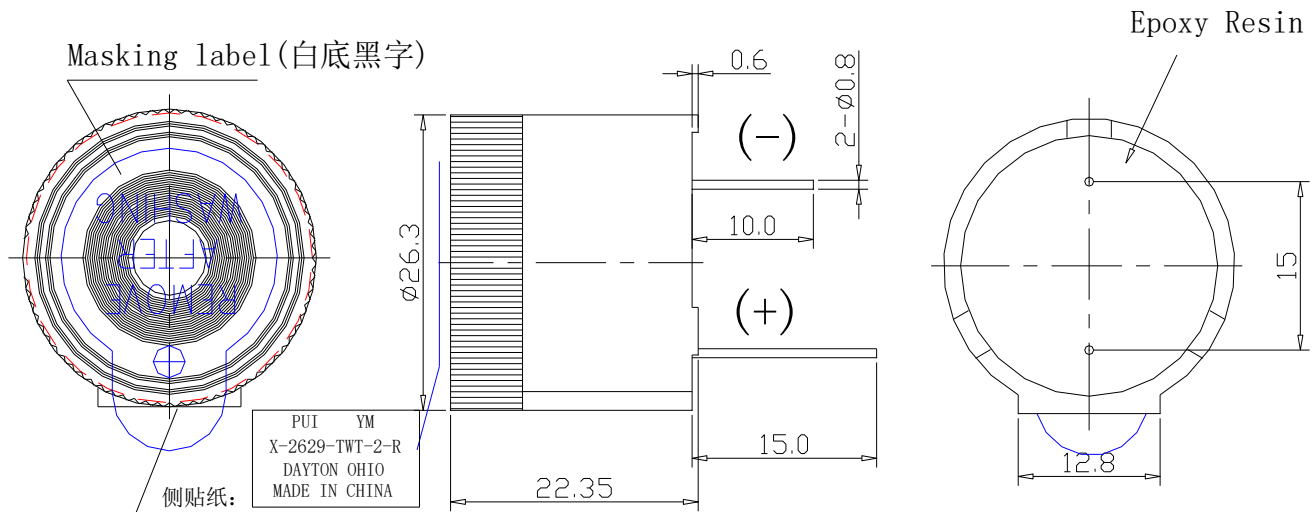


Reliability Testing

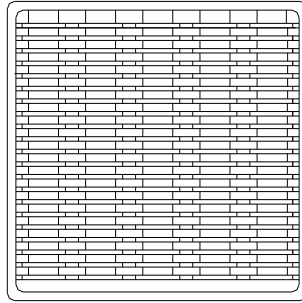
Type of Test	Test Specifications
High Temperature Test	Storage in $+85^{\circ}\text{C} \pm 2^{\circ}\text{C}$ test box for 96 hours, then expose to the room temperature for 2 hours without applying power.
Low Temperature Test	Storage in $-40^{\circ}\text{C} \pm 2^{\circ}\text{C}$ test box for 96 hours, then expose to the room temperature for 2 hours without applying power.
Humidity Test	Storage in $+40^{\circ}\text{C} \pm 2^{\circ}\text{C}$ 90-95%RH test box for 96 hours, then expose to the room temperature for 2 hours without applying power.
Temperature Cycle Testing	<p>Make this test for 5 cycles without applying power, then expose to the room temperature for 2 hours.</p>
Vibration Test	<p>Make this test for the directions of X, Y, Z for 2 hours each (total 6 hours)</p>
Solderability Test	Solder Temp 260C for 3 seconds.
Drop Test	Free drop a unit from the height 70cm to the surface of 10mm thick board, three directions (X, Y, Z).

Part shall pass tests within SPL of $\pm 5\text{dB}$.

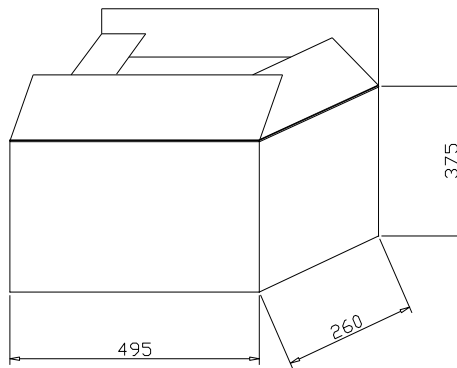
Dimensions



Packaging



6 × 5PCS=30PCS/box 每盒放6 × 5=30只



600PCS/CTN 每箱放600只

Specifications Revisions

Revision	Description	Date
A	RELEASED FROM ENGINEERING	9/16/2009
B	Update voltage range, temperature range, and dimensions	10/11/2022

Note:

1. Unless otherwise specified:
 - A. All dimensions are in millimeters.
 - B. Default tolerances are $\pm 0.5\text{mm}$ and angles are $\pm 3^\circ$.
2. Specifications subject to change or withdrawal without notice.