

SWT65 INSTRUCTION MANUAL

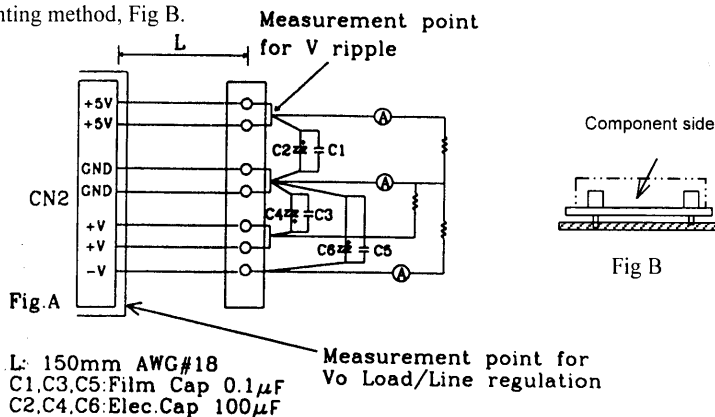
DWG.NO.: CA703-04-01C

SPECIFICATIONS

ITEMS	MODEL	SWT65-522			SWT65-525			SWT65-5FF			REV	
		CH1	CH2	CH3	CH1	CH2	CH3	CH1	CH2	CH3		
1	NOMINAL OUTPUT VOLTAGE	V	+5	+12	-12	+5	+12	-12	+5	+15	-15	
2	MIN. OUTPUT CURRENT	A	0.3	0	0	0.3	0	0	0.3	0	0	
3	MAX. OUTPUT CURRENT	A	6	2.5	0.5	6	2.5	0.5	6	1.8	0.5	
4	PEAK OUTPUT CURRENT	A	-	-	-	-	-	-	-	-	-	
5	MAX. OUTPUT POWER	W	66			62.5			64.5			
6	EFFICIENCY (TYP) (* 1)	-	72%									
7	INPUT VOLTAGE RANGE (* 2)	-	AC85 -132V , 170-265V(auto selectable), 47-63Hz									
8	INPUT CURRENT (TYP) (* 1)	-	1.71(Vin=100VAC) / 0.86(Vin=200VAC)									
9	INRUSH CURRENT (TYP)	-	30A / 100VAC, 30A / 200VAC (cold start , Ta=25°C)									
10	OUTPUT VOLTAGE	-	CHI +5V fixed, CH2,3 fixed Shipment condition: CH1: ±1% CH2(+12V): ±3% CH2(+15V):±5% CH3: ±5%									
11	MAX. RIPPLE & NOISE (* 3)	-	±5V: 120mV; ±12V: 150mV; ±15V: 150mV									
12	MAX. LINE REGULATION (*3,4)	-	CH1: 1%, CH2: 2%, CH3: 1%									
13	MAX. LOAD REGULATION (*3,5)	-	CH1: 2%, CH2: 4%, CH3: 2%									
14	MAX. TEMPERATURE DRIFT (*3,6)	-	0.04%/°C									
15	OVER CURRENT PROTECTION (* 7)	-	Automatic recovery, O.C.P point : 105% ~									
16	OVER VOLTAGE PROTECTION (* 8)	-	6V ~ (CH1 only)									
17	HOLD - UP TIME (TYP) (* 1)	-	17ms (Input 100 VAC)									
18	OPERATING TEMPERATURE (* 9)	-	Convection cooling 0-50°C:100% load; 60°C:70% load									
19	OPERATING HUMIDITY	-	30%-90%RH									
20	STORAGE TEMPERATURE	-	-20°C ~ +85°C									
21	STORAGE HUMIDITY	-	10%-95%RH									
22	COOLING	-	Convection cooling									
23	EMI	-	Conform to FCC-B, VCCI-2, EN55022B									
24	WITHSTAND VOLTAGE	-	I/P-O/P: 3kVAC(20mA), I/P-FG: 2.5kVAC(20mA), O/P-FG: 500VAC(100mA) for 1min									C
25	ISOLATION RESISTANCE	-	More than 100MΩ at Ta=25°C and 70%RH, Output - FG 500VDC									
26	VIBRATION	-	10 - 55Hz Amplitude (sweep 1min) Less than 19.6m/s ² X,Y,Z 1Hr each									C
27	SHOCK	-	less than 196.1m/s ²									C
28	OUTPUT GROUNDING	-	All channels common ground (2 terminals)									
29	SAFETY	-	Conform to UL1950, CSA950, EN60950, DENTORI									
30	WEIGHT	-	350g									
31	SIZE (W*D*H)	m/m	88.9 x 152.4 x 45.0									
		inch	3.50 x 6.00 x 1.77 (3.15 x 4.80 mounting hole ø 3.5mm)									

NOTES:

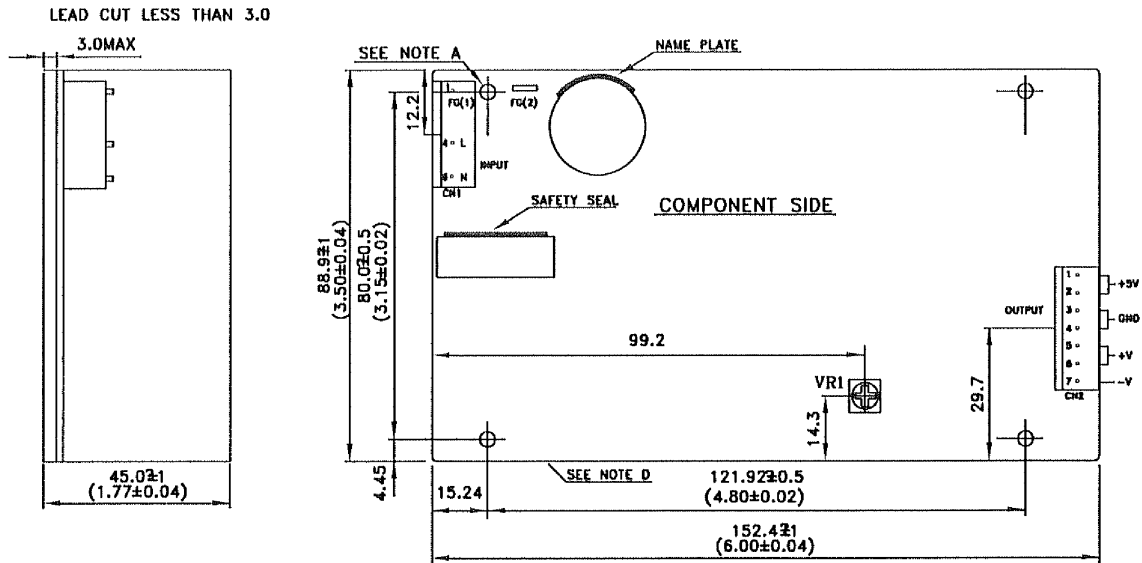
- *1: At 100VAC, 200VAC and MAX. OUTPUT POWER (Convection cooling), Ta=25°C.
- *2: For cases where conformance to various safety specs (UL,CSA, EN) are required to be described as 100-120VAC, 200-240VAC, 50/60 Hz on name plate.
- *3: Please refer to Fig A for measurement determination of line & load regulation and output ripple voltage.
- *4: From 85-132VAC / 170-265VAC, constant load.
- *5: From Min. load - Full load (Maximum power), constant input voltage.
- *6: From 0°C ~ +50°C, constant input voltage and load.
- *7: Current limiting with automatic recovery. Avoid to operate over load or dead short for more than 30 seconds.
- *8:Over voltage clamping by zener diode
- *9:At standard mounting method, Fig B.



SWT65 INSTRUCTION MANUAL

DWG.NO.CA703-04-02E

1.OUTLINE AND CONNECTION



CONNECTORS USED:

PART DESCRIPTION	CATALOG NO.	MANUFACTURER	QTY
PIN HEADER(INPUT SIDE CN1)	3414-30B	MOLEX	1
PIN HEADER(OUTPUT SIDE CN2)	3273-07A	MOLEX	1

RECOMMENDED HOUSING & TERMINAL PIN.

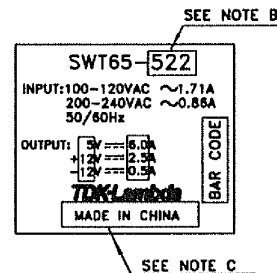
* NOT INCLUDED WITH THE PRODUCT.

SOCKET HOUSING (CN1)*1	5195-08	MOLEX	1
SOCKET HOUSING (CN2)*1	5195-07	MOLEX	1
TERMINAL PINS (CN1, 2)	5194PBT	MOLEX	10

HAND CRIMPING TOOL: 11-26-0038

MANUFACTURER: MOLEX

NAME PLATE



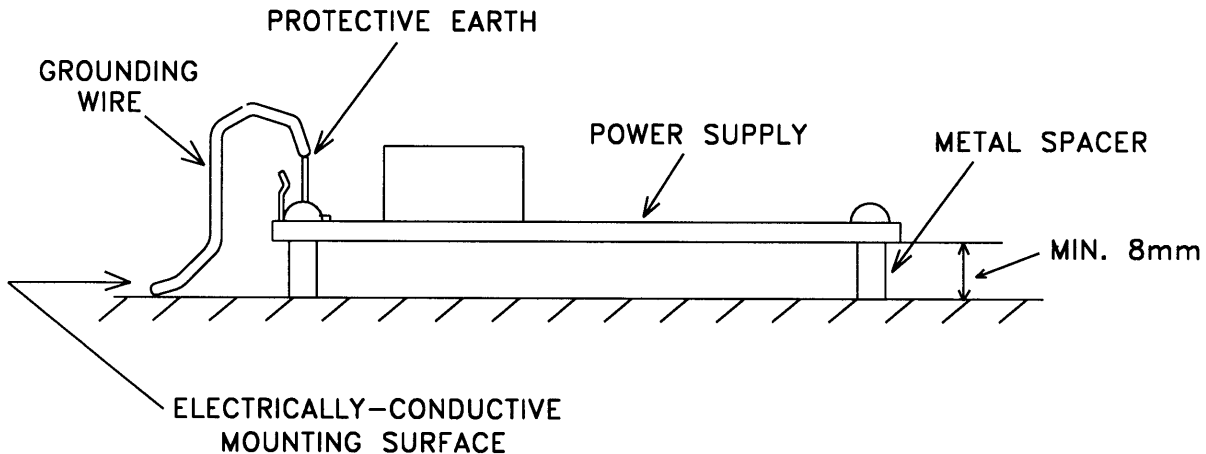
NOTES:

- A :THE 4 ϕ 3.5mm HOLES ARE CUSTOMER CHASSIS MOUNTING HOLES. ALL MUST BE SCREWED IN ORDER TO CONFORM TO THE EMI NOISE AND VIBRATION SPEC.. WASHERS ETC. USED MUST NOT EXCEED ϕ 6mm.
- B :MODEL NAME, NOMINAL OUTPUT VOLTAGE, MAXIMUM OUTPUT CURRENT ARE SHOWN HERE IN ACCORDANCE WITH THE SPECIFICATIONS.
- C :COUNTRY OF MANUFACTURE WILL BE SHOWN HERE.
- D :MINIMUM 4mm SPACING BETWEEN PCB EDGE, TOP OF POWER SUPPLY AND CUSTOMER CHASSIS.
- E :INPUT TERMINALS
N - NEUTRAL
L - LIVE(CONNECTED TO INTERNAL FUSE)
⊕ - GROUND (FOR PROTECTIVE EARTH CONNECTION)
- F :OUTPUT TERMINALS
+5V :CH1 OUTPUT TERMINAL
+V :CH2 OUTPUT TERMINAL
-V :CH3 OUTPUT TERMINAL
GND :CH1,CH2,CH3 GROUND TERMINAL
- G :VR1 IS THE VOLUME FOR ADJUSTING OUTPUT VOLTAGE OF CH1. CH1 IS ADJUSTED TO 5V (FIXED) DURING MASS PRODUCTION. DO NOT ADJUST UNNECESSARILY.
- H :FG(1) OR FG(2) IS FOR SAFETY GROUND CONNECTION. CAN USE ALTERNATIVE ONE.

SWT65 INSTRUCTION MANUAL

DWG.NO.CA703-04-03

INSTALLATION:



2. TO MEET SAFETY REQUIREMENTS, THE POWER SUPPLY TERMINALS MUST NOT BE USED DIRECTLY AS THE EXTERNAL TERMINATIONS OF ANY EQUIPMENT.

Recommended screw torque is 5kg.cm.

THIS PRODUCT MUST BE INSTALLED IN A RESTRICTED ACCESS LOCATION, ACCESSIBLE TO AUTHORISED COMPETENT PERSONNEL ONLY.

WHERE CSA APPROVED, CSA APPROVAL IS TO LEVEL 3.

3. PROTECTIVE EARTHING:

- 3.1 FOR SAFETY, ENSURE SECURE CONNECTION OF THE \oplus TERMINAL TO THE GROUND TERMINAL OF THE EQUIPMENT AS THE PROTECTIVE EARTH CONNECTION. SCREWS AND WASHERS USED MUST BE OF SUITABLE MATERIAL AS IN ANNEX J IN EN60950 STANDARD.

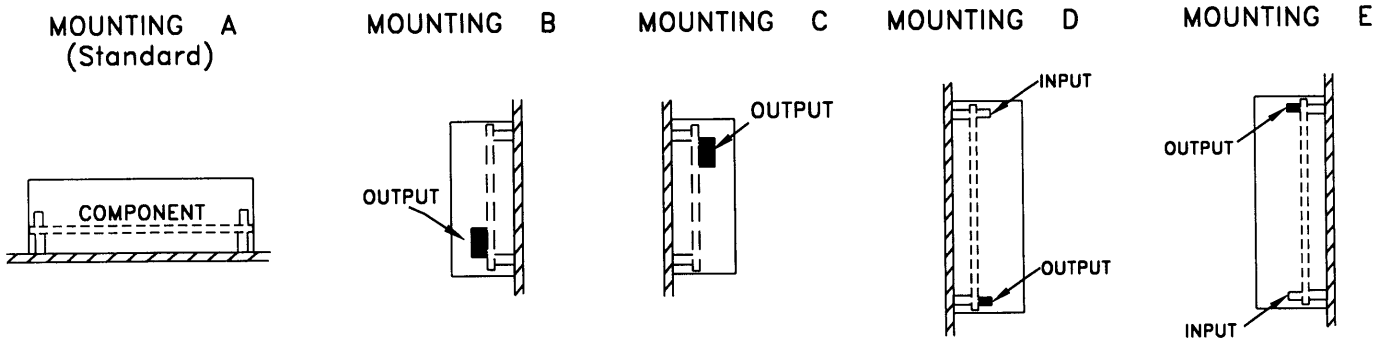
4. MOUNTING

- 4.1 FOR OPTIMUM NOISE PERFORMANCE, MOUNT THE POWER SUPPLY UNIT (PSU) ON AN ELECTRICALLY-CONDUCTIVE SURFACE
- 4.2 IF SPACER HEIGHT IS LESS THAN 8mm, BASIC INSULATION MUST BE PROVIDED BETWEEN THE PSU AND THE GROUNDED MOUNTING SURFACE.
- 4.3 EXCEPT FOR THE SOLDER OF THE PSU, A MINIMUM SPACING OF 4mm MUST BE MAINTAINED BETWEEN THE PSU AND EQUIPMENT CHASSIS.
- 4.4 THE PSU MUST BE INSTALLED WHERE EQUIPMENT VENTILATION ENSURE FREE CONVECTION COOLING.
- 4.5 AWG #24~#18 WIRES SHOULD BE USED FOR INPUT AND OUTPUT CONVECTION. TO IMPROVE NOISE PERFORMANCE, INPUT AND OUTPUT WIRES SHOULD BE WELL SEPARATED, BUT EACH PAIR SHOULD BE TWISTED TOGETHER.
- 4.6 RECOMMENDED SCREWS TORQUE IS 5Kg.cm.

SWT65 INSTRUCTION MANUAL

DWG.NO.CA703-04-04B

5. MOUNTING POSITION AND OUTPUT DERATING



OUTPUT DERATING

T _a (°C)	LOADING CONDITION (%)				
	MOUNTING A	MOUNTING B	MOUNTING C	MOUNTING D	MOUNTING E
0	100	100	100	100	100
20	100	100	100	100	100
40	100	90	80	90	90
50	100	80	80	80	80
60	70	60	60	60	60

FUSE:F1

RATING :250V T3.15AH

TYPE :TIME-LAG

AVOID USING FAST-BLOW TYPE.

FOR CONTINUED PROTECTION AGAINST RISK OF FIRE, REPLACE ONLY WITH SAME TYPE AND RATING OF FUSE.

CAUTION: CHANGE OF FUSE IS TO BE DONE BY AUTHORISED PERSONNEL ONLY.

VORSICHT: UBERLASSEN SIE WARTUNGSARBEITEN STETS DEM VON ZUGELASSENEN FACHMANN.

DO NOT TOUCH THE POWER SUPPLY HEATSINKS. THESE HEATSINKS MAY CARRY HAZARDOUS VOLTAGE WHEN THE POWER SUPPLY IS SWITCHED ON.

CE MARKING:

CE MARKING, WHEN APPLIED TO THE UNIT, INDICATES COMPLIANCE WITH THE LOW VOLTAGE DIRECTIVE (73/23/EEC). AS MODIFIED BY THE CE MARKING DIRECTIVE (93/68/EEC) IN THAT, IT COMPLIES WITH EN60950.