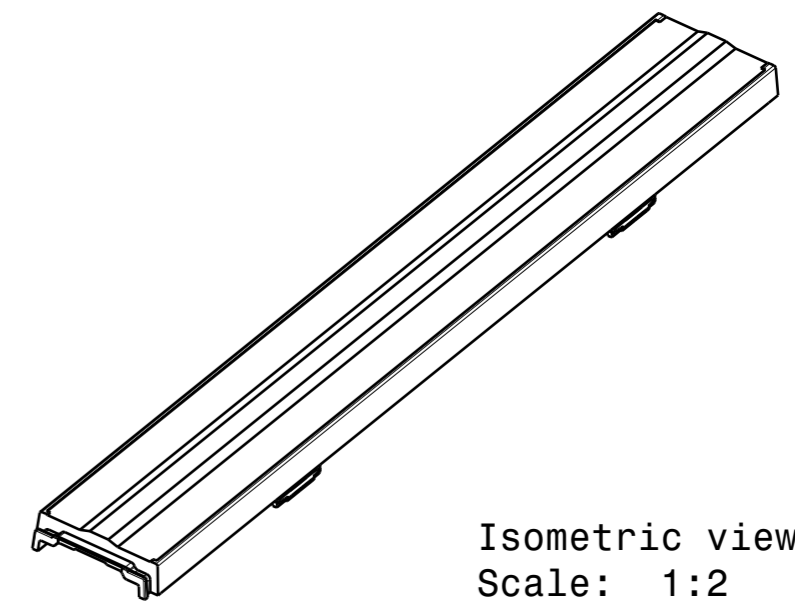
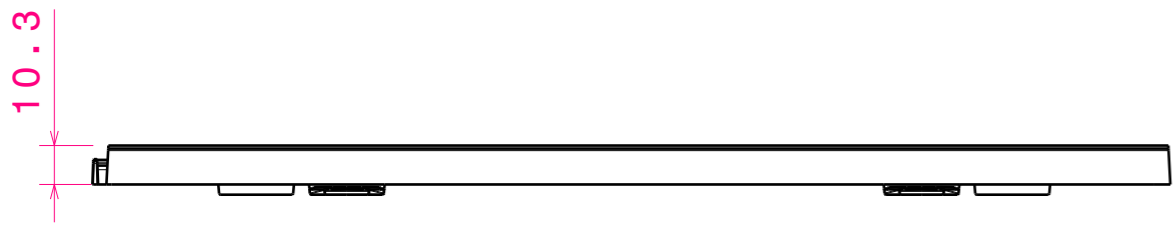


H G F E D C B A

4

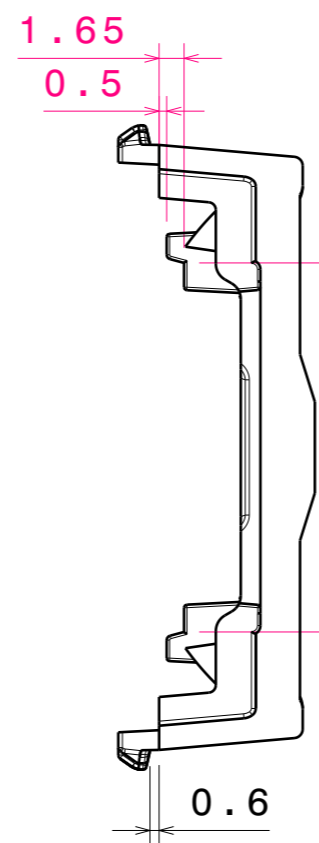
4



Isometric view  
Scale: 1:2

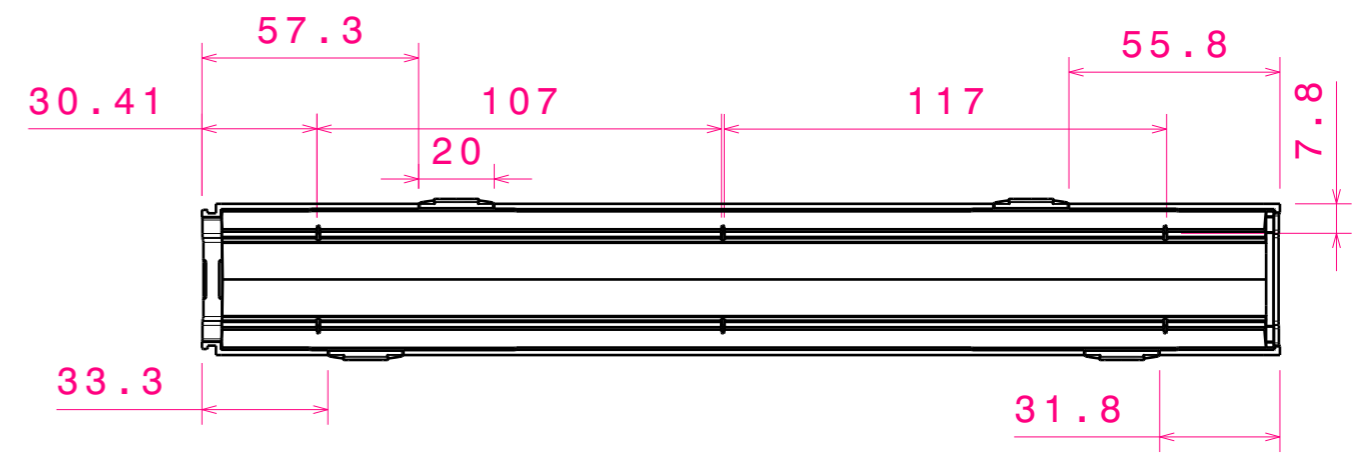
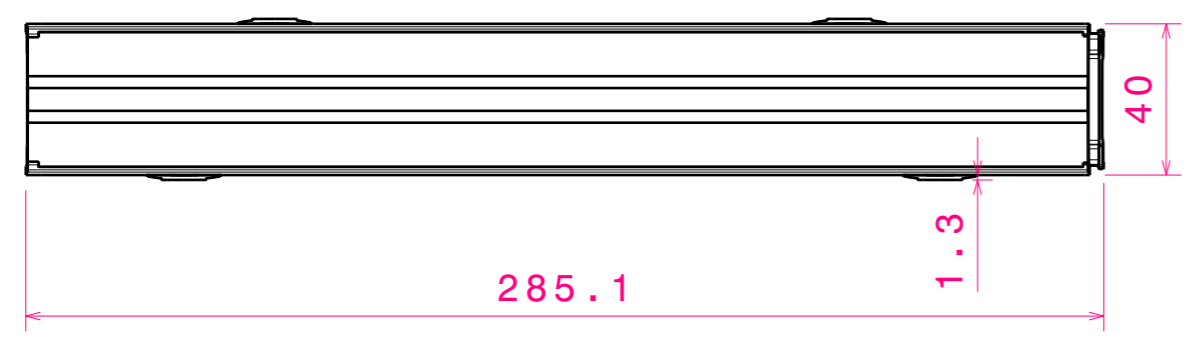
3

3



2

2



1

1

INDEX	PART NO	DESCRIPTION	MATERIAL	COLOUR
1	F15999	LINNEA-Z2T25-B	PC	clear

Tolerances if not otherwise shown  
According to DIN ISO 2768-1  
Linear measures:  
Up to 30mm class M, otherwise class C.  
According to DIN ISO 2768-2  
Form and position: class L

**LEDiL** LediL Oy  
Salorankatu 10  
FIN 24240 SALO  
Finland

THIRD ANGLE PROJECTION:

DRAWING TITLE  
**F15999\_LINNEA-Z2T25-B**

This drawing is the property  
of LEDiL Oy. It may not be  
~~reproduced, copied or~~  
communicated without a written  
agreement with LEDiL Oy.

SIZE	PART NUMBER
A3	F15999

SCALE	1:2	WEIGHT	43,1g	SHEET	1/1
-------	-----	--------	-------	-------	-----

H G B A