

REVISIONS			
REV	DESCRIPTION	DATE	APPROVED

PACKAGE DIMENSIONS (mm)

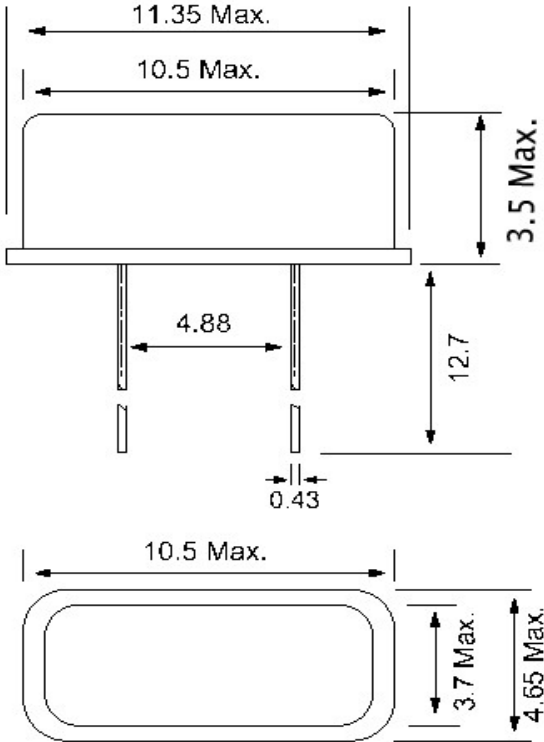


Figure 1) Side and Top Views

ELECTRICAL SPECIFICATIONS

Frequency: 20.00320 MHz
 Frequency Tolerance @ +25°C: ± 10 ppm Max.
 Frequency Stability -10 to +70°C: ± 10 ppm Max.
 Crystal Cut: AT Strip
 Load Capacitance (CL): 11.5 pF
 Recommended Drive Level: 500 µW Max.
 Effective Series Resistance: 30 Ω Max.
 Shunt Capacitance: 7 pF Max.
 Mode of Operation: Fundamental
 Aging: ± 5 ppm/year Max.
 Storage Temperature: -30 to +85°C
 Operating Temperature: -10 to +70°C
 Package Type: HC-49USX



ECS Part Number: ECS-200.032-CDX-0980

ECS INC. INTERNATIONAL 1105 S. Ridgeview Olathe, KS 66062 (913) 782-7787		
TITLE 20.0032 MHz Crystal, HC-49USX Pb Free/RoHS Compliant		
SIZE A	DWG NO. ECS-200.032-CDX-0980	REV
CAGE CODE: 1G8B7		SHEET 1 OF 1

SIGNATURES	DATE
DRN BL	2/28/2014
CHK RC	2/28/2014
APP DK	2/28/2014
Dimensions in mm	