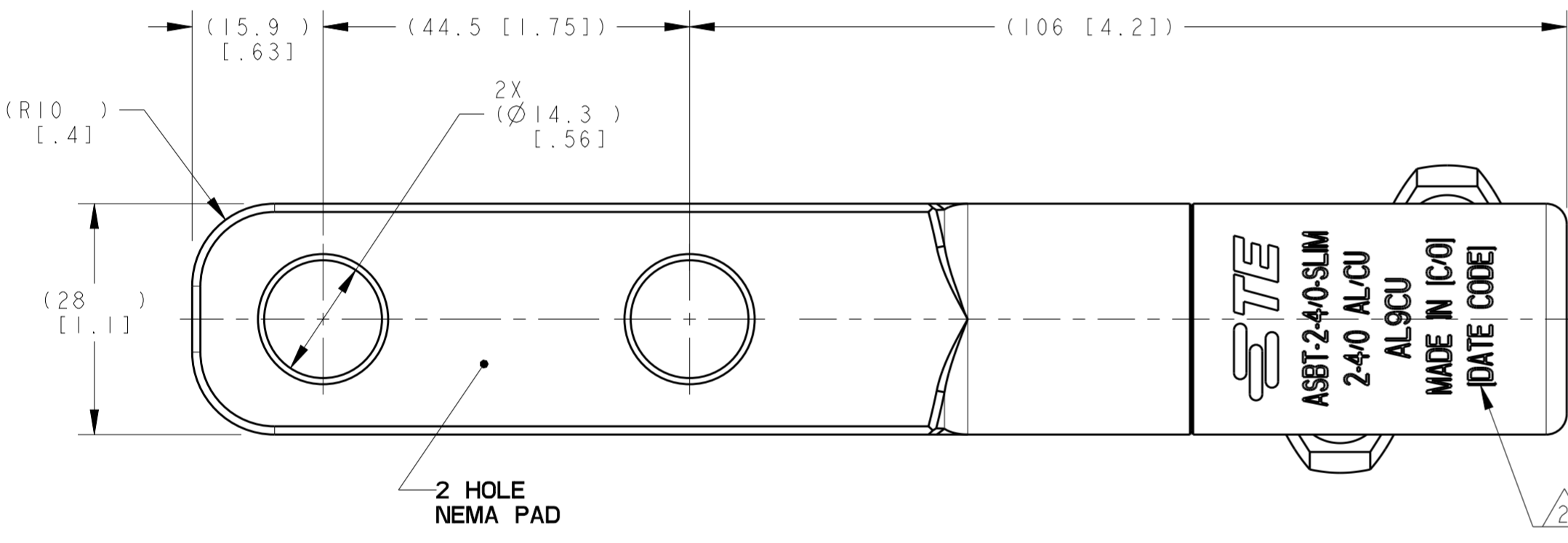
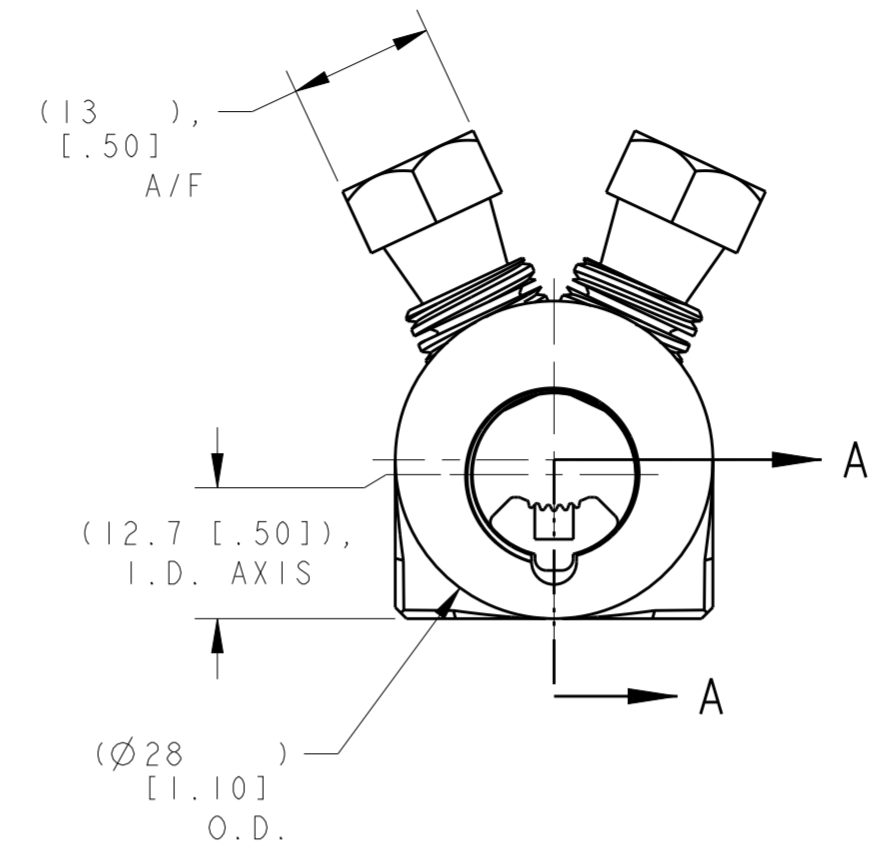
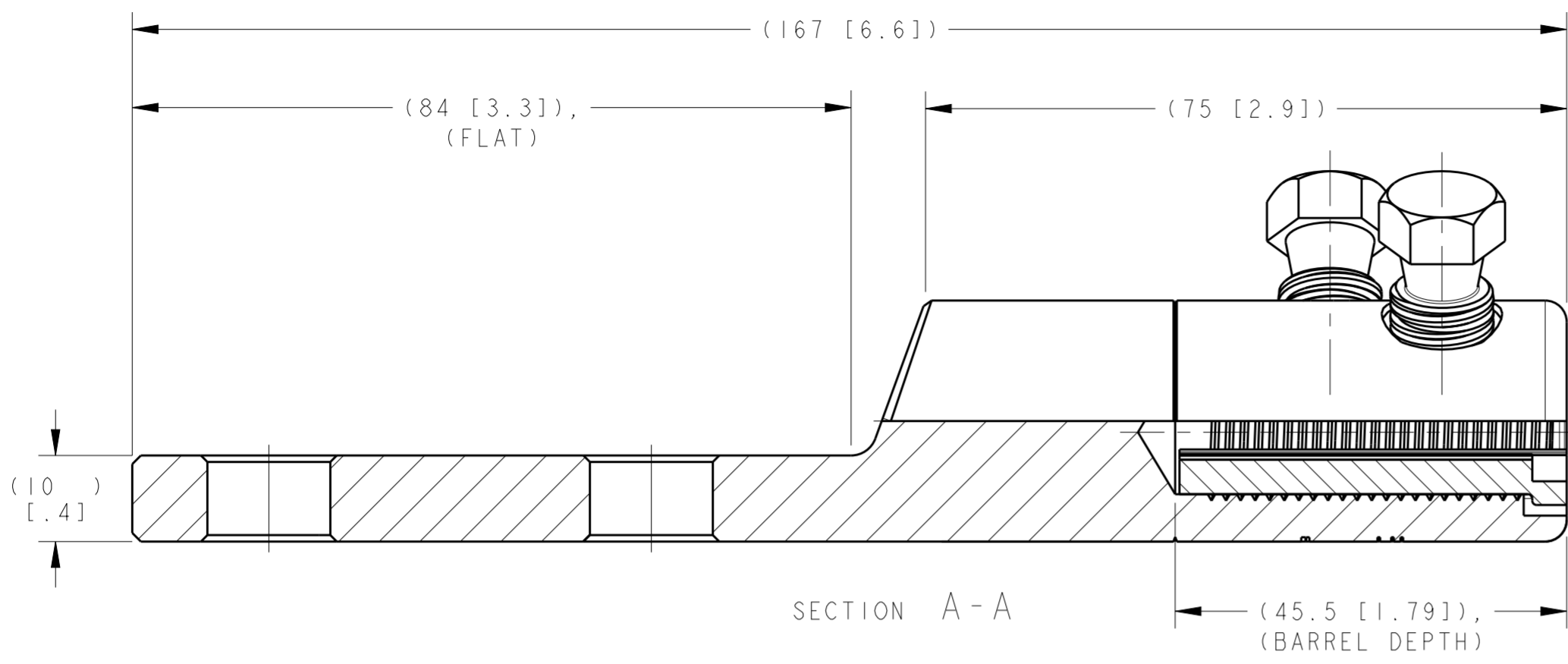


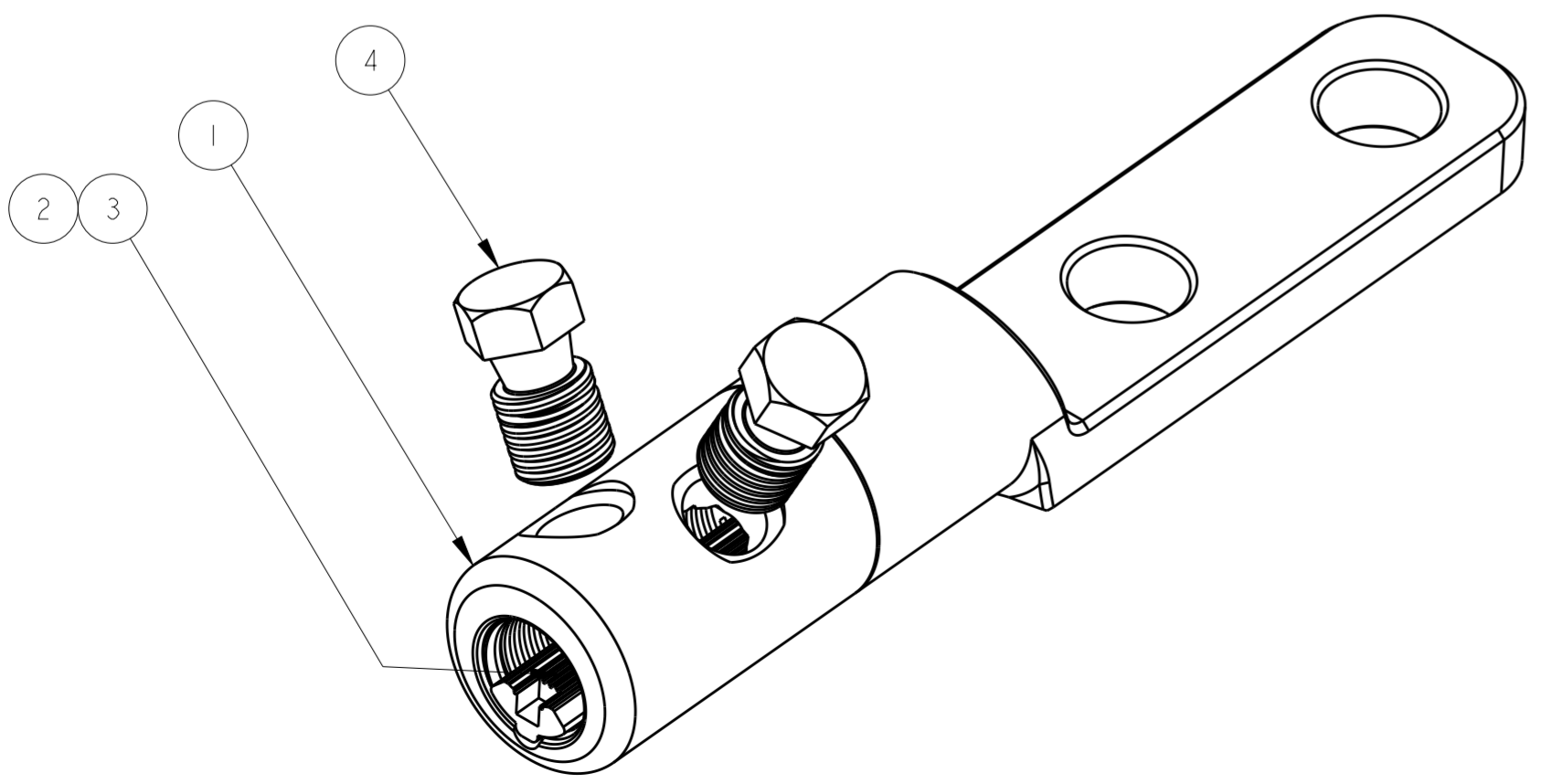
THIS DRAWING IS UNPUBLISHED. RELEASED FOR PUBLICATION 20
 © COPYRIGHT 20 BY - ALL RIGHTS RESERVED.

REVISIONS				
P	LTR	DESCRIPTION	DATE	APVD
A		INITIAL REL. PER LC20-0016-20	03FEB2020	DM BJ



- ACCOMMODATES:
#2 AWG SOL Ø6.55 (.258 DIA) TO
4/0 AWG STANDARD Ø13.41 [.528 DIA]
ALUMINUM OR COPPER CONDUCTORS.
- MARKING:
STE
ASBT-2-4/0-SLIM
2-4/0 AL/CU
AL9CU
MADE IN [COUNTRY OF ORIGIN]
[DATE CODE]
- ALL DIMENSIONS ARE FOR REFERENCE ONLY.
- CONNECTOR CONTAINS FACTORY APPLIED ANTI-OXIDE INHIBITOR.
- FINISH:
ELECTRO-TIN PLATED.
- INSTALL BOLTS WITH 1/2 inch HEX SOCKET.

ASBT-2-4/0-SLIM	2363968-1
CATALOG NO.	PART NO.



QTY	DESCRIPTION	ITEM NO
1	INSTALLATION INSTRUCTION SHEET, 408-10264	6
1	ABRASIVE TAPE	5
2	MULTI-SHEAR BOLT, M12, ALUMINUM ALLOY	4
A/R	INHIBITOR	3
1	INSERT, ALUMINUM ALLOY, TIN PLATED	2
1	TERMINAL CONNECTOR BODY, ALUMINUM ALLOY, TIN PLATED	1
PARTS LIST		

THIS DRAWING IS A CONTROLLED DOCUMENT.		DWN 12SEP2019 D. MURUGLAH	STE TE Connectivity	
DIMENSIONS: mm [INCH]		CHK 03FEB2020 S. RAHMAN		
TOLERANCES UNLESS OTHERWISE SPECIFIED:		APVD 03FEB2020 B. JOHNSON	NAME SHEARBOLT TERMINAL, SLIM PROFILE, ALUMINUM, #2 AWG - 4/0 AWG, 2 HOLE NEMA PAD	
0 PLC ±		PRODUCT SPEC	SIZE CAGE CODE DRAWING NO	
1 PLC ±		APPLICATION SPEC	A200779C-2363968	
2 PLC ±		WEIGHT	RESTRICTED TO	
3 PLC ±		CUSTOMER DRAWING	SCALE NTS SHEET OF REV A	
4 PLC ±				
ANGLES ±				
FINISH SEE BOM				