

- 10/100/1000 Base-T Gigabit for Ethernet Applications
- Designed to meet IEEE802.3af standards
- Operating Temp: 0°C to + 70°C
- Contact Factory for possible Industrial Temp version

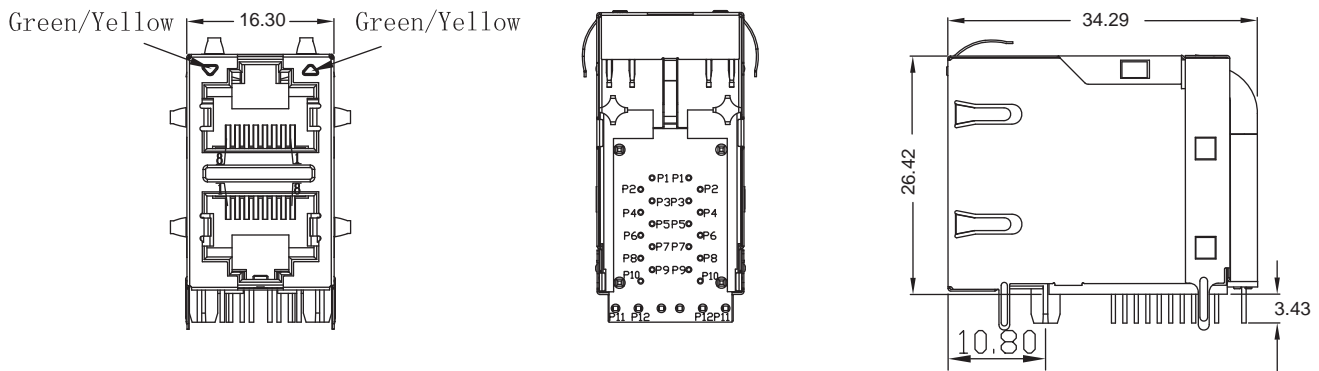
Electrical Specifications @ 25°C				
Part Number	OCL(uH Min) @ 100kHz, 0.1V	Turns Ratio chip: cable (± 5%)	Cross Talk (dB Min)	HI-POT
	With 8mA DC Bias		1-100MHz	PHY Side to Line Side
AR21-4159	350	1CT:1CT	-30	1500VAC

Electrical Specifications @ 25°C							
Part Number	Insertion Loss (dB Max)		Return Loss (dB Min) @ Load 100 Ohm				CMR (dB Min)
	1-100MHz	100-125 MHz	1-40MHz	40-60MHz	60-80MHz	80-100MHz	1-100MHz
AR21-4159	-1.0	-1.2	-16	-12	-10	-8	-30

All specifications subject to change without notice.

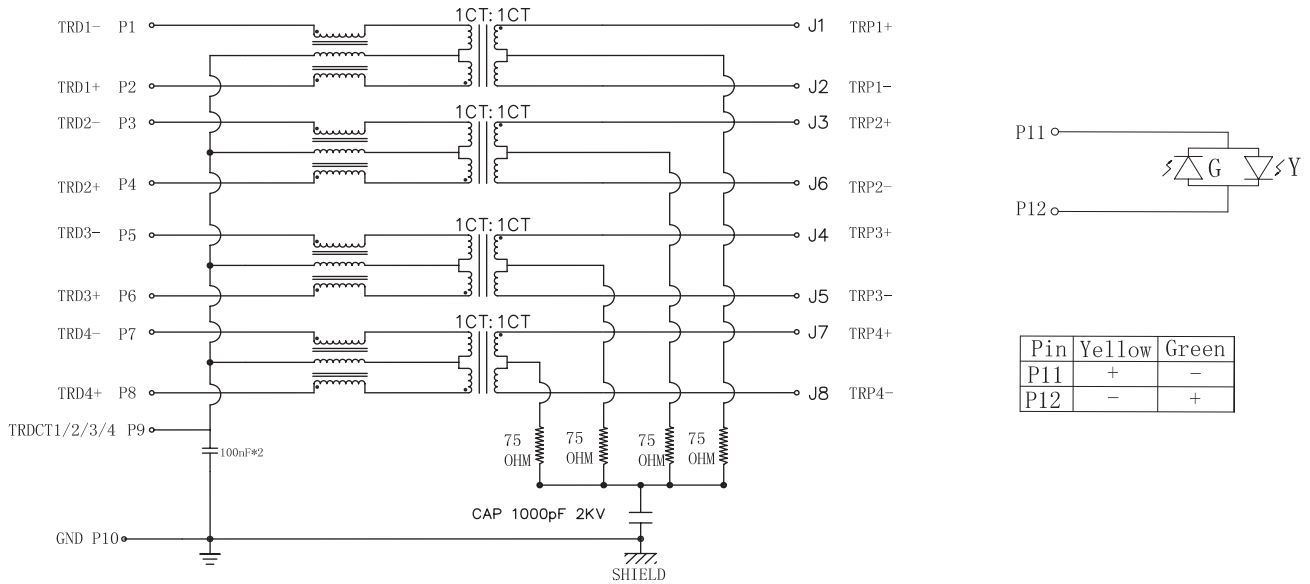
## MECHANICAL

UNIT : mm

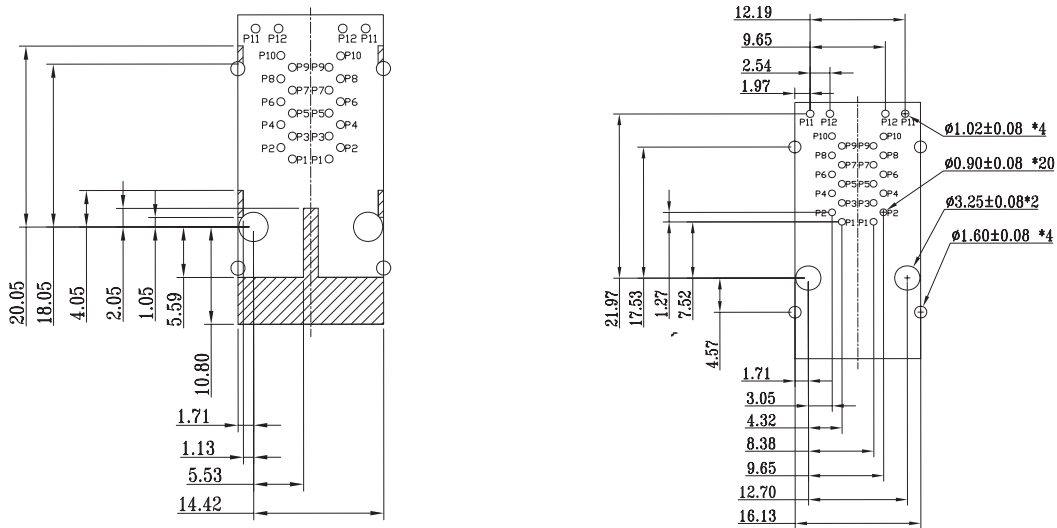




SCHMATICS



PCB LAYOUT



NOTES

CONTACT MATERIAL:  
 HOUSING: THERMOPLASTIC BLACK UL94 V-0  
 SHIELD: BRASS  
 SHIELD PLATING: NICKEL  
 CONTACT: PHOSPHOR BRONZE  
 CONTACT PLATING: SELECTIVE GOLD, 15 MICRO INCHES IN CONTACT AREA