

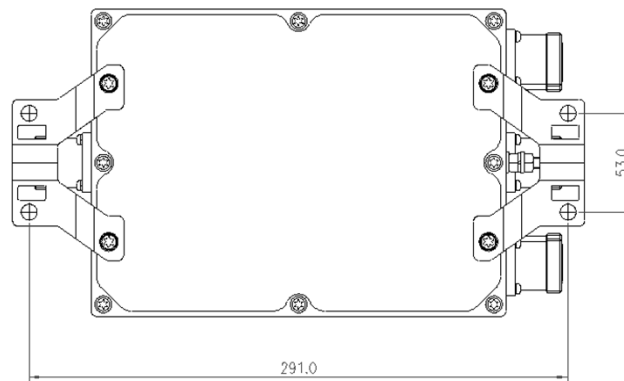
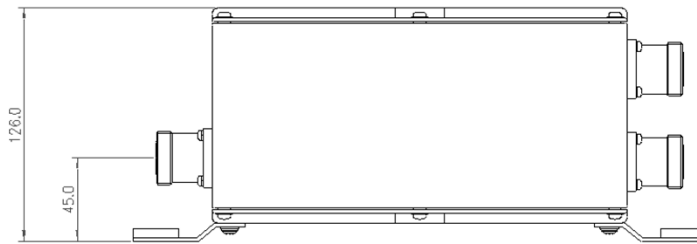
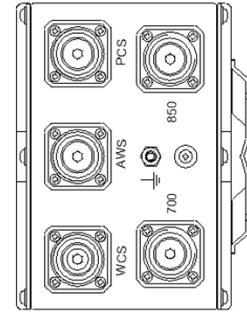
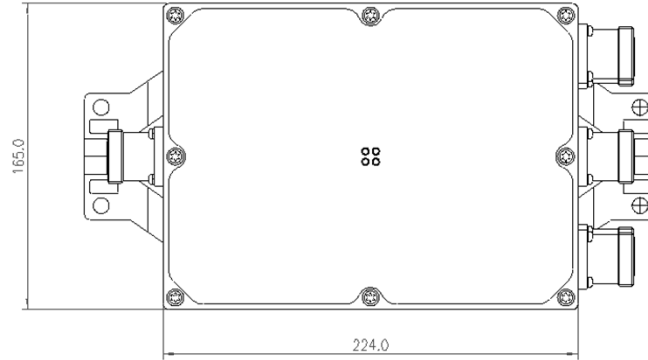
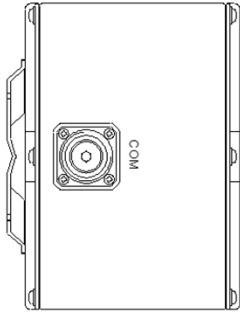
Electrical Specifications

| ITEM | SPECIFICATION | | | | |
|-----------------------|--------------------------------|-----------|------------|-----------------------------|-----------|
| | 700 | 850 | PCS | AWS1 & AWS3 | WCS |
| Frequency Range (MHz) | 698 ~ 787 | 817 ~ 896 | 1850 ~2000 | 1695~1780 & 2110~2180 | 2305~2360 |
| Insertion Loss | 0.5dB Max | | | | |
| Ripple | 0.3dB Max | | | | |
| Isolation | 50dB Min | | | | |
| Return Loss | 18dB Min | | | | |
| PIMD | 161dBc Min. @ 2x43dBm Input | | | | |
| Power | 100W CW Max per Port/ 3Kw Peak | | | | |
| DC/AISG | All Ports | | | | |
| Lightning Protection | ±5 kA, 8/20us | | | | |
| In/Out Impedance | 50 Ohms Nominal | | | | |

Environmental and Mechanical Specifications

| ITEM | SPECIFICATION |
|-----------------------|-------------------------------------|
| Operating Temperature | -30 to +70°C, IP65 |
| Dimension | 165.0 x 224.0 x 116.0 Max (unit:mm) |
| Mounting Points | Refer to Outline Drawing |
| RF Connector | 7/16 DIN Female Connector |
| Connector Position | See Outline Drawing |

Outline Drawing





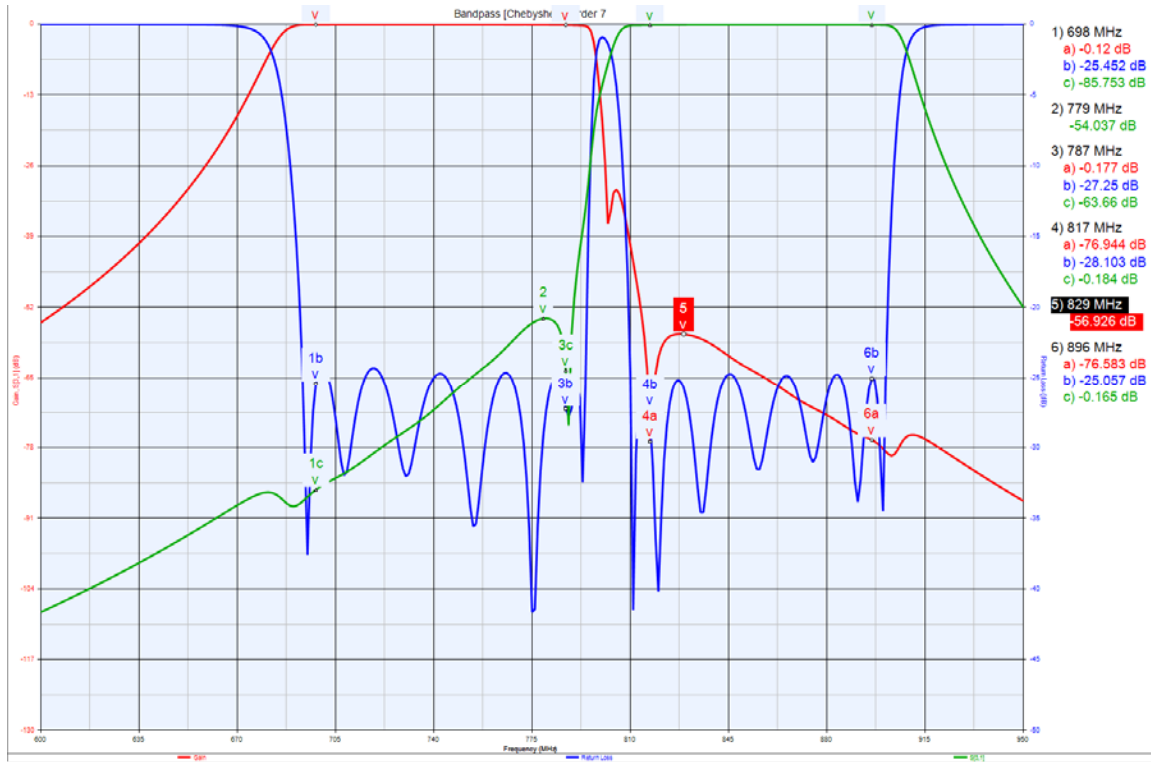
ANATECH ELECTRONICS INC
RF & Microwave Filters & Products

700 / 850 / PCS / AWS1 / AWS3 / WCS Cavity Multiplexer

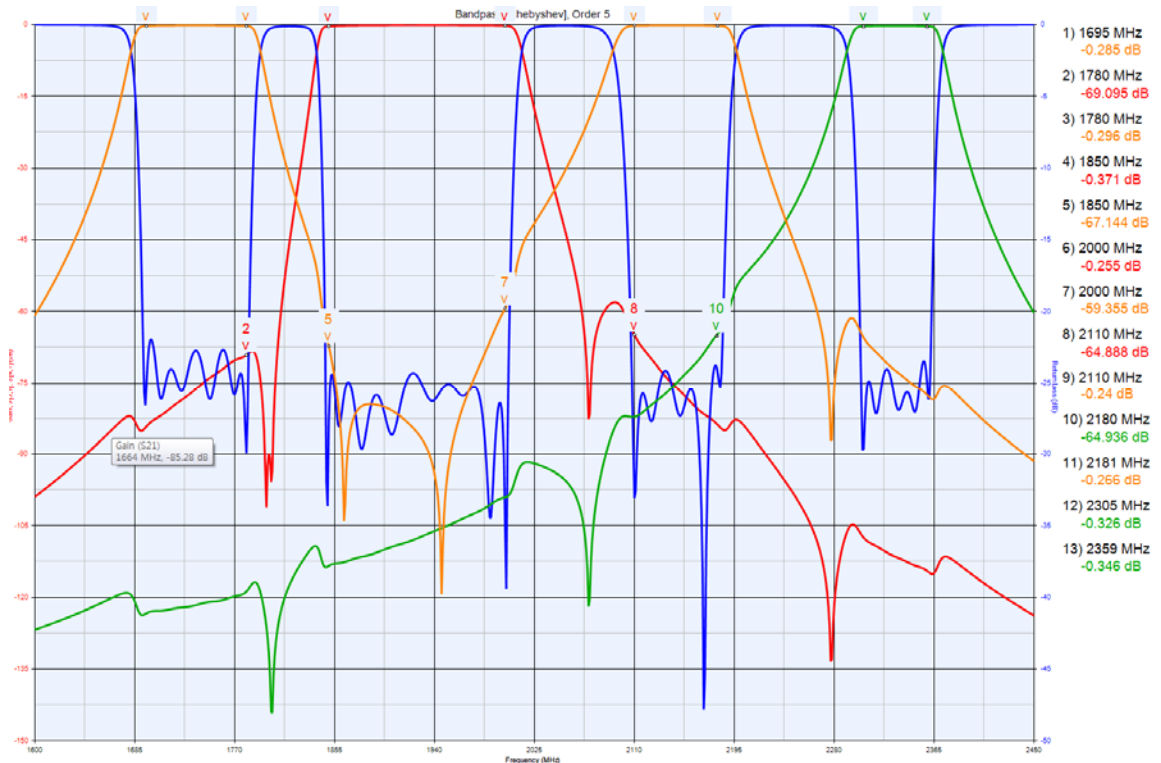


**Part Number:
AE700-850-1925-1727-2145-2332MP103**

Response Plots



700 MHz / 800 MHz



AWS / PCS / WCS