



**Electrical Specifications**

**Center Frequency:** 320 MHz  
**-3dB Pass Band:** 308-332 MHz Min  
**-50dB Bandwidth:** 85 MHz Max  
**Insertion Loss:** 3.0 dB Max at 320 MHz  
**In/Out VSWR:** 1.25:1 Max at 320 MHz  
**Stopbands:** >45 dB @ 280 MHz  
                   >45 dB @ 360 MHz

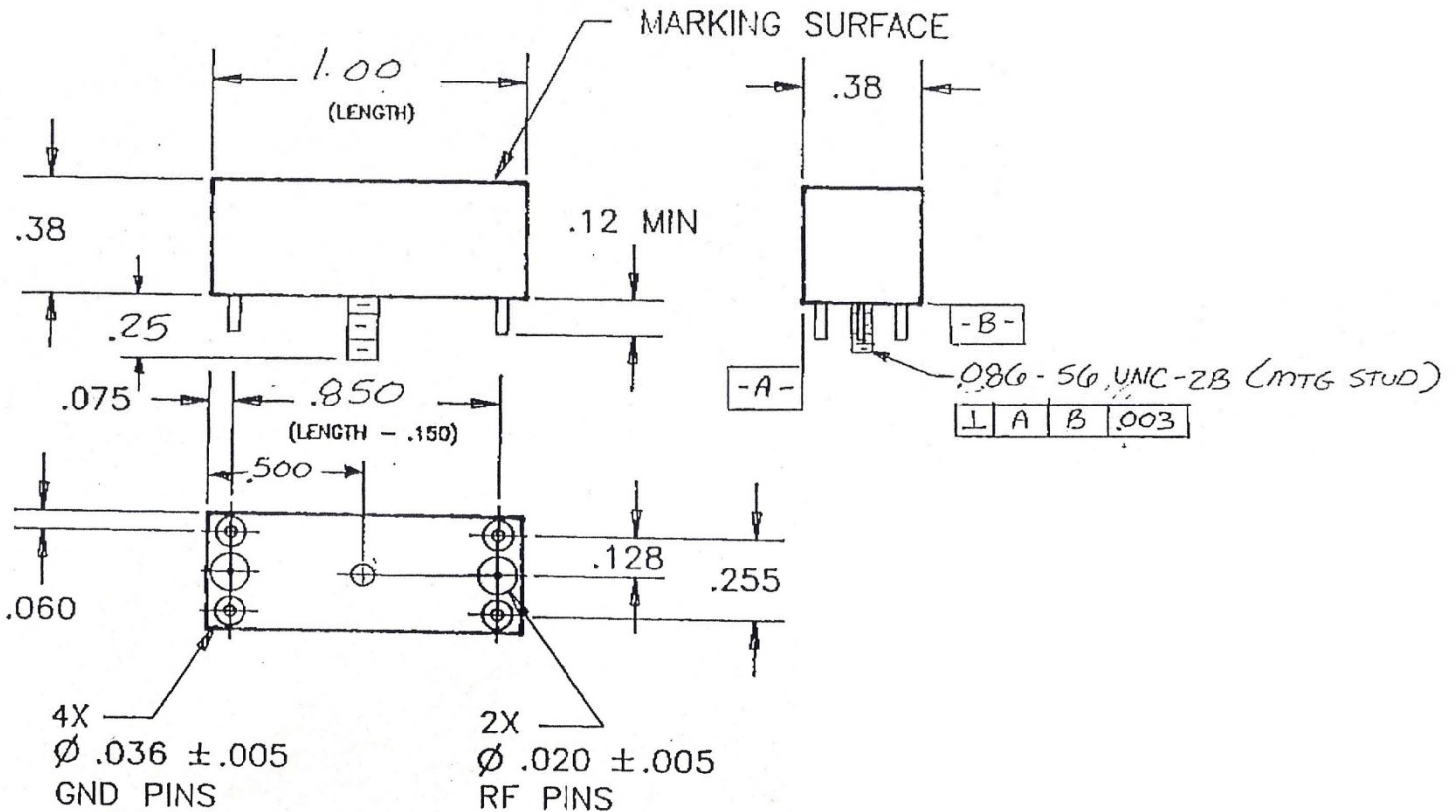
**Mechanical**

**Connector Type:** RF Pins  
**Dimensions:** 1.00 x 0.38 x 0.38 Inches

**Environmental**

**Operating Temperature:** -30 to +85° C  
**Storage Temperature:** -40 to +95° C  
**Shock:** 20 G. 11 ms  
**Vibration:** 20 G. 5 to 200 MHz

**Outline Drawing:**



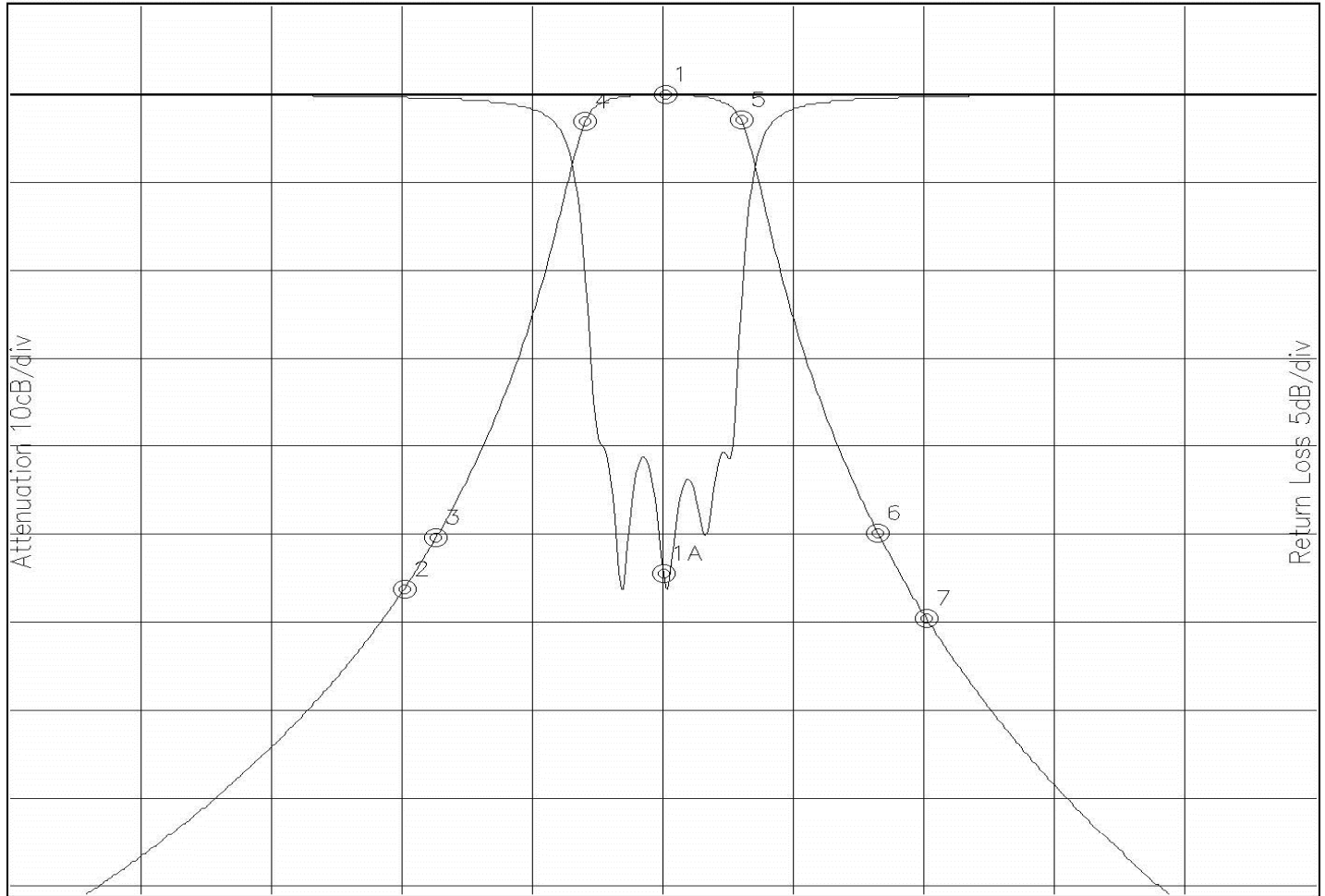


### Response Plot:

A510.lad

DEC 11, 2015

Attenuation/Return Loss



Attenuation Start: 220.0MHz Stop: 420.0MHz

Return Loss Start: 220.0MHz Stop: 420.0MHz

Offset -2.826dB

Marker 1 Freq 320.16MHz Atten 0.068dB  
 Marker 2 Freq 280.09MHz Atten -56.000dB  
 Marker 3 Freq 284.94MHz Atten -50.284dB  
 Marker 4 Freq 307.88MHz Atten -3.023dB  
 Marker 5 Freq 331.79MHz Atten -2.905dB  
 Marker 6 Freq 352.79MHz Atten -49.763dB  
 Marker 7 Freq 360.22MHz Atten -59.391dB

Marker 1A Freq 319.83MHz Ret Loss -27.221dB