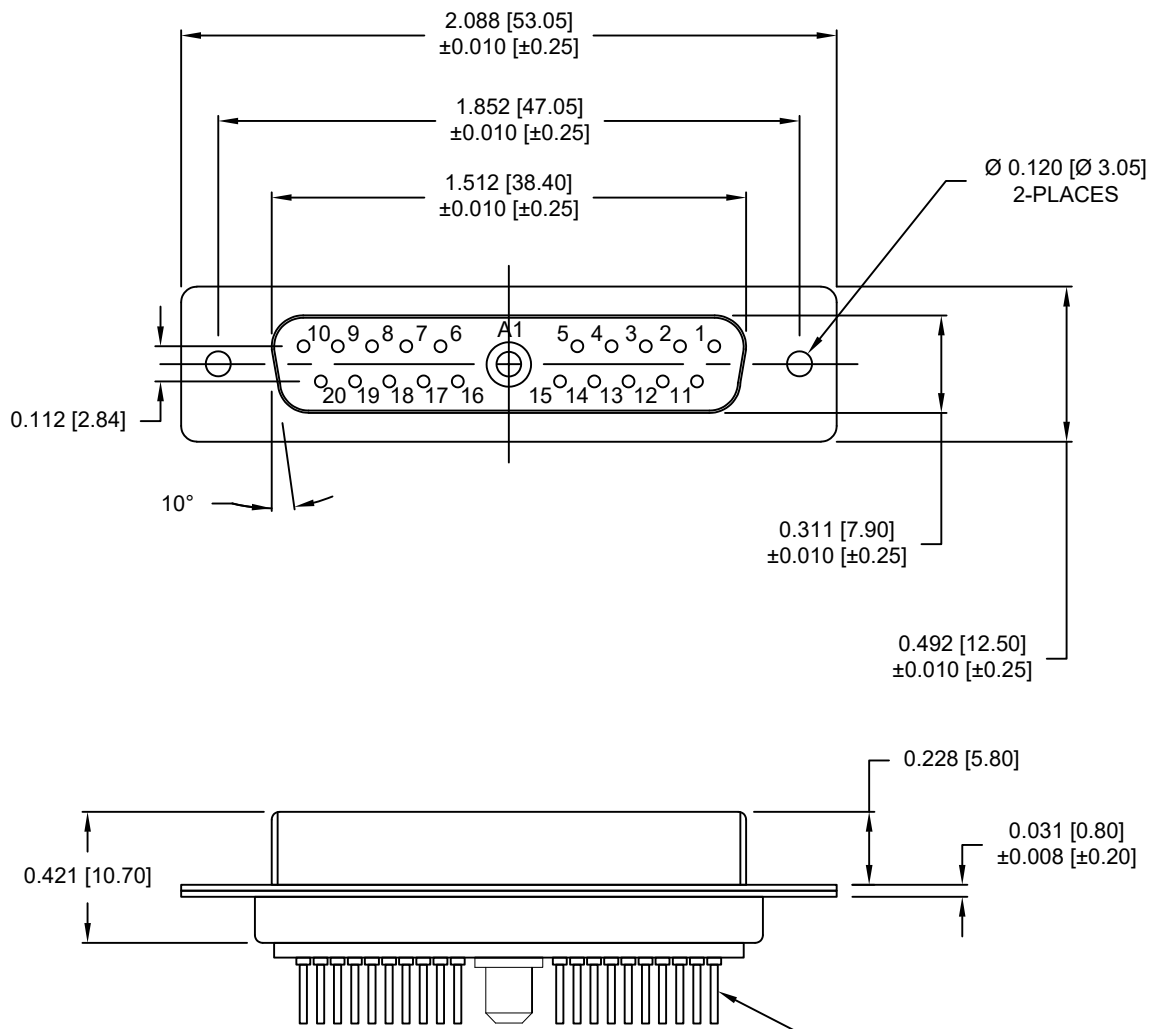


**SPECIFICATIONS:**

<b>ELECTRICAL:</b>	
INSULATION RESISTANCE:	5 GΩ MIN.
DIELECTRIC WITHSTANDING VOLTAGE:	1000 VAC FOR 1 MIN
WORKING VOLTAGE:	250V
OPERATING TEMPERATURE:	-55°C TO +125°C
POWER CONTACT RESISTANCE:	2.0 mΩ MAX.
SIGNAL CONTACT RESISTANCE:	10 mΩ MAX.
POWER PINS:	40 AMPS
SIGNAL PINS:	5 AMPS
<b>MECHANICAL:</b>	
CONTACT INSERTION FORCE:	4.5 Kg MAX.
CONTACT SEPARATION FORCE:	0.3 Kg MIN.
<b>MATERIALS:</b>	
CONTACTS:	COPPER ALLOY, GOLD FLASH
INSULATOR:	PBT UL94V-0 RATED 230°C PROCESS TEMP.
SEAL:	F04 FLEXIBLE ADHESIVE
SHELL:	NICKEL PLATED STEEL
HARDWARE:	NICKEL PLATED BRASS



**681S21W1203LYYY**

- 0 = 40 AMP
- 0 = NO HARDWARE
- 4 = 0.237" BOARDLOCK PCB SIDE
- 1 = GOLD FLASH

SEE SHEET 2 FOR DETAILS

**MEETS IP67 STANDARDS**  
(SEE PAGE 2 FOR SEALING DETAILS)

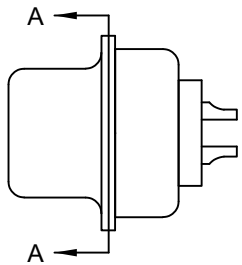
**RoHS COMPLIANT**

UNITS = INCHES [MM] **DO NOT SCALE FROM DRAWING**

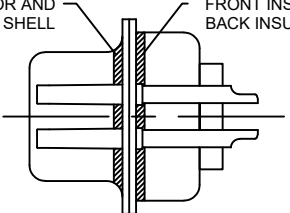
	THESE DRAWINGS AND SPECIFICATIONS ARE THE PROPERTY OF NorComp AND SHALL NOT BE REPRODUCED, COPIED OR USED AS THE BASIS FOR THE MANUFACTURE OR SALE OF APPARATUS WITHOUT WRITTEN PERMISSION.	DRAWN: <b>M. SIGMON</b>
		DATE: <b>06/11/2013</b>

	SCALE: NTS	SHEET 1 OF 4	REV 3
	DWG NO. <b>681S21W1203LYYY</b>		

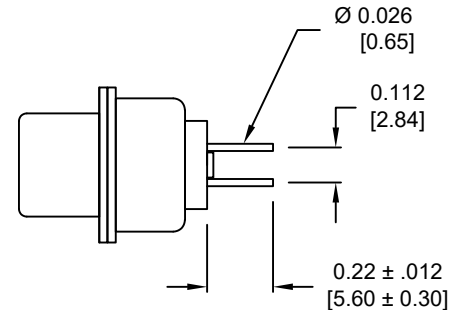
NOTE:  
SIGNAL AND POWER CONTACTS  
COME PRE-LOADED INTO INSULATORS



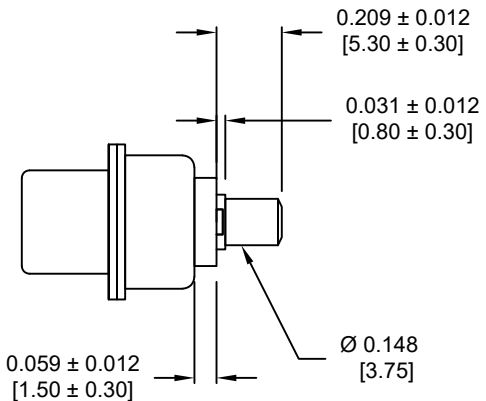
FRONT SEAL APPLIED BETWEEN FRONT INSULATOR AND FRONT METAL SHELL  
MIDDLE SEAL APPLIED BETWEEN FRONT INSULATOR AND BACK INSULATOR



DETAIL A-A  
SHOWN FOR REFERENCE ONLY



SIGNAL CONTACTS



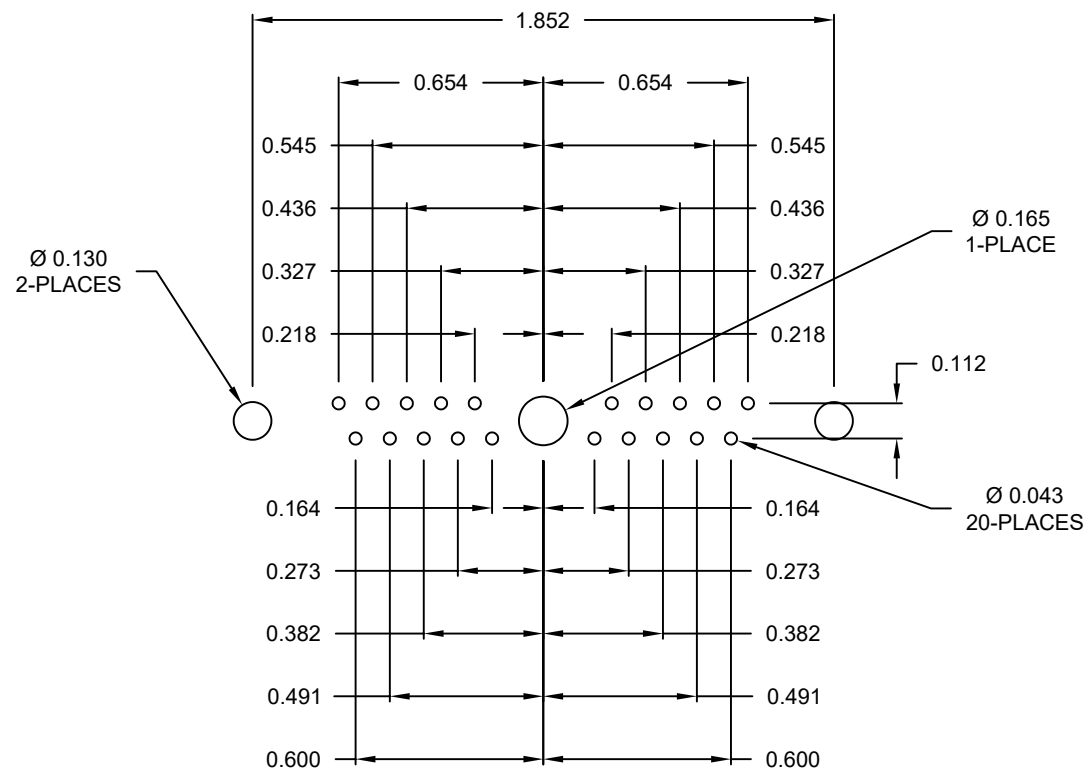
POWER CONTACTS

RoHS COMPLIANT

UNITS = INCHES [MM] DO NOT SCALE FROM DRAWING

	THESE DRAWINGS AND SPECIFICATIONS ARE THE PROPERTY OF NorComp AND SHALL NOT BE REPRODUCED, COPIED OR USED AS THE BASIS FOR THE MANUFACTURE OR SALE OF APPARATUS WITHOUT WRITTEN PERMISSION.	DRAWN: <b>M. SIGMON</b>
		DATE: <b>06/11/2013</b>

<h1>NorComp</h1>	SCALE: NTS	SHEET OF 2 4	REV 3
	DWG NO. <b>681S21W1203LYYY</b>		



RECOMMENDED PCB LAYOUT

RoHS COMPLIANT

UNITS = INCHES

DO NOT SCALE FROM DRAWING

	THESE DRAWINGS AND SPECIFICATIONS ARE THE PROPERTY OF NorComp AND SHALL NOT BE REPRODUCED, COPIED OR USED AS THE BASIS FOR THE MANUFACTURE OR SALE OF APPARATUS WITHOUT WRITTEN PERMISSION.	DRAWN: <b>M. SIGMON</b>
		DATE: <b>06/11/2013</b>

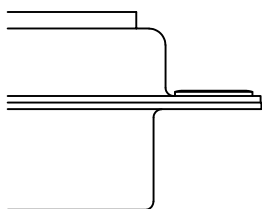
NorComp

SCALE: NTS	SHEET 3 OF 4	REV 3
DWG NO. <b>681S21W1203LYYY</b>		

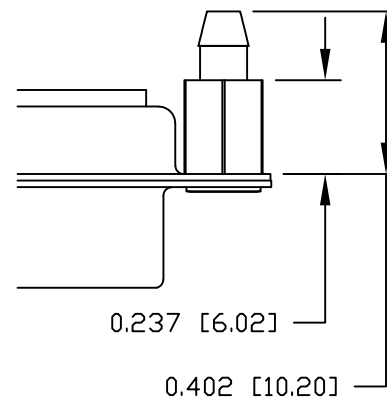
ALL CLINCH-NUTS ARE 4-40 INTERNAL THREADS

TOLERANCE:  
ALL DIMENSIONS ARE ±0.010

0 ..... NO HARDWARE



4 ..... 0.237" PCB SIDE



RoHS COMPLIANT

UNITS = INCHES [MM] DO NOT SCALE FROM DRAWING



THESE DRAWINGS AND SPECIFICATIONS ARE THE PROPERTY OF NorComp AND SHALL NOT BE REPRODUCED, COPIED OR USED AS THE BASIS FOR THE MANUFACTURE OR SALE OF APPARATUS WITHOUT WRITTEN PERMISSION.

DRAWN:  
M. SIGMON

DATE:  
06/11/2013

NorComp

SCALE:  
NTS

SHEET OF  
4 4

REV  
3

DWG NO. 681S21W1203LYYY