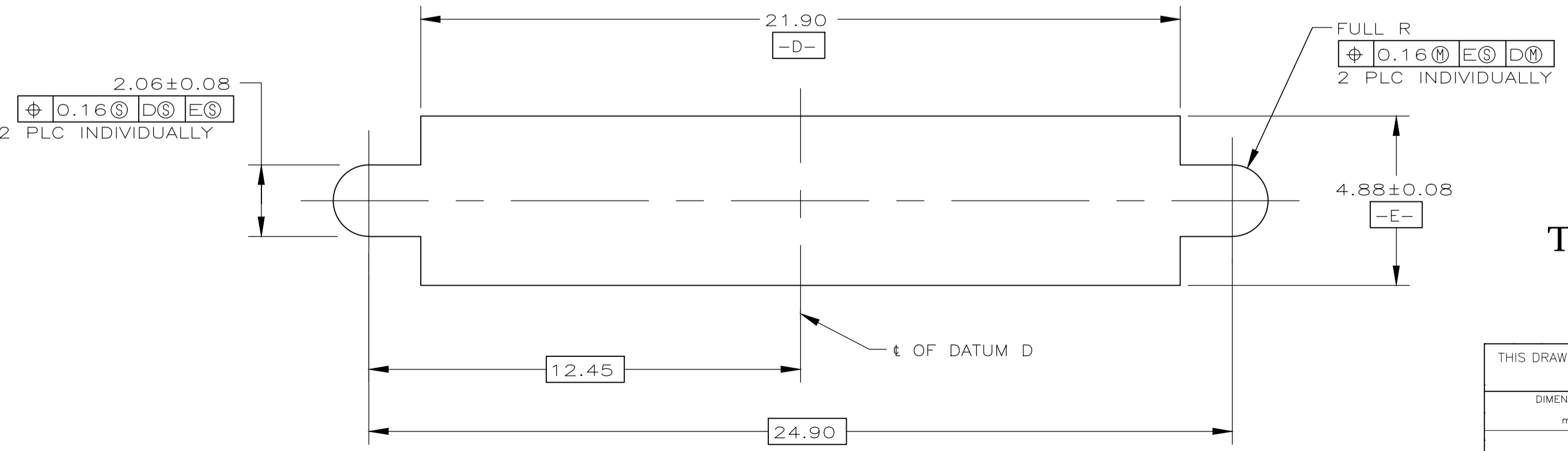
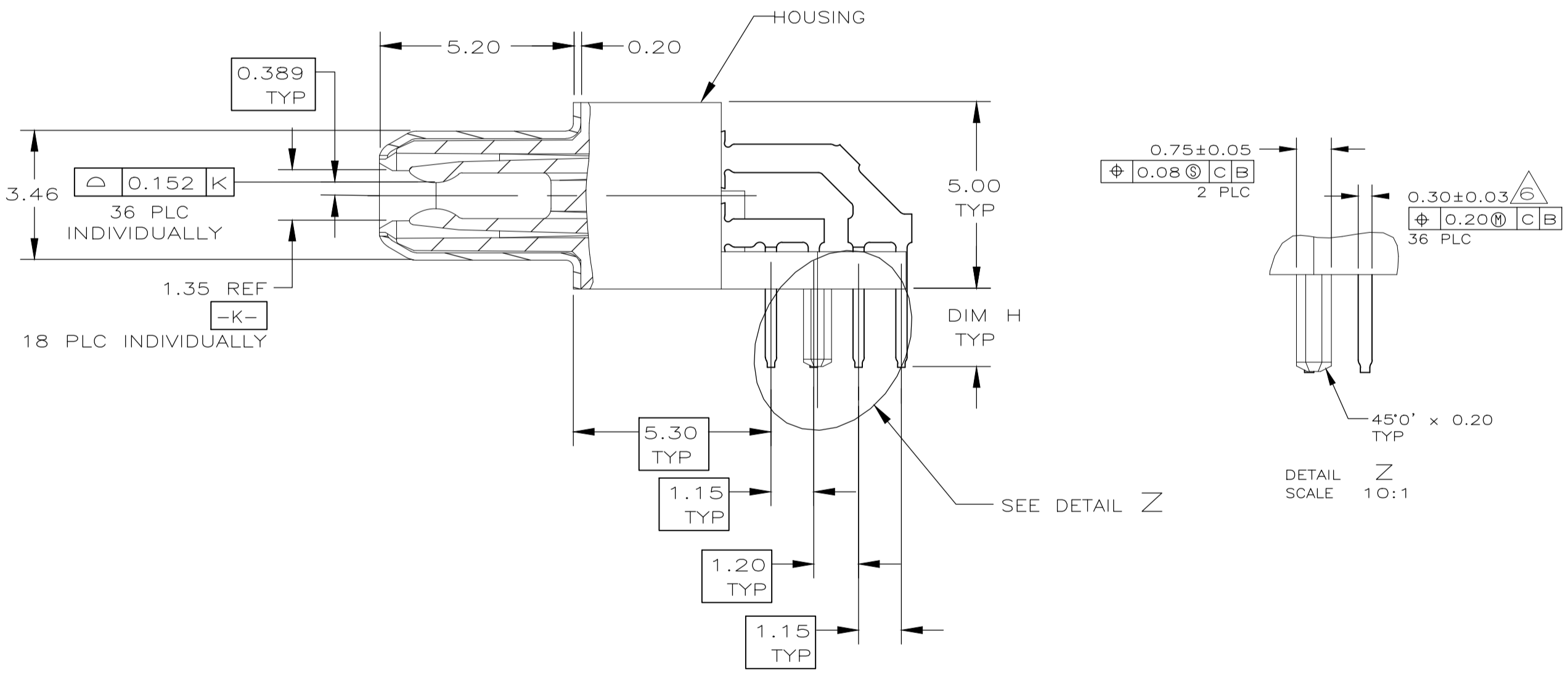
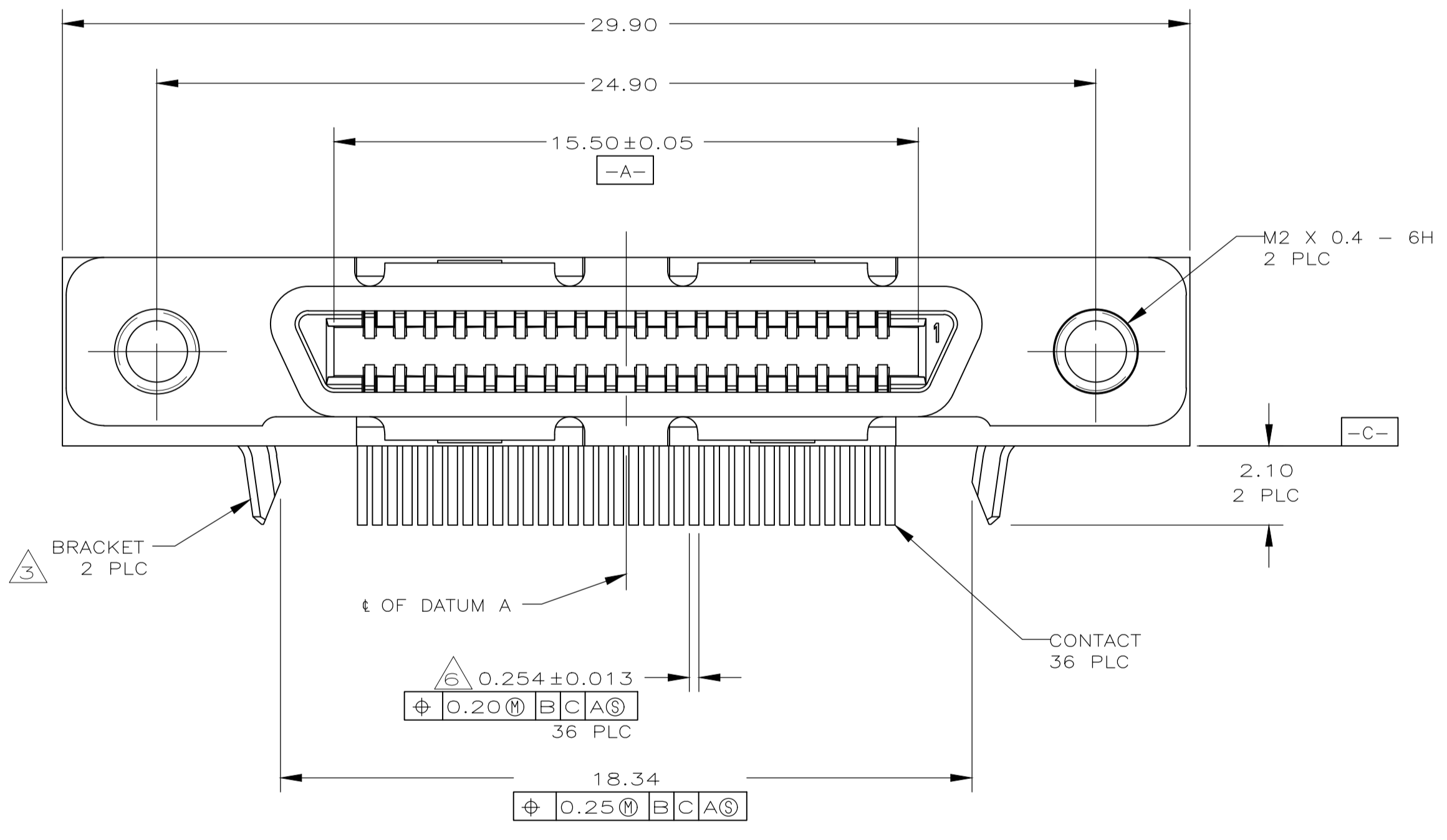
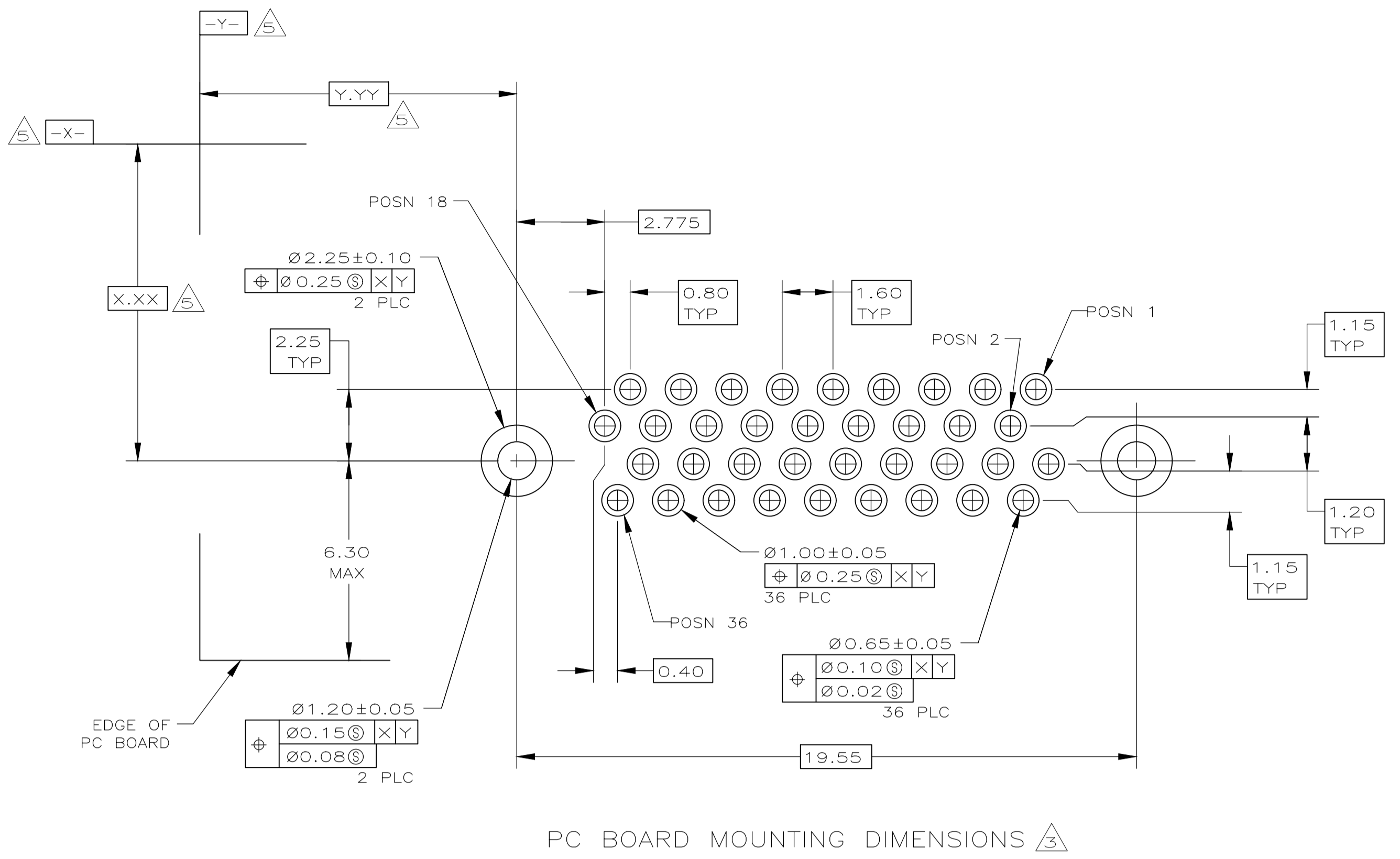
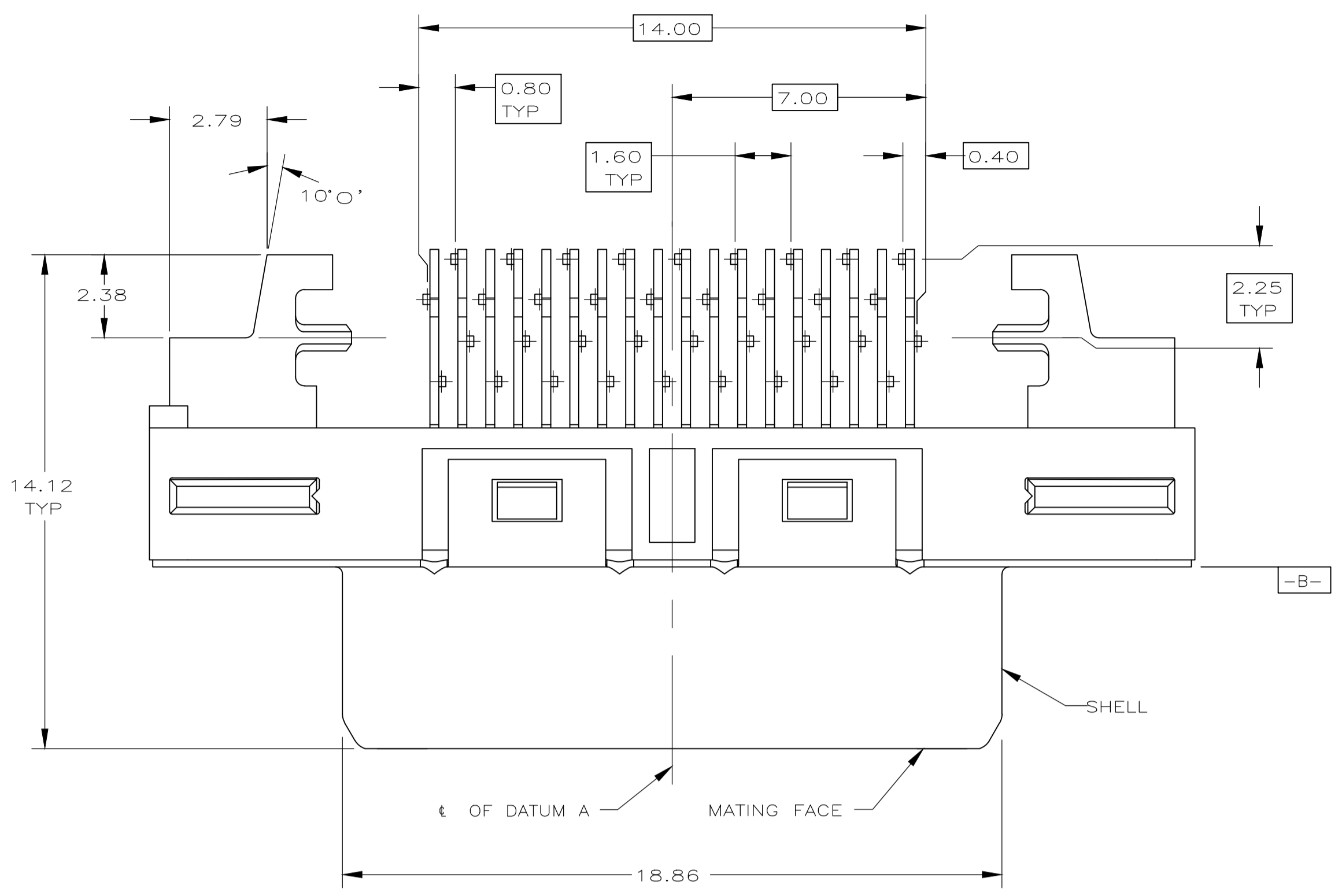


REVISIONS				
P	LTR	DESCRIPTION	DATE	APPV
R1		REVISED PER ECO-19-014319	18SEP2019	SH SH



- 1 HOUSING: THERMOPLASTIC, BLACK, UL 94V-0 RATED.
SHELL: CARBON STEEL.
CONTACTS: PHOSPHOR BRONZE.
BRACKETS: NICKEL SILVER.
- 2 SHELL: 5.08µm MIN NICKEL OVER 2.54µm MIN COPPER.
CONTACTS: 0.76µm MIN GOLD ON MATING END, 3.75µm MIN TIN ON SOLDER TAILS, BOTH OVER 1.27µm MIN NICKEL ON ENTIRE CONTACT.
- 3 BRACKETS AND CONTACTS DESIGNED FOR USE ON 1.60±0.15 THICK PC BOARD WITH PLATED THRU MOUNTING HOLES.
- 4 RECEPTACLE ASSEMBLY DESIGNED FOR USE WITH 1.12±0.08 THICK PANEL.
- 5 DATUMS AND DIMENSIONS ESTABLISHED BY CUSTOMER.
- 6 POSITION TOLERANCE APPLIES AT CONTACT TIP ONLY.
- 7 HOUSING: LCP, BLACK, UL 94V-0 RATED.
SHELL: CARBON STEEL.
CONTACTS: PHOSPHOR BRONZE.
BRACKETS: NICKEL SILVER.

**COPYRIGHT 2005
TE CONNECTIVITY ALL
RIGHTS RESERVED**

DIM H	PART NUMBER
2.10	5787973-3
3.27	5787973-2
2.10	5787973-1

THIS DRAWING IS A CONTROLLED DOCUMENT.		APPROVED		TE Connectivity	
DIMENSIONS:	TOLERANCES UNLESS OTHERWISE SPECIFIED:	APPROVED	DATE	NAME	PRODUCT SPEC
mm	0 PLC ± -	J. ALCORTA - DOCK5	08-01-05	M. WALMSLEY	108-1471-1
	1 PLC ± -	S. SHUEY	08-01-05		APPLICATION SPEC
	2 PLC ± 0.13				114-6057
	3 PLC ± -				WEIGHT
	4 PLC ± -				0.000000
	ANGLES ± 1°				CUSTOMER DRAWING
MATERIAL	FINISH	SIZE	CAGE CODE	DRAWING NO	RESTRICTED TO
		A1	00779	5787973	-
		SCALE	SHEET	REV	
		8:1	1 of 1	R1	