

- 注記
NOTES
- 材質
ハウジング：耐熱性ナイロンUL94V-0
ピン：銅合金、ニッケル下地、錫メッキ、金メッキ
フィッティングネール：銅合金、ニッケル下地、錫メッキ
MATERIAL
HOUSING:POLYAMIDE UL94V-0
PIN: COPPER ALLOY, GOLD OR TIN OVER NICKEL PLATE.
FITTING NAIL: COPPER ALLOY, TIN OVER NICKEL PLATE.
 - 色：ナチュラル、黒、赤、青
COLOR:NATURAL, BLACK, RED, BLUE
 - 嵌合相手
ハウジング：502351-**0*
錫メッキ端子：50212-8*00,50372-8*00,560085-0101
金メッキ端子：56161-8*81
MATES WITH
HOUSING:502351-**0*
SN PLATING TERMINAL:50212-8*00,50372-8*00,560085-0101
AU PLATING TERMINAL:56161-8*81
 - エンボス梱包品の詳細はSD-502352-002参照
DETAILED TAPING PACKAGE, SEE SD-502352-002.
 - ELV及びRoHS適合
ELV AND RoHS COMPLIANT
 - 半田付け面のコプラナリティ：0.1mm MAX.
CO-PLANARITY OF SOLDERING TAILS TO BE 0.1mm MAX.

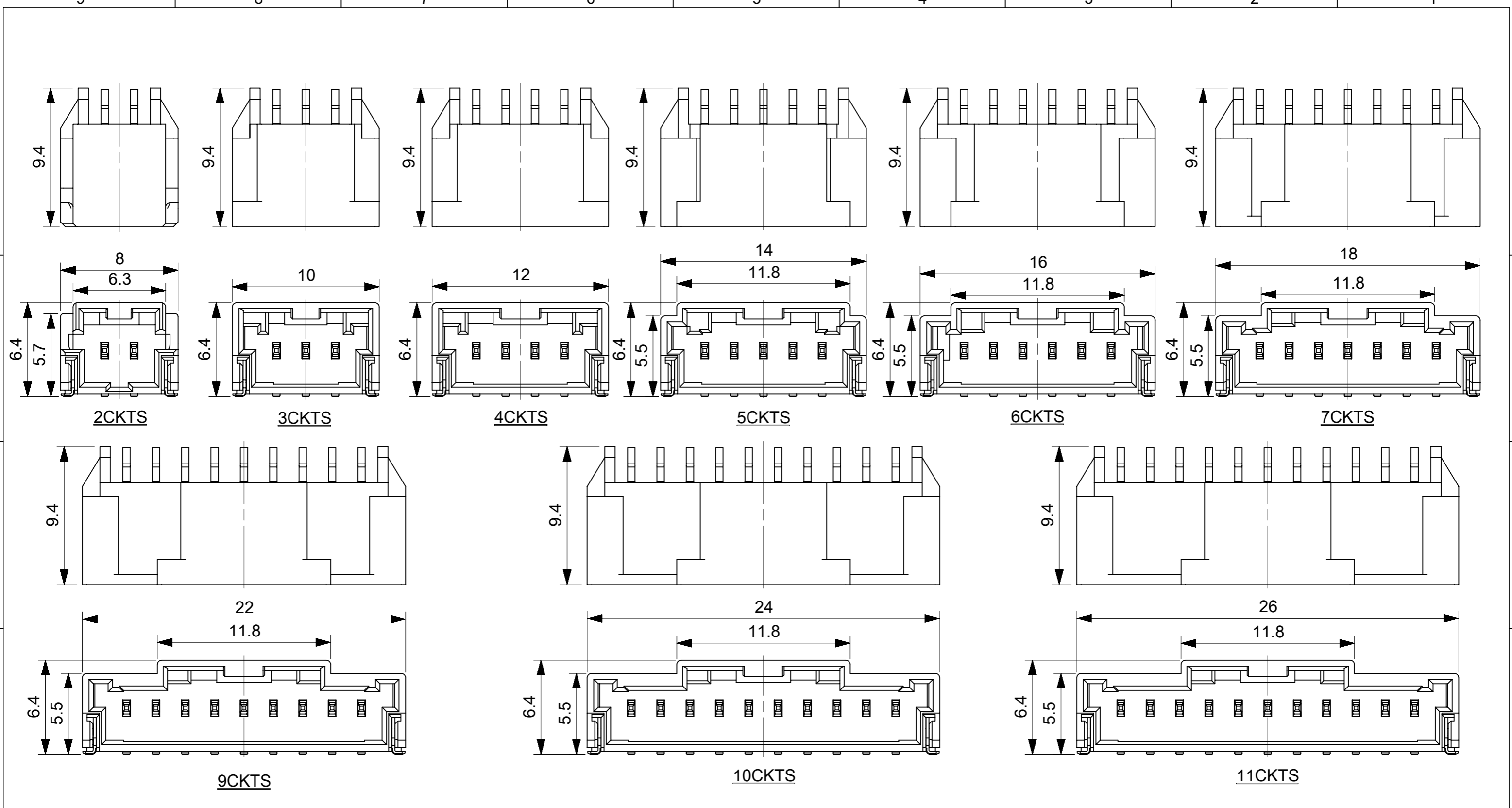
- 7.一般公差
GENERAL TOLERANCES
10 UNDER: 0.2
10 OVER 30 UNDER:0.25
30 OVER: 0.3
ANGULAR: ±3°

DOCUMENT STATUS	P1	RELEASE DATE	2018/12/07	08:35:17
-----------------	----	--------------	------------	----------

INITIAL REVISION:

DRWN	SHSHIBATA	2007/12/18
CHECK	HKOMATSU	2007/12/18
APPR	AKANESHIGE	2007/12/18

THIS DRAWING CONTAINS INFORMATION THAT IS PROPRIETARY TO MOLEX ELECTRONIC TECHNOLOGIES, LLC AND SHOULD NOT BE USED WITHOUT WRITTEN PERMISSION		CURRENT REV DESC:		molex	
DIMENSION UNITS	SCALE	EC NO: 608817			
mm	5:1	DRWN: MSATO08 2018/12/07		2.0MM PITCH W/B CONN. WAFER ASSY R/A SMT	
GENERAL TOLERANCES (UNLESS SPECIFIED)		CHK'D: HKOMATSU 2018/12/07		PRODUCT CUSTOMER DRAWING	
ANGULAR TOL ± °		APPR: TOSADA 2018/12/07		DOCUMENT NUMBER	
4 PLACES ±		INITIAL REVISION:		SD-502352-001	
3 PLACES ±		DRWN: SHSHIBATA 2008/01/23		DOC TYPE	
2 PLACES ±		APPR: AKANESHIGE 2008/04/23		PSD	
1 PLACE ±		DRAFT WHERE APPLICABLE MUST REMAIN WITHIN DIMENSIONS		DOC PART	
0 PLACES ±		THIRD ANGLE PROJECTION		001	
DRAWING		SERIES		REVISION	
A3-SIZE		502352		L2	
MATERIAL NUMBER		CUSTOMER		SHEET NUMBER	
SEE CHART		GENERAL MARKET		1 OF 4	



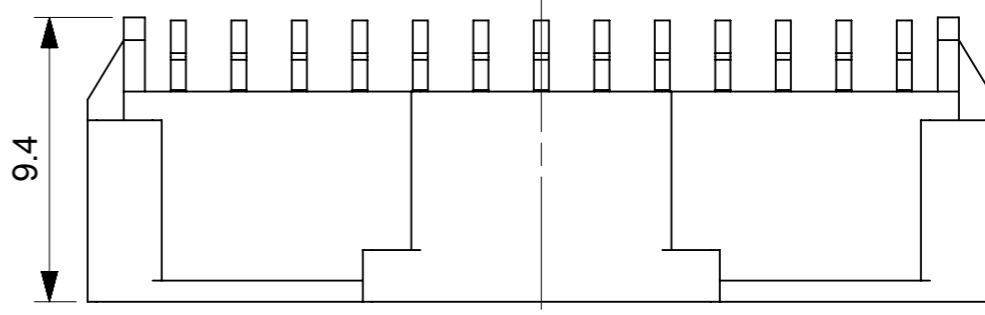
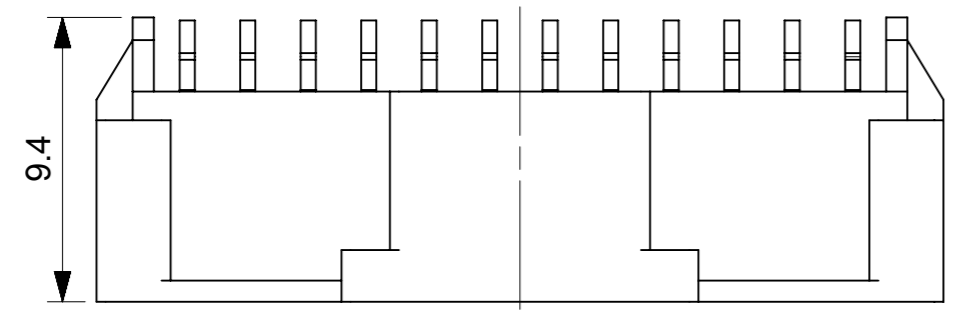
THIS DRAWING CONTAINS INFORMATION THAT IS PROPRIETARY TO MOLEX ELECTRONIC TECHNOLOGIES, LLC AND SHOULD NOT BE USED WITHOUT WRITTEN PERMISSION											
DIMENSION UNITS		SCALE		CURRENT REV DESC:						molex	
mm		4:1									
GENERAL TOLERANCES (UNLESS SPECIFIED)				EC NO: 608817							
ANGULAR TOL				DRWN: MSATO08 2018/12/07							
4 PLACES				CHK'D: HKOMATSU 2018/12/07							
3 PLACES				APPR: TOSADA 2018/12/07							
2 PLACES				INITIAL REVISION:							
1 PLACE				DRWN: SHSHIBATA 2008/01/23							
0 PLACES				APPR: AKANESHIGE 2008/04/23							
DRAFT WHERE APPLICABLE				THIRD ANGLE PROJECTION		DRAWING		SERIES		DOCUMENT NUMBER	
MUST REMAIN WITHIN DIMENSIONS						A3-SIZE		502352		SD-502352-001	
								MATERIAL NUMBER		DOC TYPE DOC PART REVISION	
								SEE CHART		PSD 001 L2	
								CUSTOMER		SHEET NUMBER	
								GENERAL MARKET		2 OF 4	

INITIAL REVISION:		
DRWN	SHSHIBATA	2007/12/18
CHECK	HKOMATSU	2007/12/18
APPR	AKANESHIGE	2007/12/18

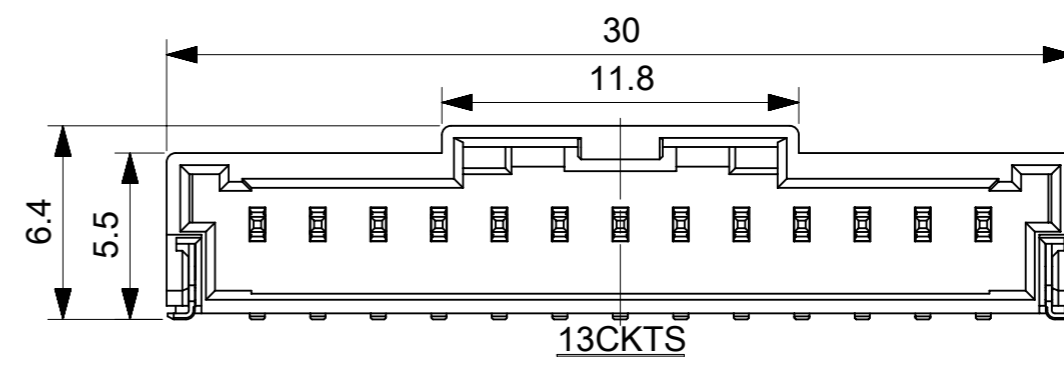
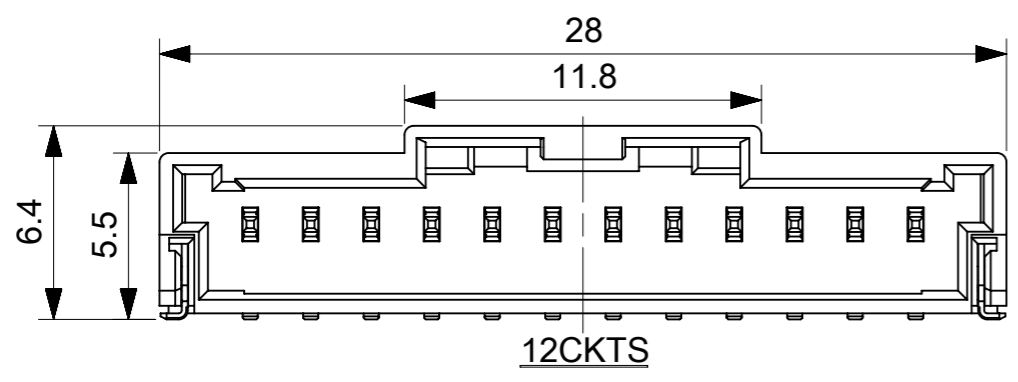
DOCUMENT STATUS	P1	RELEASE DATE	2018/12/07	08:35:17
-----------------	----	--------------	------------	----------

9 8 7 6 5 4 3 2 1

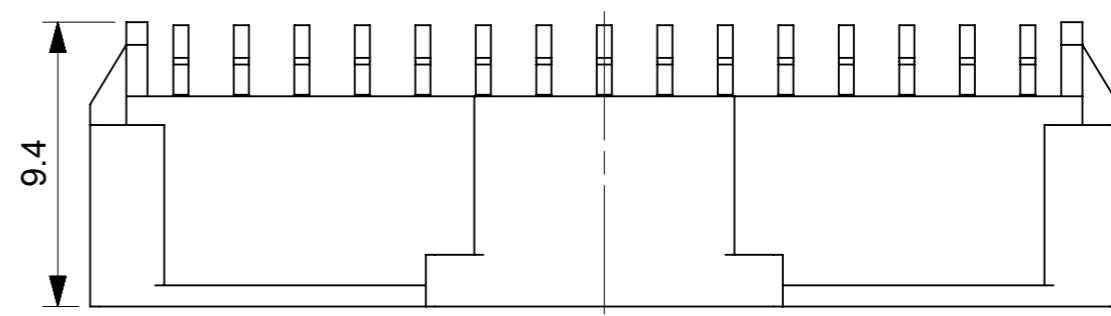
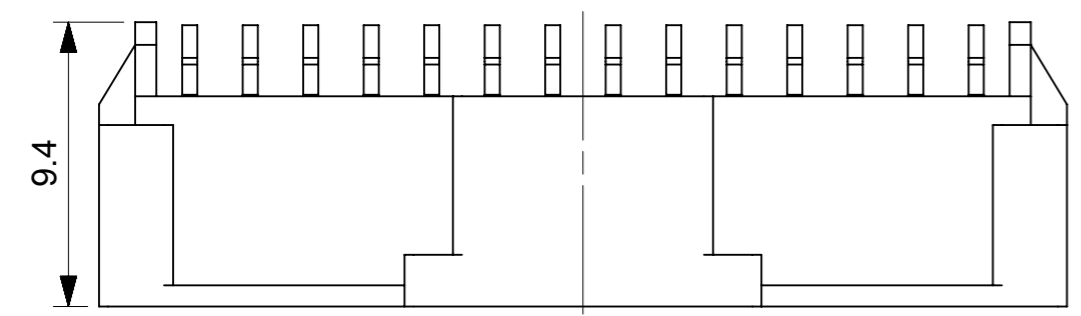
E



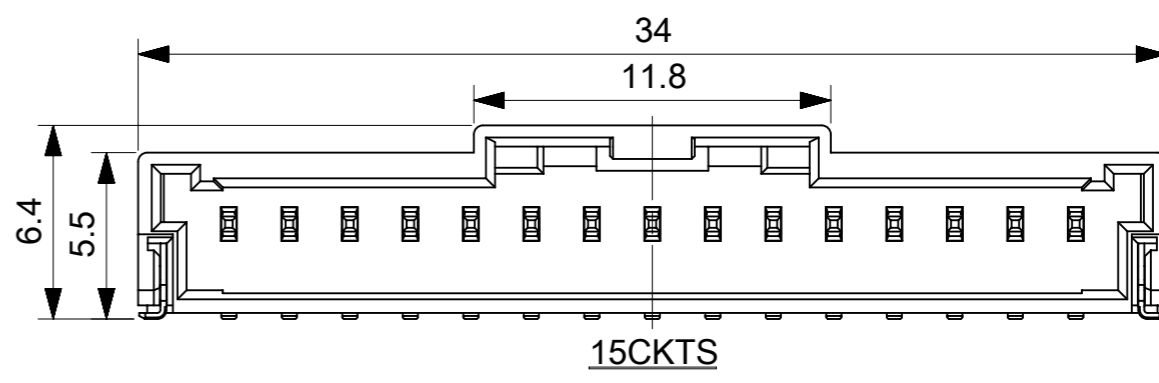
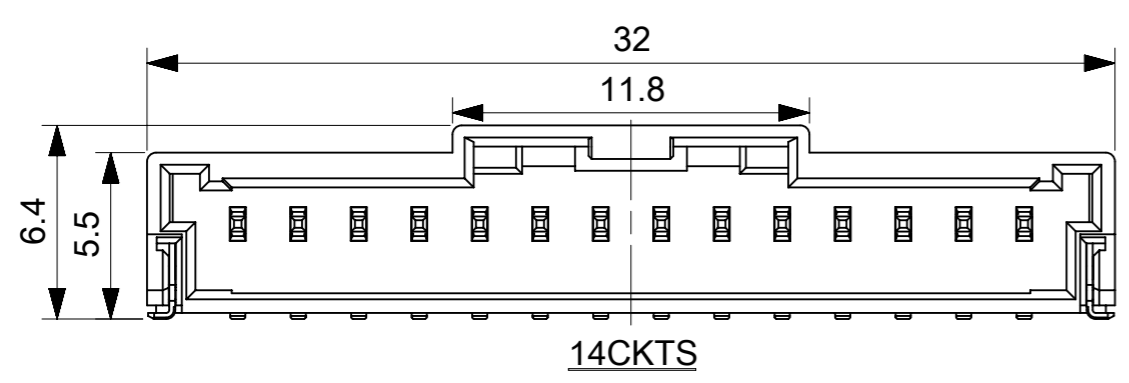
D



C



B



A

THIS DRAWING CONTAINS INFORMATION THAT IS PROPRIETARY TO MOLEX ELECTRONIC TECHNOLOGIES, LLC AND SHOULD NOT BE USED WITHOUT WRITTEN PERMISSION									
DIMENSION UNITS		SCALE		CURRENT REV DESC:				molex	
mm		4:1							
GENERAL TOLERANCES (UNLESS SPECIFIED)									
ANGULAR TOL ± °									
4 PLACES ±									
3 PLACES ±									
2 PLACES ±									
1 PLACE ±									
0 PLACES ±									
INITIAL REVISION:				THIRD ANGLE PROJECTION		DRAWING		SERIES	
DRWN SHSHIBATA 2007/12/18				MUST REMAIN WITHIN DIMENSIONS		A3-SIZE		502352	
CHECK HKOMATSU 2007/12/18									
APPR AKANESHIGE 2007/12/18									
				EC NO: 608817		2018/12/07		PRODUCT CUSTOMER DRAWING	
				DRWN: MSATO08		2018/12/07			
				CHK'D: HKOMATSU		2018/12/07			
				APPR: TOSADA		2018/12/07		DOCUMENT NUMBER	
				INITIAL REVISION:		2008/01/23		SD-502352-001	
				DRWN: SHSHIBATA		2008/01/23		DOC TYPE	
				APPR: AKANESHIGE		2008/01/23		PSD	
								DOC PART	
								001	
								REVISION	
								L2	
								SHEET NUMBER	
								3 OF 4	

DOCUMENT STATUS	P1	RELEASE DATE	2018/12/07	08:35:17
-----------------	----	--------------	------------	----------

9 8 7 6 5 4 3 2 1

FORMAT: master-ib-prod-A3
REVISION: 11
DATE: 2018/01/18

Sn NATURAL	34.0	502352-1500	15
	32.0	502352-1400	14
	30.0	502352-1300	13
	28.0	502352-1200	12
	26.0	502352-1100	11
	24.0	502352-1000	10
	22.0	502352-0900	9
	20.0	502352-0800	8
	18.0	502352-0700	7
	16.0	502352-0600	6
	14.0	502352-0500	5
	12.0	502352-0400	4
	10.0	502352-0300	3
8.0	502352-0200	2	

PLATING COLOR	A	EMBOSSSED PACKAGE ORDER NO.	CKTS
CONNECTOR SERIES NO. 502352-**08			

Sn BLACK	34.0	502352-1501	15
	32.0	502352-1401	14
	30.0	502352-1301	13
	28.0	502352-1201	12
	26.0	502352-1101	11
	24.0	502352-1001	10
	22.0	502352-0901	9
	20.0	502352-0801	8
	18.0	502352-0701	7
	16.0	502352-0601	6
	14.0	502352-0501	5
	12.0	502352-0401	4
	10.0	502352-0301	3
8.0	502352-0201	2	

PLATING COLOR	A	EMBOSSSED PACKAGE ORDER NO.	CKTS
CONNECTOR SERIES NO. 502352-**28			

Au NATURAL	34.0	502352-1510	15
	32.0	502352-1410	14
	30.0	502352-1310	13
	28.0	502352-1210	12
	26.0	502352-1110	11
	24.0	502352-1010	10
	22.0	502352-0910	9
	20.0	502352-0810	8
	18.0	502352-0710	7
	16.0	502352-0610	6
	14.0	502352-0510	5
	12.0	502352-0410	4
	10.0	502352-0310	3
8.0	502352-0210	2	

PLATING COLOR	A	EMBOSSSED PACKAGE ORDER NO.	CKTS
CONNECTOR SERIES NO. 502352-**18			

Sn RED	-	-	15
	-	-	14
	-	-	13
	-	-	12
	-	-	11
	-	-	10
	-	-	9
	20.0	502352-0802	8
	-	-	7
	16.0	502352-0602	6
	-	-	5
	12.0	502352-0402	4
	10.0	502352-0302	3
8.0	502352-0202	2	

PLATING COLOR	A	EMBOSSSED PACKAGE ORDER NO.	CKTS
CONNECTOR SERIES NO. 502352-**48			

Sn BLUE	-	-	15
	-	-	14
	-	-	13
	-	-	12
	-	-	11
	-	-	10
	-	-	9
	20.0	502352-0803	8
	-	-	7
	16.0	502352-0603	6
	-	-	5
	12.0	502352-0403	4
	10.0	502352-0303	3
8.0	502352-0203	2	

PLATING COLOR	A	EMBOSSSED PACKAGE ORDER NO.	CKTS
CONNECTOR SERIES NO. 502352-**68			

Sn BLUE	-	-	15
	-	-	14
	-	-	13
	-	-	12
	-	-	11
	-	-	10
	-	-	9
	20.0	502352-0803	8
	-	-	7
	16.0	502352-0603	6
	-	-	5
	12.0	502352-0403	4
	10.0	502352-0303	3
8.0	502352-0203	2	

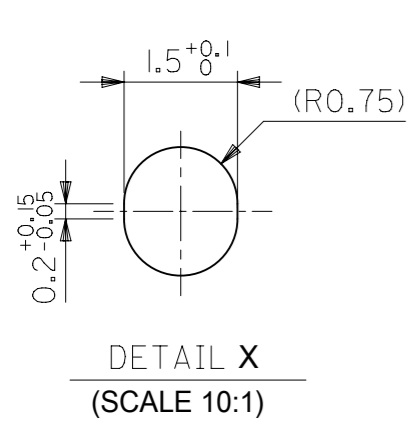
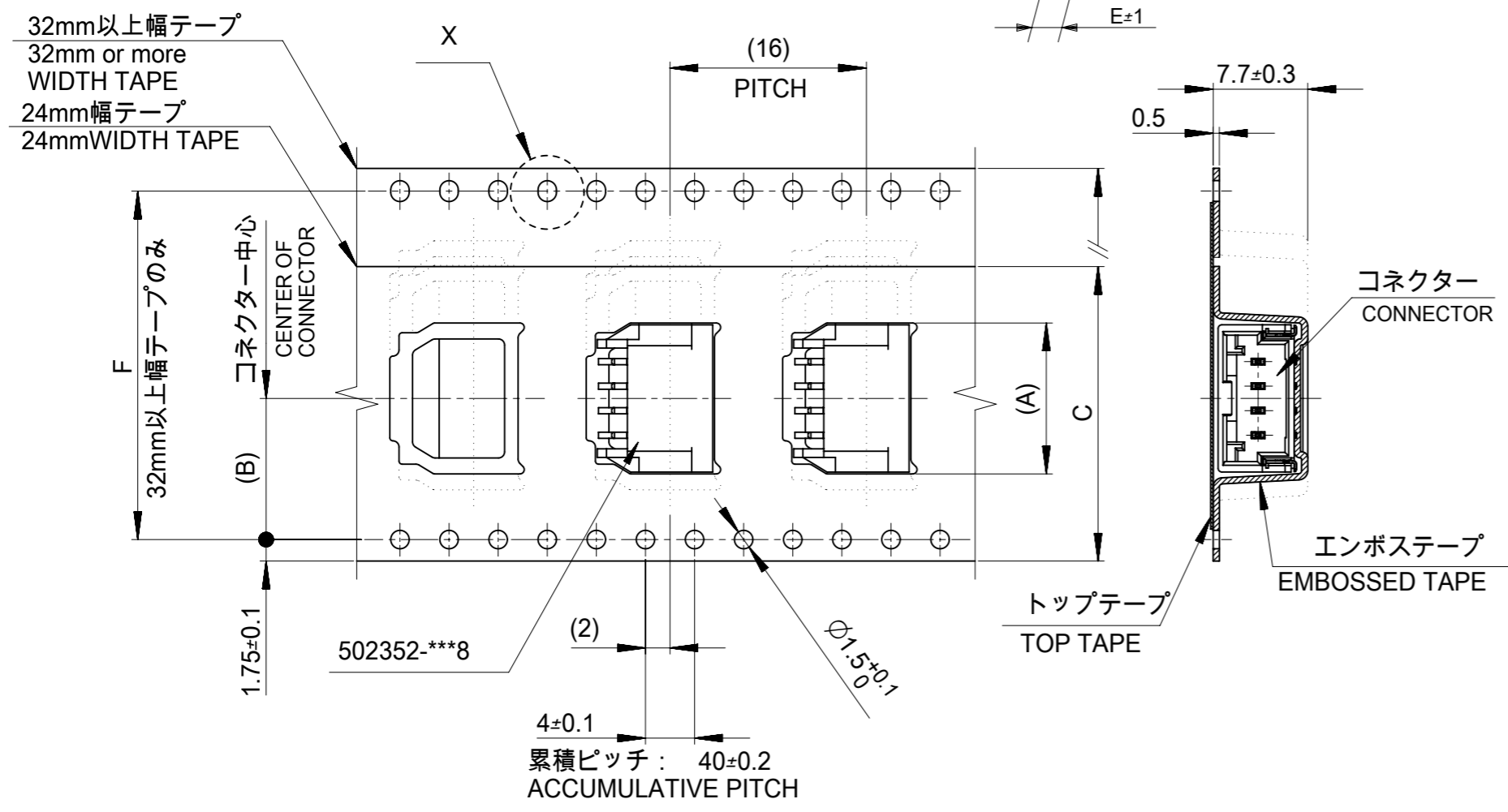
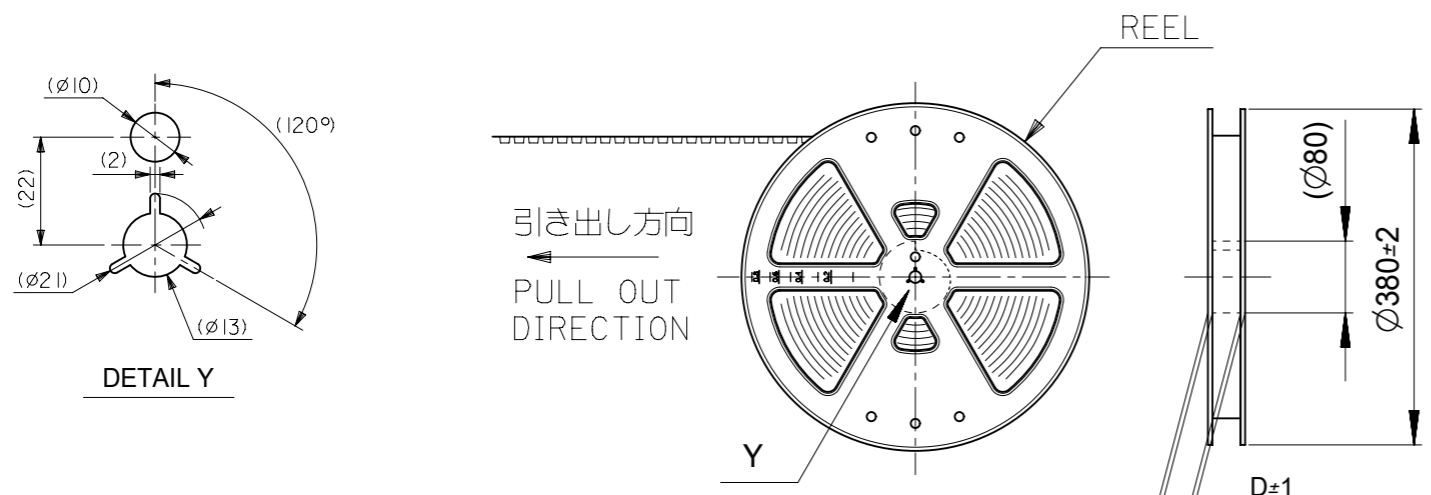
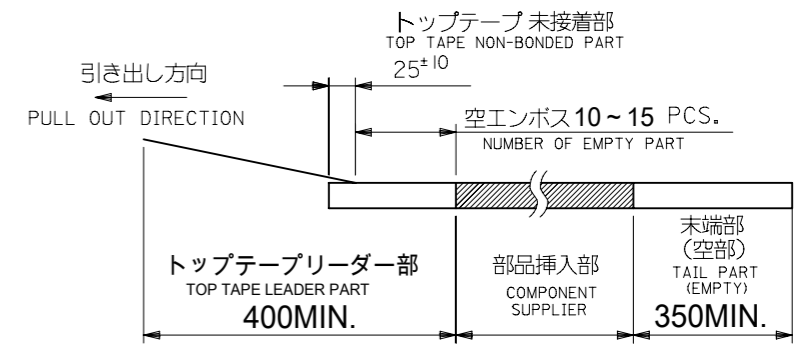
PLATING COLOR	A	EMBOSSSED PACKAGE ORDER NO.	CKTS
CONNECTOR SERIES NO. 502352-**68			

INITIAL REVISION:
 DRWN SHSHIBATA 2007/12/18
 CHECK HKOMATSU 2007/12/18
 APPR AKANESHIGE 2007/12/18

THIS DRAWING CONTAINS INFORMATION THAT IS PROPRIETARY TO MOLEX ELECTRONIC TECHNOLOGIES, LLC AND SHOULD NOT BE USED WITHOUT WRITTEN PERMISSION		CURRENT REV DESC:		molex	
DIMENSION UNITS	SCALE	EC NO: 608817			
mm	1:1	DRWN: MSATO08 2018/12/07		2.0MM PITCH W/B CONN. WAFER ASSY R/A SMT	
GENERAL TOLERANCES (UNLESS SPECIFIED)		CHK'D: HKOMATSU 2018/12/07		PRODUCT CUSTOMER DRAWING	
ANGULAR TOL	±	APPR: TOSADA 2018/12/07		DOCUMENT NUMBER	
4 PLACES	±	INITIAL REVISION:		SD-502352-001	
3 PLACES	±	DRWN: SHSHIBATA 2008/01/23		DOC TYPE	DOC PART
2 PLACES	±	APPR: AKANESHIGE 2008/04/23		001	L2
1 PLACE	±	DRAFT WHERE APPLICABLE		SHEET NUMBER	
0 PLACES	±	MUST REMAIN WITHIN DIMENSIONS		4 OF 4	
THIRD ANGLE PROJECTION		DRAWING	SERIES	MATERIAL NUMBER	CUSTOMER
		A3-SIZE	502352	SEE CHART	GENERAL MARKET

注記
NOTES

- 製品番号
 ナチュラル・錫めっき: 502352-**00
 ナチュラル・金めっき: 502352-**10
 黒・錫めっき: 502352-**01
 赤・錫めっき: 502352-**02
 青・錫めっき: 502352-**03
 詳細寸法については、製品単体図面を参照下さい。
 PART NO.
 NATURAL Sn Plating: 502352-**00
 NATURAL Au Plating: 502352-**10
 BLACK Sn Plating: 502352-**01
 RED Sn Plating: 502352-**02
 BLUE Sn Plating: 502352-**03
 SEE SALES DRAWING FOR CONNECTOR
- 梱包数量: 700個/リール
 NUMBER OF CONNECTORS 700PCS/REEL
- リードテープ長さ
 LEAD TAPE LENGHT
- 材料
 MATERIAL
 キャリアテープ: ポリスチレン
 CARRIER TAPE: POLYSTYRENE
 トップテープ: PET, PE, PEF
 TOP TAPE: PET, PE, PEF
 リール: ポリスチレン
 REEL: POLYSTYRENE
- 一般降参
 GENERAL TOLERANCES
 10 UNDER: 0.2
 10 OVER 30 UNDER: 0.25
 30 OVER: 0.3
 ANGULAR: ±1°



引き出し方向
PULL OUT DIRECTION

エンボステープ内の製品の向き
DIRECTION OF CONNECTOR
IN EMBOSSSED TAPE

THIS DRAWING CONTAINS INFORMATION THAT IS PROPRIETARY TO MOLEX ELECTRONIC TECHNOLOGIES, LLC AND SHOULD NOT BE USED WITHOUT WRITTEN PERMISSION		CURRENT REV DESC:		molex	
DIMENSION UNITS	SCALE				
mm	NTS			2.0MM PITCH W/B CONN. WAFFER ASSY EMBOSSSED TAPE PACKAGE	
GENERAL TOLERANCES (UNLESS SPECIFIED)		EC NO: 177053		PRODUCT CUSTOMER DRAWING	
ANGULAR TOL	± °	DRWN: RHORI	2018/05/21	DOCUMENT NUMBER	
4 PLACES	±	CHK'D: HKOMATSU	2018/05/23	SD-502352-002	
3 PLACES	±	APPR: TOSADA	2018/05/23	DOC TYPE	DOC PART
2 PLACES	±	INITIAL REVISION:		PSD	001
1 PLACE	±	DRWN: SHSHIBATA	2007/06/19	REVISION	
0 PLACES	±	APPR: AKANESHIGE	2007/06/19	K	
DRAFT WHERE APPLICABLE MUST REMAIN WITHIN DIMENSIONS		THIRD ANGLE PROJECTION	DRAWING	SERIES	MATERIAL NUMBER
			A3-SIZE	502352	CUSTOMER
					GENERAL MARKET
					SHEET NUMBER
					1 OF 2

INITIAL REVISION:		
DRWN	SHSHIBATA	2007/06/06
CHECK	TAITO	2007/06/06
APPR	MAYAMAMOTO	2012/03/14

