

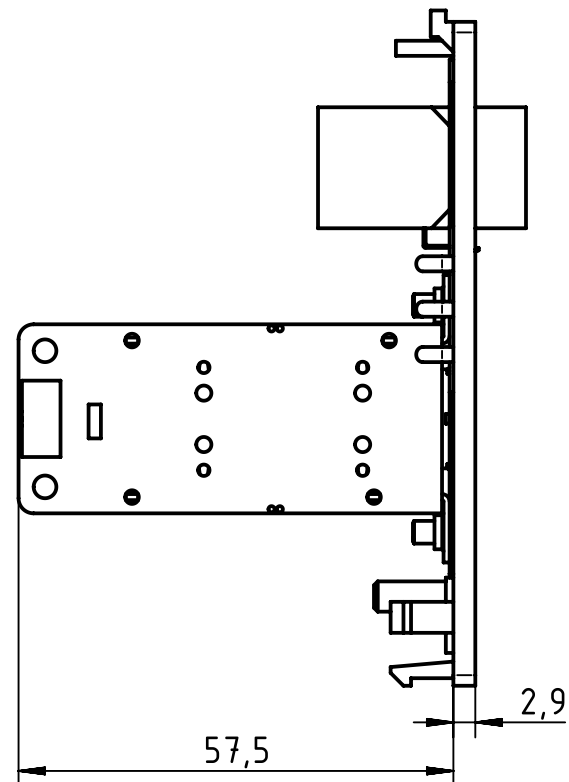
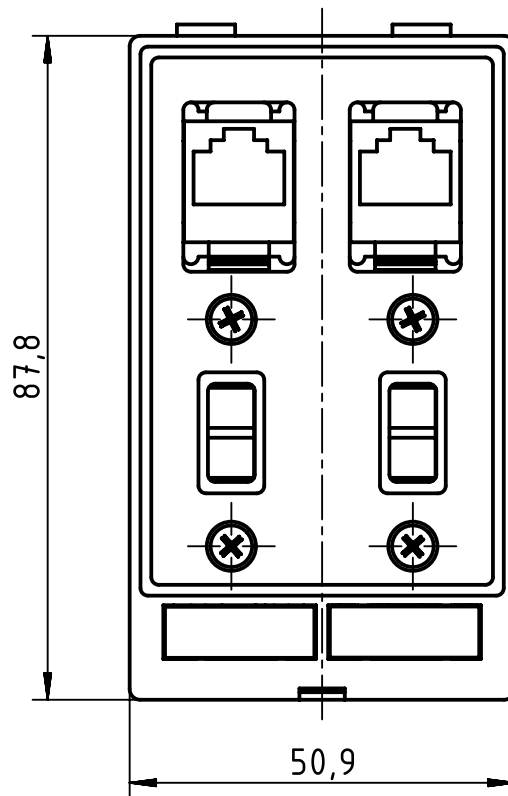
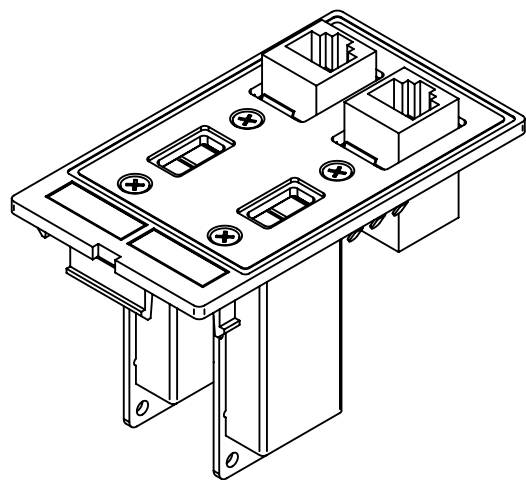
1 2 3 4 5 6


A

B

C

D



	All Dimensions in mm Original Size DIN A4		Scale 1:1		Free size tol.		Ref.			
	All rights reserved Department EL PD - DE		Created by HOLLERT		Inspected by SUNDERMEIER		Standardisation SCHMIDTM			
HARTING Electric GmbH & Co. KG D-32339 Espelkamp		Title Han-Port-2xRJ45/2xUSB					Date 2016-06-21		State Final Release	
		Type TB					Number 39 50 004 0097		Doc-Key / ECM-Nr. 100610998/UGD/001/B 500000105703	
							Rev. B		Page 1/1	