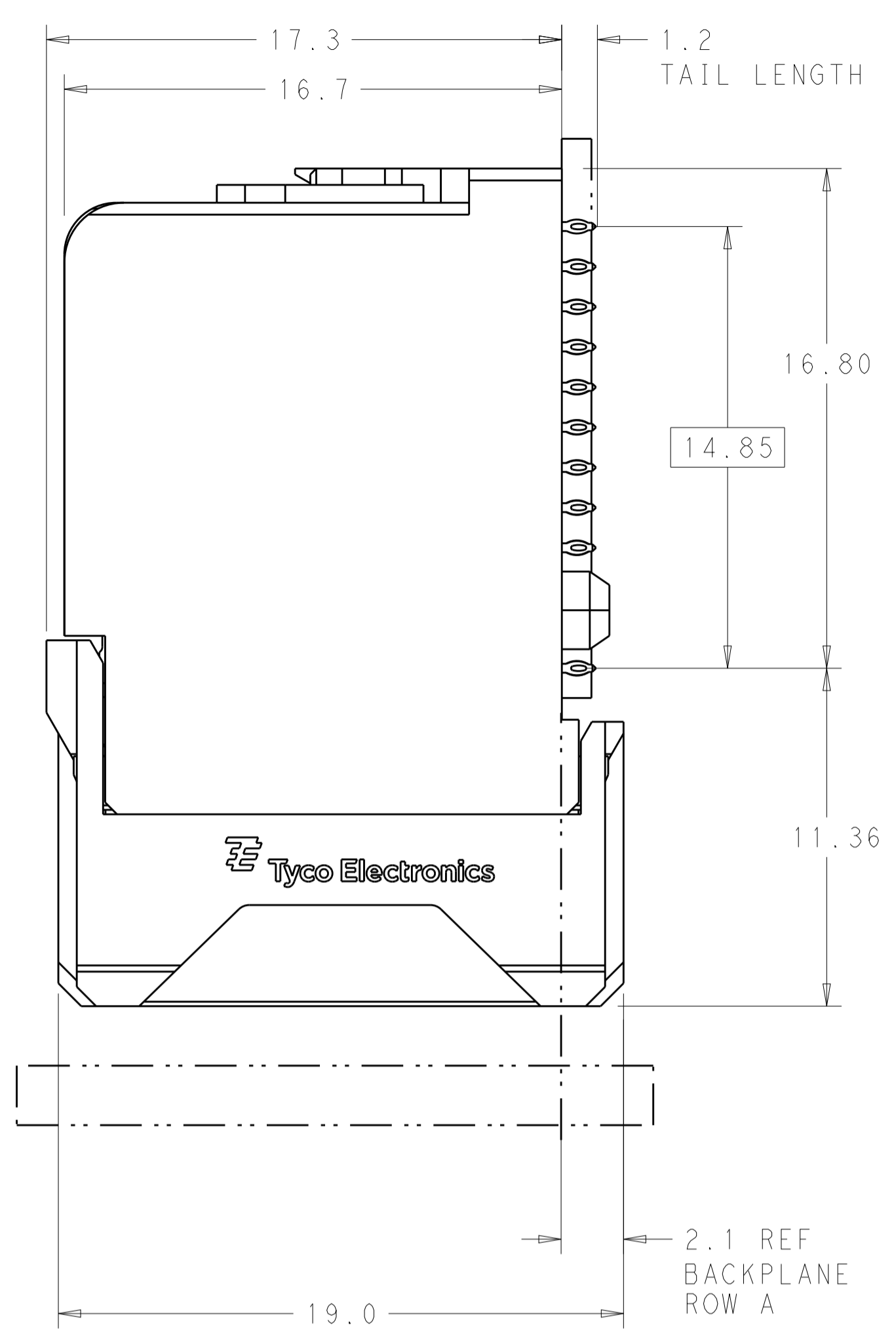
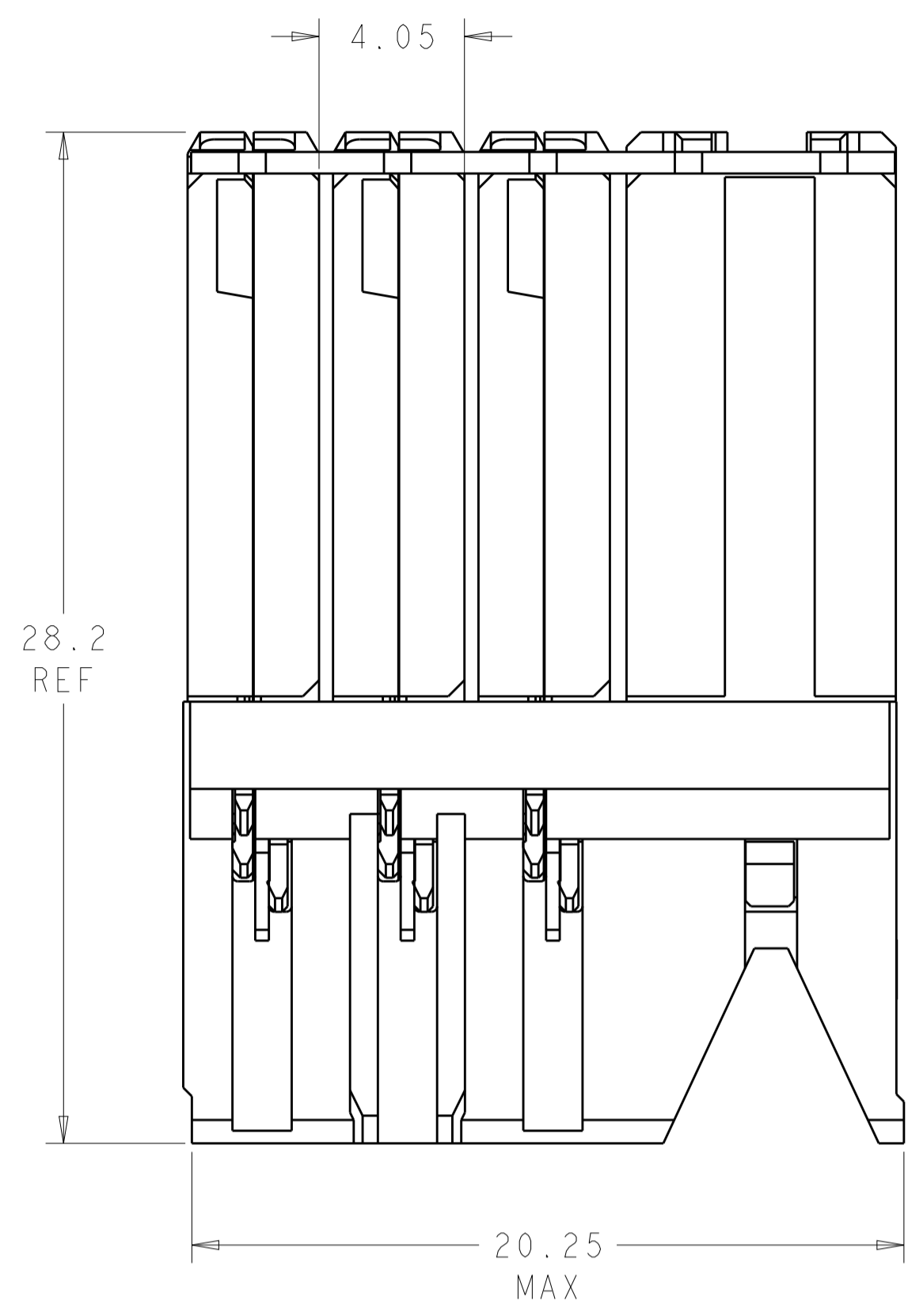
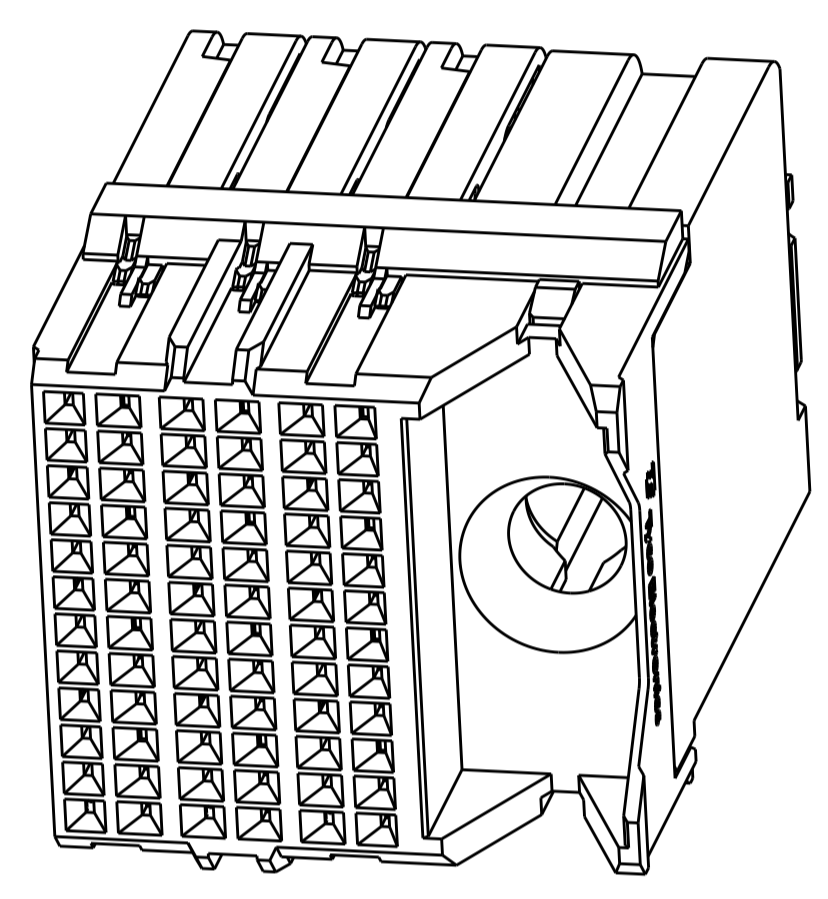


LOC		DIST		REVISIONS			
AD	00	P	LTN	DESCRIPTION	DATE	DWN	APVD
		A		DRAWING CREATED BY AUTOMATION PROGRAM	23MAY2015	AP	DD

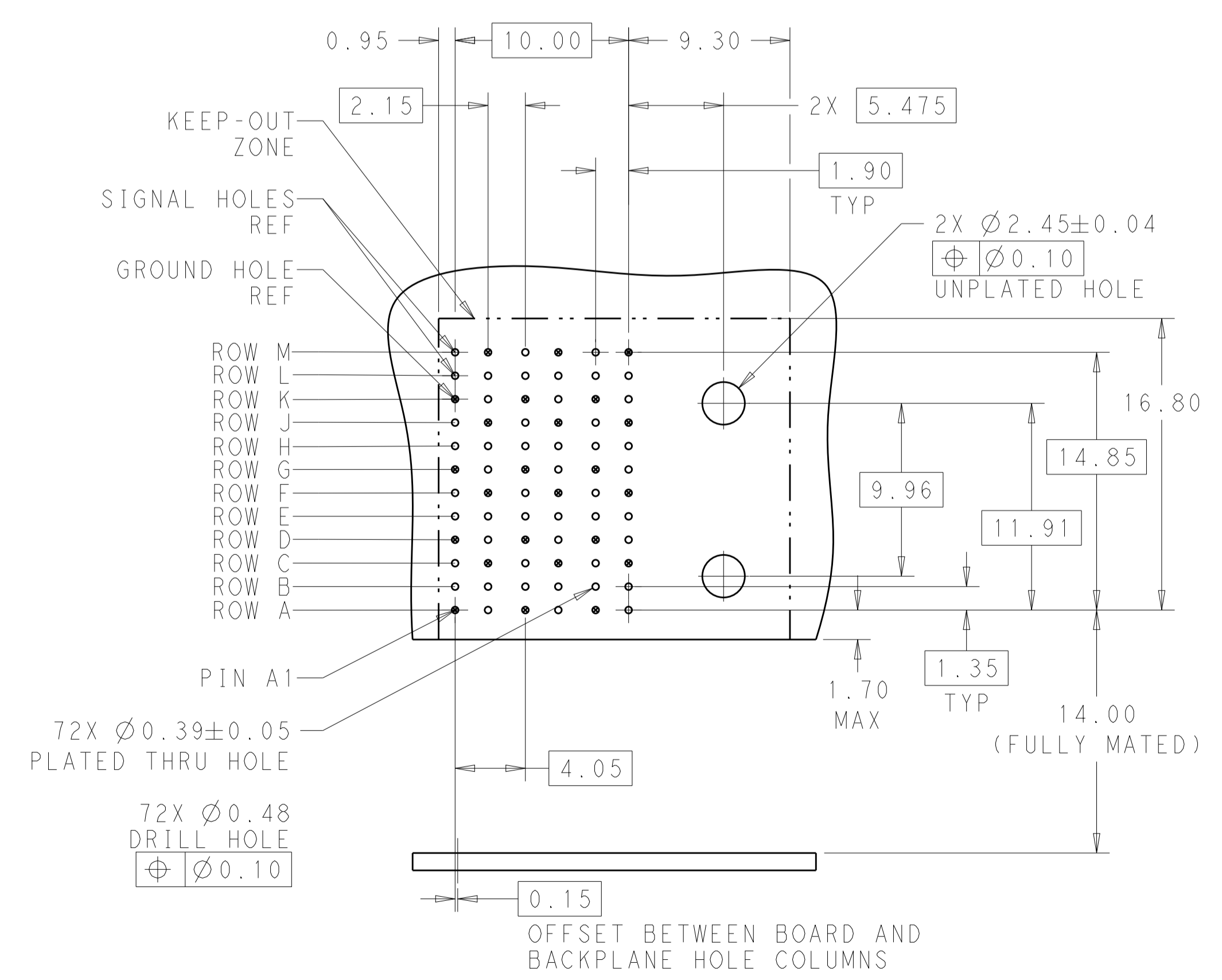
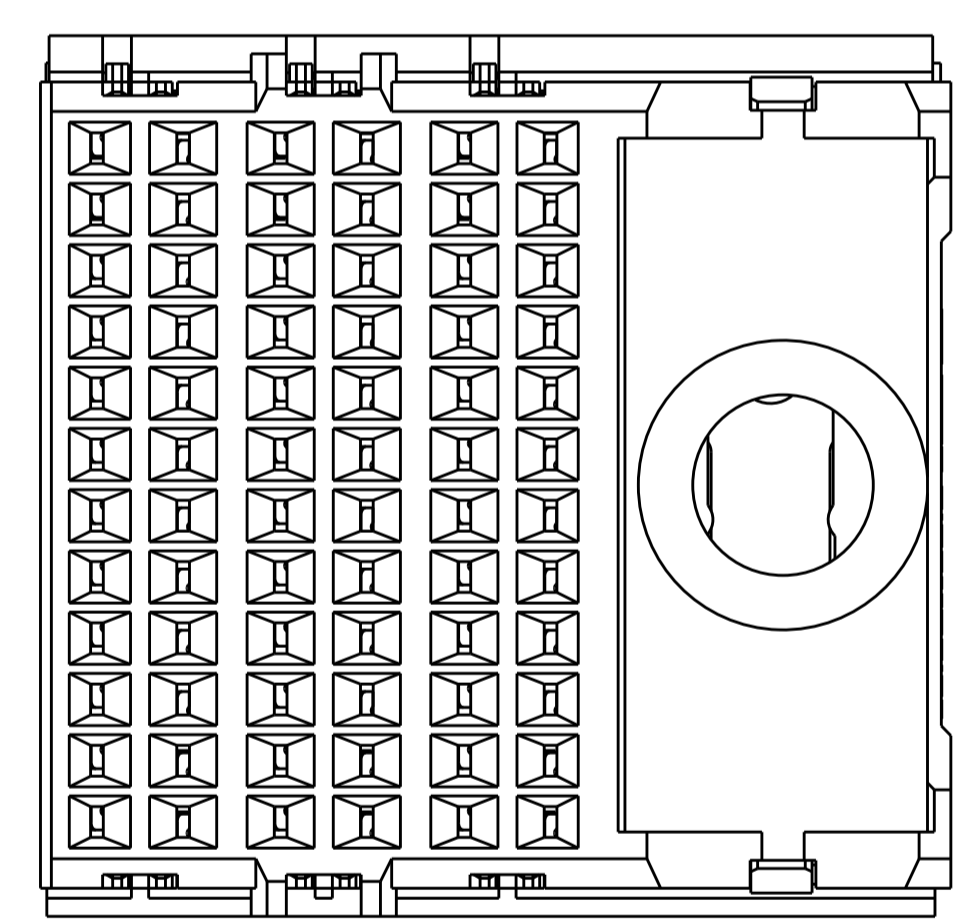


- ⚠ MATERIAL:  
HOUSING: LCP, GLASS FILLED, UL94V-0.  
TERMINALS: HIGH PERFORMANCE COPPER ALLOY.
- ⚠ FINISH:  
30μ" SELECTIVE GOLD IN CONTACT AREA. SELECTIVE TIN ON PCB TAILS, NICKEL OVERALL.
- 3. CONNECTORS SUPPLIED WITH MOUNTING SCREWS.



SCALE 4:1

REFER TO WWW.TE.COM FOR PRODUCT AVAILABILITY



72X Ø0.39±0.05  
PLATED THRU HOLE  
 72X Ø0.48  
DRILL HOLE  
 Ø0.10

OFFSET BETWEEN BOARD AND BACKPLANE HOLE COLUMNS

RECOMMENDED PCB LAYOUT  
 MIN BOARD THICKNESS 1.0

NONE	⚠	2132462-1
KEY POSITION	FINISH	PART NUMBER

THIS DRAWING IS A CONTROLLED DOCUMENT.		DWN AJITH PAI 23MAY2015	TE Connectivity
DIMENSIONS: mm		CHK D. DIXON 23MAY2015	
TOLERANCES UNLESS OTHERWISE SPECIFIED:		APVD D. DIXON 23MAY2015	
0 PLC ± 1 PLC ±0.25 2 PLC ±0.13 3 PLC ± 4 PLC ± ANGLES ±		NAME IMPACT, ORTHOGONAL, 4 PAIR, DAUGHTERCARD, 6 COLUMN, RIGHT GUIDED SIGNAL MODULE, 0.39 EYELET.	
MATERIAL ⚠ SEE TABLE		SIZE CAGE CODE DRAWING NO. A100779C=2132462	RESTRICTED TO
CUSTOMER DRAWING		WEIGHT	SCALE 4:1 SHEET 1 OF 1 REV A