

52x52x15 mm

San Ace 52 9P type   



General Specifications

- Material Frame: Plastic (Flammability: UL 94V-0), Impeller: Plastic (Flammability: UL 94V-1)
- Expected life See the table below. (L10 life: 90% survival rate for continuous operation in free air at 60°C, rated voltage)
- Motor protection function Locked rotor burnout protection, Reverse polarity protection
For details, please refer to p. 547.
- Dielectric strength 50/60 Hz, 500 VAC, for 1 minute (between lead wire conductors and frame)
- Insulation resistance 10 MΩ or more with a 500 VDC megger (between lead wire conductors and frame)
- Sound pressure level (SPL) At 1 m away from the air inlet
- Storage temperature -30 to +70°C (Non-condensing)
- Lead wire ⊕Red ⊖Black or Blue (Sensor) Yellow
- Mass 55 g

Specifications

The models listed below **have ribs and pulse sensors.**

Model no.	Rated voltage [V]	Operating voltage range [V]	Rated current [A]	Rated input [W]	Rated speed [min ⁻¹]	Max. airflow [m ³ /min] [CFM]	Max. static pressure [Pa] [inchH ₂ O]	SPL [dB (A)]	Operating temperature [°C]	Expected life [h]
109P0505M701	5	4.5 to 5.5	0.15	0.75	3700	0.205 7.24	21.4 0.086	22	-20 to +70	60000/60°C
109P0512A701	12	10.2 to 13.8	0.21	2.52	6800	0.375 13.25	69.7 0.28	36		40000/60°C
109P0512H701		7 to 13.8	0.1	1.2	4600	0.255 9.0	31.9 0.128	27		60000/60°C
109P0512M701		0.07	0.84	3700	0.205 7.24	21.4 0.086	22			
109P0524A701	24	14 to 27.6	0.11	2.64	6800	0.375 13.24	69.7 0.28	36	-20 to +60	40000/60°C
109P0524H701			0.05	1.2	4600	0.255 9.0	31.9 0.128	27	-20 to +70	60000/60°C
109P0524M701			0.04	0.96	3700	0.205 7.24	21.4 0.086	22		

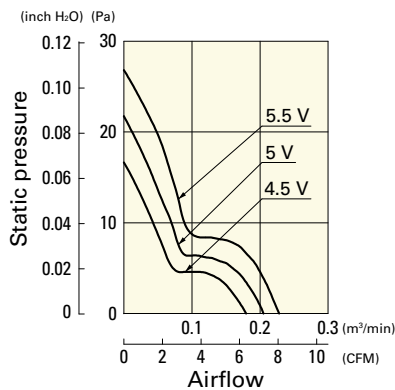
The following sensor and control options are available for selection.

Available for all models. Without sensor Lock sensor

Airflow - Static Pressure Characteristics

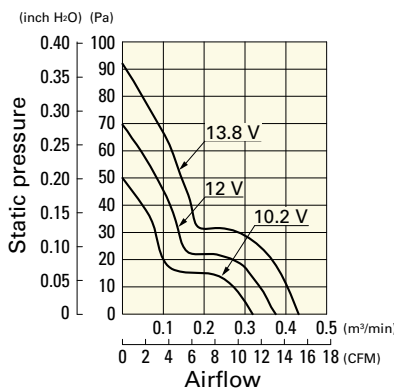
109P0505M701 With pulse sensor

Operating voltage range



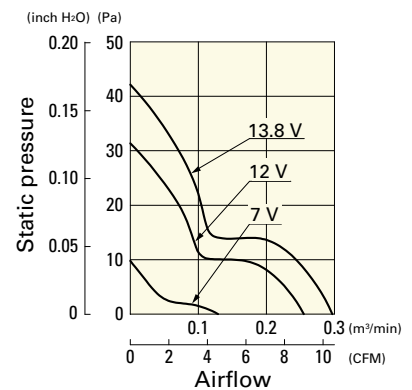
109P0512A701 With pulse sensor

Operating voltage range



109P0512H701 With pulse sensor

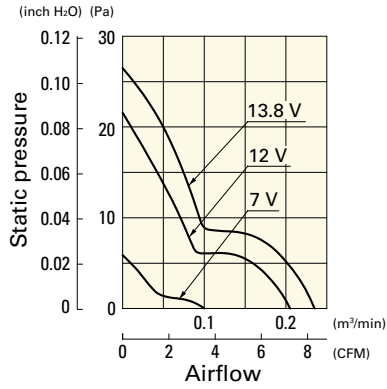
Operating voltage range



Airflow - Static Pressure Characteristics

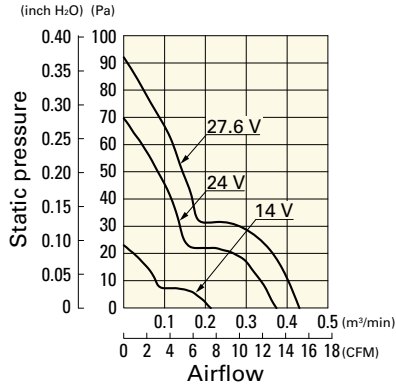
109P0512M701 With pulse sensor

Operating voltage range



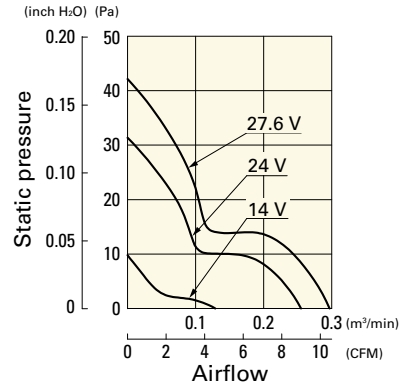
109P0524A701 With pulse sensor

Operating voltage range



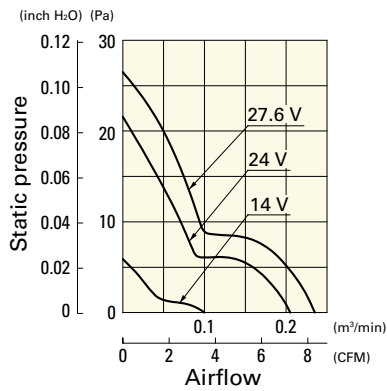
109P0524H701 With pulse sensor

Operating voltage range

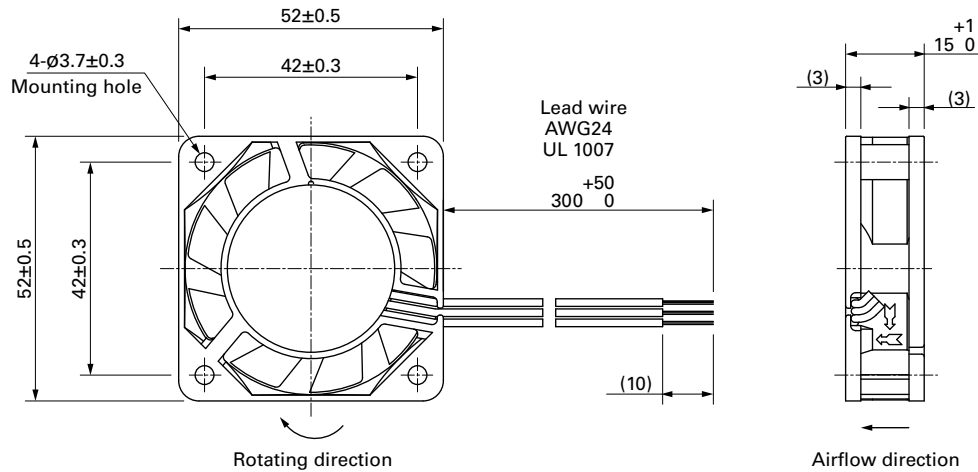


109P0524M701 With pulse sensor

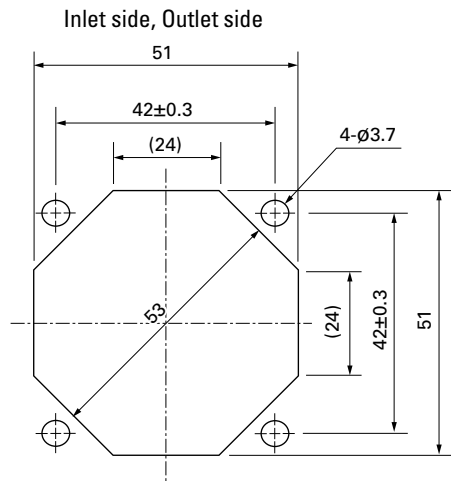
Operating voltage range



Dimensions (unit: mm)



Reference Dimensions of Mounting Holes and Vent Opening (unit: mm)



Options

Finger guards

page: p. 532

Model no.: 109-149E, 109-149