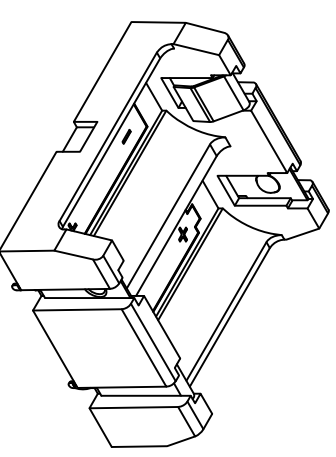
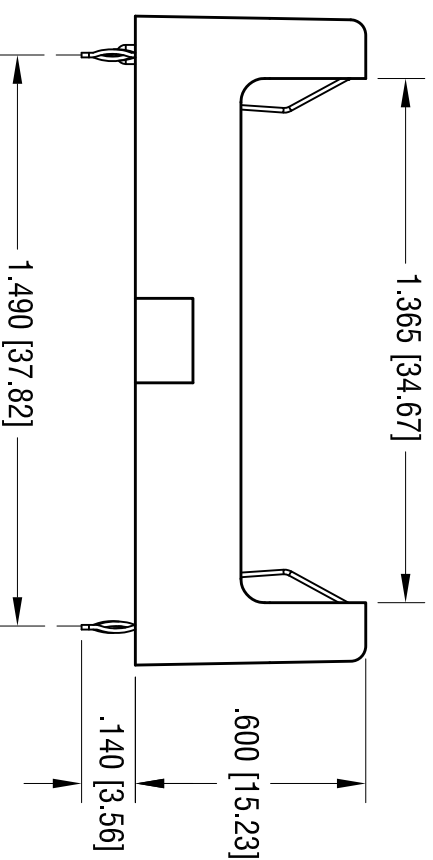
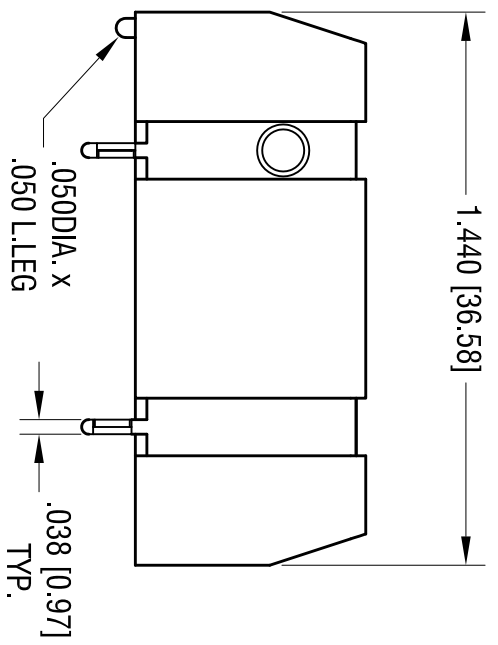
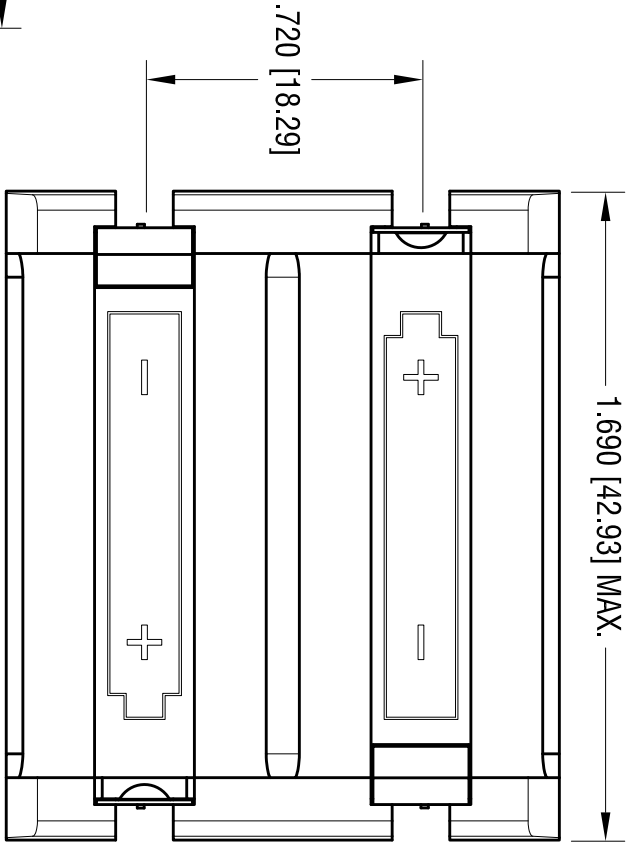
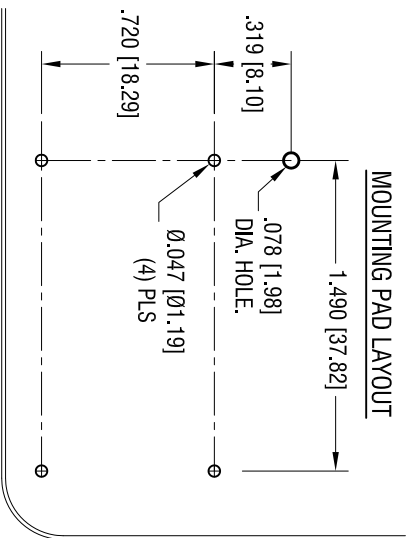


MOUNTING PAD LAYOUT



ACTUAL SIZE

KEYSTONE ELECTRONICS CORP.

www.keystone.com • NEW HYDE PARK, NY 11040 • Tel (516) 328-7500

PART NAME

THM POLARIZED HOLDER, (2) CR123A

MATERIAL

AS NOTED

FINISH

AS NOTED

DRN BY: **HAMILTON**
 App'D: **RH**
 DATE: **9.12.14**
 SCALE: **2X**

TOLERANCES INCH [MM]
 DECIMAL ± .010 [± 0.25]
 ANGULAR ± 1°

UNLESS OTHERWISE SPECIFIED

CODE: **C**
 DWG NO.: **1079**

- NOTE:**
- 1. BASE: **MAT'L: PBT (BLACK COLOR)**
 - 2. CONTACT: **MAT'L: .012 [0.30] THK STAINLESS STEEL**
FINISH: TIN NICKEL PLATE

DATE

1.18.19 CHANGE AS PER ECN 19-007

DESCRIPTION

MAT'L WAS NYLON 46

REV.

A

THIS DOCUMENT IS THE PROPERTY OF
 KEYSTONE ELECTRONICS CORP. AND
 SHALL NOT BE REPRODUCED, DISTRIBUTED
 OR USED AS A BASIS FOR MANUFACTURE
 WITHOUT PRIOR WRITTEN PERMISSION
 FROM KEYSTONE ELECTRONICS CORP.