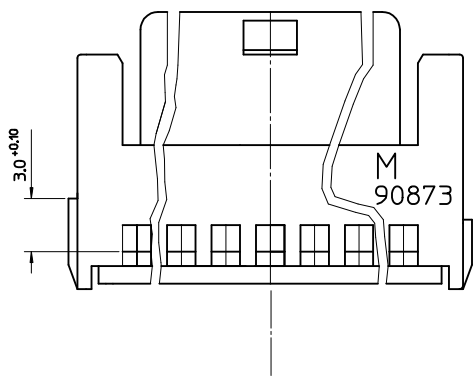
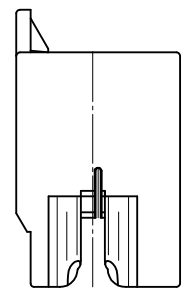


RECOMMENDED PCB LAYOUT NOT TO SCALE THICKNESS 1.5MM +/- 0.20 PCB MAY BE COATED ON ONE OR BOTH SIDES



CCT	DIM A	DIM B	location for rib + slot between ccts	PACKAGING PER BOX
3	5.0	10.1	NONE	1000
4	7.5	12.6	NONE	1000
5	10.0	15.1	NONE	1000
6	12.5	17.6	NONE	500
7	15.0	20.1	3/4	500
8	17.5	22.6	4/5	500
9	20.0	25.1	4/5	500
10	22.5	27.6	5/6	500
11	25.0	30.1	5/6	250
12	27.5	32.6	6/7	250
13	30.0	35.1	6/7	250
14	32.5	37.6	4/5 10/11	250
15	35.0	40.1	4/5 11/12	250
16	37.5	42.6	5/6 11/12	250
17	40.0	45.1	5/6 12/13	250
18	42.5	47.6	5/6 13/14	250
19	45.0	50.1	6/7 13/14	250
20	47.5	52.6	6/7 14/15	250

NOTES:

- MATERIALS: POLYESTER (PBT) , UL94 V-0
COLOUR: SEE PART NO. CHARTS FOR COLOUR
- PRODUCT SPECIFICATION PS-99020-0040

DRAWING ERROR EC NO: E2006-0593 DRWN:DBYRNES 2005/12/15 CHKD: 2005/12/15 APPR:BMAGUIRE 2005/12/20	QUALITY SYMBOLS	GENERAL TOLERANCES (UNLESS SPECIFIED)	SCALE 5:1	DESIGN UNITS METRIC	THIRD ANGLE PROJECTION	REVISE ON CAD ONLY															
	▽ - 0 ∇ - 0	<table border="1"> <tr><th></th><th>mm</th><th>INCH</th></tr> <tr><td>4 PLACES</td><td>± 0.10</td><td>± 0.004</td></tr> <tr><td>3 PLACES</td><td>± 0.15</td><td>± 0.006</td></tr> <tr><td>2 PLACES</td><td>± 0.20</td><td>± 0.008</td></tr> <tr><td>1 PLACE</td><td>± 0.30</td><td>± 0.012</td></tr> </table> ANGULAR ± 1/2°		mm	INCH	4 PLACES	± 0.10	± 0.004	3 PLACES	± 0.15	± 0.006	2 PLACES	± 0.20	± 0.008	1 PLACE	± 0.30	± 0.012	DIMENSION STYLE MM ONLY	TITLE	APPLI-MATE 2.5 MALE GUIDE FRAME	
		mm	INCH																		
	4 PLACES	± 0.10	± 0.004																		
3 PLACES	± 0.15	± 0.006																			
2 PLACES	± 0.20	± 0.008																			
1 PLACE	± 0.30	± 0.012																			
DRAFT WHERE APPLICABLE	MUST REMAIN WITHIN DIMENSIONS	DRAWN BY LKIERNAN CHECKED BY PWHITE APPROVED BY MWILHITE DATE 21/06/99	MATERIAL NO. SEE CHART DOCUMENT NO. SD-90873-001	MOLEX INCORPORATED SHEET NO. 1 OF 3																	
THIS DRAWING CONTAINS INFORMATION THAT IS PROPRIETARY TO MOLEX INCORPORATED AND SHOULD NOT BE USED WITHOUT WRITTEN PERMISSION						A2															

MOLEX PART NO:	CIRCUIT SIZE	COLOUR	POSITION KEYS	CONFIGURATION	REF	WITH LATCH	CONTACT PITCH
90873-0001	3	NATURAL	ALL	□□□□ ++++ 1234	K00	YES	2.5

MOLEX PART NO:	CIRCUIT SIZE	COLOUR	POSITION KEYS	CONFIGURATION	REF	WITH LATCH	CONTACT PITCH
90873-2001	7	NATURAL	ALL	□□□□□□□ ++++++ 1234567	K00	YES	2.5

MOLEX PART NO:	CIRCUIT SIZE	COLOUR	POSITION KEYS	CONFIGURATION	REF	WITH LATCH	CONTACT PITCH
90873-0501	4	NATURAL	ALL	□□□□ ++++ 1234	K00	YES	2.5

MOLEX PART NO:	CIRCUIT SIZE	COLOUR	POSITION KEYS	CONFIGURATION	REF	WITH LATCH	CONTACT PITCH
90873-2501	8	NATURAL	ALL	□□□□□□□□ ++++++ 12345678	K00	YES	2.5

MOLEX PART NO:	CIRCUIT SIZE	COLOUR	POSITION KEYS	CONFIGURATION	REF	WITH LATCH	CONTACT PITCH
90873-1001	5	NATURAL	ALL	□□□□□ +++++ 12345	K00	YES	2.5
90873-1002	5	NATURAL	c d	□□□□□ +++++ 12345	K00	YES	2.5

MOLEX PART NO:	CIRCUIT SIZE	COLOUR	POSITION KEYS	CONFIGURATION	REF	WITH LATCH	CONTACT PITCH
90873-3001	9	NATURAL	ALL	□□□□□□□□□ ++++++ 123456789	K00	YES	2.5

MOLEX PART NO:	CIRCUIT SIZE	COLOUR	POSITION KEYS	CONFIGURATION	REF	WITH LATCH	CONTACT PITCH
90873-1501	6	NATURAL	ALL	□□□□□□ +++++ 123456	K00	YES	2.5

MOLEX PART NO:	CIRCUIT SIZE	COLOUR	POSITION KEYS	CONFIGURATION	REF	WITH LATCH	CONTACT PITCH
90873-3501	10	NATURAL	ALL	□□□□□□□□□□ ++++++ 1234567890	K00	YES	2.5

SEE SHEET: EC NO: E2006-0593 DRWN: DBYRNES 2005/12/15 CHKD: 2005/12/15 APPR: BMAGUIRE 2005/12/20	QUALITY SYMBOLS	GENERAL TOLERANCES (UNLESS SPECIFIED)	SCALE 1:1	DESIGN UNITS METRIC	THIRD ANGLE PROJECTION	REVISE ON CAD ONLY	
	▽ 0	mm INCH	4 PLACES ± --- ± ---	DIMENSION STYLE MM ONLY	TITLE APPLI-MATE 2.5 MALE GUIDE FRAME		
	∇ 0	4 PLACES ± --- ± ---	3 PLACES ± --- ± ---	DRAWN BY LKIERNAN	DATE 21/06/99	MATERIAL NO. SEE CHART	
		2 PLACES ± --- ± ---	1 PLACE ± 0.10 ± ---	CHECKED BY PWHITE	DATE 21/06/99	DOCUMENT NO. SD-90873-001	
	ANGULAR ± 1/2°	DRAFT WHERE APPLICABLE MUST REMAIN WITHIN DIMENSIONS	APPROVED BY MWILHITE	DATE 21/06/99	SHEET NO. 2 OF 3		
THIS DRAWING CONTAINS INFORMATION THAT IS PROPRIETARY TO MOLEX INCORPORATED AND SHOULD NOT BE USED WITHOUT WRITTEN PERMISSION							

MOLEX PART NO:	CIRCUIT SIZE	COLOUR	POSITION KEYS	CONFIGURATION	REF	WITH LATCH	CONTACT PITCH
90873-4001	11	NATURAL	ALL	□□□□□□□□□□ +++++ 1 2 3 4 5 6 7 8 9 10 11	K00	YES	2.5

MOLEX PART NO:	CIRCUIT SIZE	COLOUR	POSITION KEYS	CONFIGURATION	REF	WITH LATCH	CONTACT PITCH
90873-6501	16	NATURAL	ALL	□□□□□□□□□□□□□□ +++++ 1 2 3 4 5 6 7 8 9 10 11 12 13 14 15 16	K00	YES	2.5

MOLEX PART NO:	CIRCUIT SIZE	COLOUR	POSITION KEYS	CONFIGURATION	REF	WITH LATCH	CONTACT PITCH
90873-4501	12	NATURAL	ALL	□□□□□□□□□□ +++++ 1 2 3 4 5 6 7 8 9 10 11 12	K00	YES	2.5

MOLEX PART NO:	CIRCUIT SIZE	COLOUR	POSITION KEYS	CONFIGURATION	REF	WITH LATCH	CONTACT PITCH
90873-7001	17	NATURAL	ALL	□□□□□□□□□□□□□□ +++++ 1 2 3 4 5 6 7 8 9 10 11 12 13 14 15 16 17	K00	YES	2.5

MOLEX PART NO:	CIRCUIT SIZE	COLOUR	POSITION KEYS	CONFIGURATION	REF	WITH LATCH	CONTACT PITCH
90873-5001	13	NATURAL	ALL	□□□□□□□□□□ +++++ 1 2 3 4 5 6 7 8 9 10 11 12 13	K00	YES	2.5

MOLEX PART NO:	CIRCUIT SIZE	COLOUR	POSITION KEYS	CONFIGURATION	REF	WITH LATCH	CONTACT PITCH
90873-7501	18	NATURAL	ALL	□□□□□□□□□□□□□□ +++++ 1 2 3 4 5 6 7 8 9 10 11 12 13 14 15 16 17 18	K00	YES	2.5

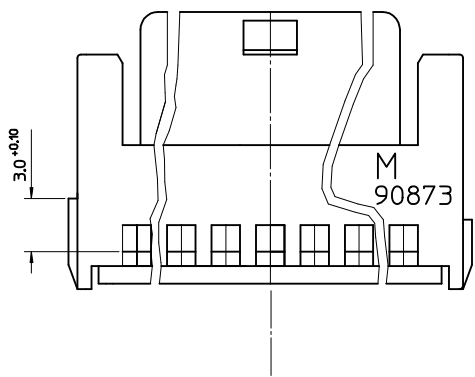
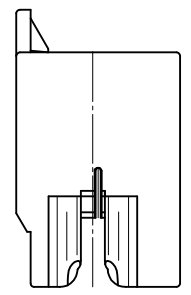
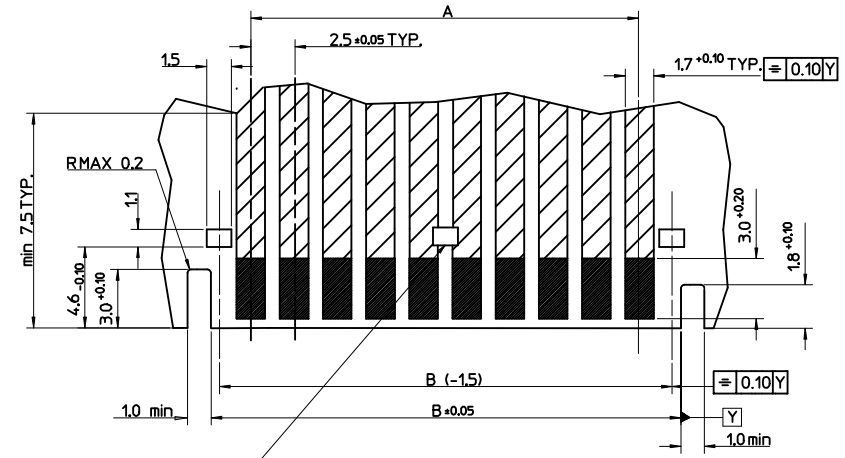
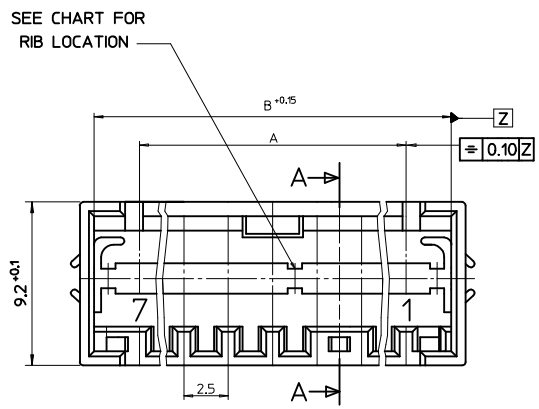
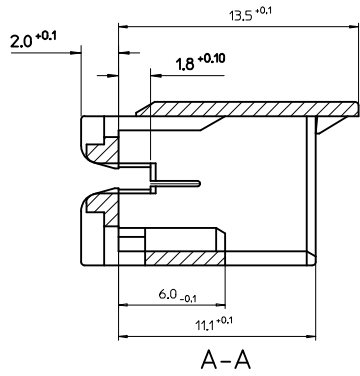
MOLEX PART NO:	CIRCUIT SIZE	COLOUR	POSITION KEYS	CONFIGURATION	REF	WITH LATCH	CONTACT PITCH
90873-5501	14	NATURAL	ALL	□□□□□□□□□□ +++++ 1 2 3 4 5 6 7 8 9 10 11 12 13 14	K00	YES	2.5

MOLEX PART NO:	CIRCUIT SIZE	COLOUR	POSITION KEYS	CONFIGURATION	REF	WITH LATCH	CONTACT PITCH
90873-8001	19	NATURAL	ALL	□□□□□□□□□□□□□□ +++++ 1 2 3 4 5 6 7 8 9 10 11 12 13 14 15 16 17 18 19	K00	YES	2.5

MOLEX PART NO:	CIRCUIT SIZE	COLOUR	POSITION KEYS	CONFIGURATION	REF	WITH LATCH	CONTACT PITCH
90873-6001	15	NATURAL	ALL	□□□□□□□□□□ +++++ 1 2 3 4 5 6 7 8 9 10 11 12 13 14 15	K00	YES	2.5

MOLEX PART NO:	CIRCUIT SIZE	COLOUR	POSITION KEYS	CONFIGURATION	REF	WITH LATCH	CONTACT PITCH
90873-8501	20	NATURAL	ALL	□□□□□□□□□□□□□□ +++++ 1 2 3 4 5 6 7 8 9 10 11 12 13 14 15 16 17 18 19 20	K00	YES	2.5

SEE SHEET 1 EC NO: E2006-0593 DRAWN: DBYRNES 2005/12/15 CHKD: 2005/12/15 APPR: BMAIGUIRE 2005/12/20 DESCRIPTION REV	QUALITY SYMBOLS	GENERAL TOLERANCES (UNLESS SPECIFIED) mm INCH 4 PLACES ± --- ± --- 3 PLACES ± --- ± --- 2 PLACES ± --- ± --- 1 PLACE ± 0.10 ± --- ANGULAR ± 1/2° DRAFT WHERE APPLICABLE MUST REMAIN WITHIN DIMENSIONS	SCALE 1:1	DESIGN UNITS METRIC	THIRD ANGLE PROJECTION	REVISE ON CAD ONLY	
	0 0		DIMENSION STYLE MM ONLY	TITLE	APPLI-MATE 2.5 MALE GUIDE FRAME		
			DRAWN BY LKIERNAN DATE 21/06/99	MATERIAL NO. SEE CHART		DOCUMENT NO. SD-90873-001	SHEET NO. 3 OF 3
			CHECKED BY PWHITE DATE 21/06/99	MATERIAL NO. SEE CHART		DOCUMENT NO. SD-90873-001	SHEET NO. 3 OF 3
THIS DRAWING CONTAINS INFORMATION THAT IS PROPRIETARY TO MOLEX INCORPORATED AND SHOULD NOT BE USED WITHOUT WRITTEN PERMISSION							



CCT	DIM A	DIM B	location for rib + slot between ccts	PACKAGING PER BOX
3	5.0	10.1	NONE	1000
4	7.5	12.6	NONE	1000
5	10.0	15.1	NONE	1000
6	12.5	17.6	NONE	500
7	15.0	20.1	3/4	500
8	17.5	22.6	4/5	500
9	20.0	25.1	4/5	500
10	22.5	27.6	5/6	500
11	25.0	30.1	5/6	250
12	27.5	32.6	6/7	250
13	30.0	35.1	6/7	250
14	32.5	37.6	4/5 10/11	250
15	35.0	40.1	4/5 11/12	250
16	37.5	42.6	5/6 11/12	250
17	40.0	45.1	5/6 12/13	250
18	42.5	47.6	5/6 13/14	250
19	45.0	50.1	6/7 13/14	250
20	47.5	52.6	6/7 14/15	250

NOTES:

- MATERIALS: POLYESTER (PBT) , UL94 V-0
COLOUR: SEE PART NO. CHARTS FOR COLOUR
- PRODUCT SPECIFICATION PS-99020-0040

DRAWING ERROR EC NO: E2006-0593 DRWN:DBYRNES 2005/12/15 CHKD: 2005/12/15 APPR:BMAGUIRE 2005/12/20	QUALITY SYMBOLS	GENERAL TOLERANCES (UNLESS SPECIFIED)	SCALE 5:1	DESIGN UNITS METRIC	THIRD ANGLE PROJECTION	REVISE ON CAD ONLY															
	▽ - 0 ∇ - 0	<table border="1"> <tr><th></th><th>mm</th><th>INCH</th></tr> <tr><td>4 PLACES</td><td>± ---</td><td>± ---</td></tr> <tr><td>3 PLACES</td><td>± ---</td><td>± ---</td></tr> <tr><td>2 PLACES</td><td>± ---</td><td>± ---</td></tr> <tr><td>1 PLACE</td><td>± 0.10</td><td>± ---</td></tr> </table> ANGULAR ±1/2°		mm	INCH	4 PLACES	± ---	± ---	3 PLACES	± ---	± ---	2 PLACES	± ---	± ---	1 PLACE	± 0.10	± ---	DIMENSION STYLE MM ONLY DRAWN BY LKIERNAN DATE 21/06/99 CHECKED BY PWHITE DATE 21/06/99 APPROVED BY MWILHITE DATE 21/06/99	TITLE	APPLI-MATE 2.5 MALE GUIDE FRAME	
		mm	INCH																		
	4 PLACES	± ---	± ---																		
3 PLACES	± ---	± ---																			
2 PLACES	± ---	± ---																			
1 PLACE	± 0.10	± ---																			
DRAFT WHERE APPLICABLE		MATERIAL NO. SEE CHART		DOCUMENT NO. SD-90873-001																	
MUST REMAIN WITHIN DIMENSIONS		THIS DRAWING CONTAINS INFORMATION THAT IS PROPRIETARY TO MOLEX INCORPORATED AND SHOULD NOT BE USED WITHOUT WRITTEN PERMISSION		SHEET NO. 1 OF 3																	

MOLEX PART NO:	CIRCUIT SIZE	COLOUR	POSITION KEYS	CONFIGURATION	REF	WITH LATCH	CONTACT PITCH
90873-0001	3	NATURAL	ALL	□□□□ ++++ 1234	K00	YES	2.5

MOLEX PART NO:	CIRCUIT SIZE	COLOUR	POSITION KEYS	CONFIGURATION	REF	WITH LATCH	CONTACT PITCH
90873-2001	7	NATURAL	ALL	□□□□□□□ ++++++ 1234567	K00	YES	2.5

MOLEX PART NO:	CIRCUIT SIZE	COLOUR	POSITION KEYS	CONFIGURATION	REF	WITH LATCH	CONTACT PITCH
90873-0501	4	NATURAL	ALL	□□□□ ++++ 1234	K00	YES	2.5

MOLEX PART NO:	CIRCUIT SIZE	COLOUR	POSITION KEYS	CONFIGURATION	REF	WITH LATCH	CONTACT PITCH
90873-2501	8	NATURAL	ALL	□□□□□□□□ ++++++ 12345678	K00	YES	2.5

MOLEX PART NO:	CIRCUIT SIZE	COLOUR	POSITION KEYS	CONFIGURATION	REF	WITH LATCH	CONTACT PITCH
90873-1001	5	NATURAL	ALL	□□□□□ +++++ 12345	K00	YES	2.5
90873-1002	5	NATURAL	c d	□□□□□ +++++ 12345	K00	YES	2.5

MOLEX PART NO:	CIRCUIT SIZE	COLOUR	POSITION KEYS	CONFIGURATION	REF	WITH LATCH	CONTACT PITCH
90873-3001	9	NATURAL	ALL	□□□□□□□□□ ++++++ 123456789	K00	YES	2.5

MOLEX PART NO:	CIRCUIT SIZE	COLOUR	POSITION KEYS	CONFIGURATION	REF	WITH LATCH	CONTACT PITCH
90873-1501	6	NATURAL	ALL	□□□□□□ +++++ 123456	K00	YES	2.5

MOLEX PART NO:	CIRCUIT SIZE	COLOUR	POSITION KEYS	CONFIGURATION	REF	WITH LATCH	CONTACT PITCH
90873-3501	10	NATURAL	ALL	□□□□□□□□□□ ++++++ 1234567890	K00	YES	2.5

SEE SHEET: EC NO: E2006-0593 DRWN: DBYRNES 2005/12/15 CHKD: 2005/12/15 APPR: BMAGUIRE 2005/12/20	QUALITY SYMBOLS	GENERAL TOLERANCES (UNLESS SPECIFIED)	SCALE 1:1	DESIGN UNITS METRIC	THIRD ANGLE PROJECTION	REVISE ON CAD ONLY	
	▽ 0	mm INCH	DIMENSION STYLE MM ONLY	TITLE APPLI-MATE 2.5 MALE GUIDE FRAME			
	∇ 0	4 PLACES ± --- ± --- 3 PLACES ± --- ± --- 2 PLACES ± --- ± --- 1 PLACE ± 0.10 ± ---	DRAWN BY DATE LKIERNAN 21/06/99 CHECKED BY DATE PWHITE 21/06/99	MATERIAL NO. SEE CHART DOCUMENT NO. SD-90873-001 SHEET NO. 2 OF 3			
		ANGULAR ±1/2°	DRAFT WHERE APPLICABLE MUST REMAIN WITHIN DIMENSIONS	MOLEX INCORPORATED THIS DRAWING CONTAINS INFORMATION THAT IS PROPRIETARY TO MOLEX INCORPORATED AND SHOULD NOT BE USED WITHOUT WRITTEN PERMISSION			

MOLEX PART NO:	CIRCUIT SIZE	COLOUR	POSITION KEYS	CONFIGURATION	REF	WITH LATCH	CONTACT PITCH
90873-4001	11	NATURAL	ALL	□□□□□□□□□□ +++++ 1 2 3 4 5 6 7 8 9 10 11	K00	YES	2.5

MOLEX PART NO:	CIRCUIT SIZE	COLOUR	POSITION KEYS	CONFIGURATION	REF	WITH LATCH	CONTACT PITCH
90873-6501	16	NATURAL	ALL	□□□□□□□□□□□□ +++++ 1 2 3 4 5 6 7 8 9 10 11 12 13 14 15 16	K00	YES	2.5

MOLEX PART NO:	CIRCUIT SIZE	COLOUR	POSITION KEYS	CONFIGURATION	REF	WITH LATCH	CONTACT PITCH
90873-4501	12	NATURAL	ALL	□□□□□□□□□□ +++++ 1 2 3 4 5 6 7 8 9 10 11 12	K00	YES	2.5

MOLEX PART NO:	CIRCUIT SIZE	COLOUR	POSITION KEYS	CONFIGURATION	REF	WITH LATCH	CONTACT PITCH
90873-7001	17	NATURAL	ALL	□□□□□□□□□□□□ +++++ 1 2 3 4 5 6 7 8 9 10 11 12 13 14 15 16 17	K00	YES	2.5

MOLEX PART NO:	CIRCUIT SIZE	COLOUR	POSITION KEYS	CONFIGURATION	REF	WITH LATCH	CONTACT PITCH
90873-5001	13	NATURAL	ALL	□□□□□□□□□□ +++++ 1 2 3 4 5 6 7 8 9 10 11 12 13	K00	YES	2.5

MOLEX PART NO:	CIRCUIT SIZE	COLOUR	POSITION KEYS	CONFIGURATION	REF	WITH LATCH	CONTACT PITCH
90873-7501	18	NATURAL	ALL	□□□□□□□□□□□□ +++++ 1 2 3 4 5 6 7 8 9 10 11 12 13 14 15 16 17 18	K00	YES	2.5

MOLEX PART NO:	CIRCUIT SIZE	COLOUR	POSITION KEYS	CONFIGURATION	REF	WITH LATCH	CONTACT PITCH
90873-5501	14	NATURAL	ALL	□□□□□□□□□□ +++++ 1 2 3 4 5 6 7 8 9 10 11 12 13 14	K00	YES	2.5

MOLEX PART NO:	CIRCUIT SIZE	COLOUR	POSITION KEYS	CONFIGURATION	REF	WITH LATCH	CONTACT PITCH
90873-8001	19	NATURAL	ALL	□□□□□□□□□□□□ +++++ 1 2 3 4 5 6 7 8 9 10 11 12 13 14 15 16 17 18 19	K00	YES	2.5

MOLEX PART NO:	CIRCUIT SIZE	COLOUR	POSITION KEYS	CONFIGURATION	REF	WITH LATCH	CONTACT PITCH
90873-6001	15	NATURAL	ALL	□□□□□□□□□□ +++++ 1 2 3 4 5 6 7 8 9 10 11 12 13 14 15	K00	YES	2.5

MOLEX PART NO:	CIRCUIT SIZE	COLOUR	POSITION KEYS	CONFIGURATION	REF	WITH LATCH	CONTACT PITCH
90873-8501	20	NATURAL	ALL	□□□□□□□□□□□□ +++++ 1 2 3 4 5 6 7 8 9 10 11 12 13 14 15 16 17 18 19 20	K00	YES	2.5

SEE SHEET 1 EC NO: E2006-0593 DRAWN: DBYRNES 2005/12/15 CHKD: 2005/12/15 APPR: BMAIGUIRE 2005/12/20 DESCRIPTION REV	QUALITY SYMBOLS	GENERAL TOLERANCES (UNLESS SPECIFIED) mm INCH 4 PLACES ± --- ± --- 3 PLACES ± --- ± --- 2 PLACES ± --- ± --- 1 PLACE ± 0.10 ± --- ANGULAR ± 1/2° DRAFT WHERE APPLICABLE MUST REMAIN WITHIN DIMENSIONS	SCALE 1:1	DESIGN UNITS METRIC	THIRD ANGLE PROJECTION	REVISE ON CAD ONLY	
	0 0		DIMENSION STYLE MM ONLY	TITLE	APPLI-MATE 2.5 MALE GUIDE FRAME		
			DRAWN BY LKIERNAN DATE 21/06/99	MATERIAL NO. SEE CHART		DOCUMENT NO. SD-90873-001	SHEET NO. 3 OF 3
			CHECKED BY PWHITE DATE 21/06/99	MATERIAL NO. SEE CHART		DOCUMENT NO. SD-90873-001	SHEET NO. 3 OF 3
THIS DRAWING CONTAINS INFORMATION THAT IS PROPRIETARY TO MOLEX INCORPORATED AND SHOULD NOT BE USED WITHOUT WRITTEN PERMISSION							