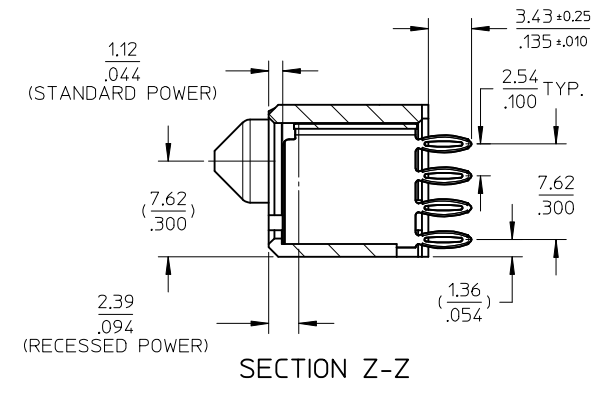
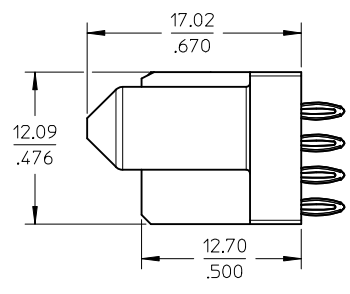
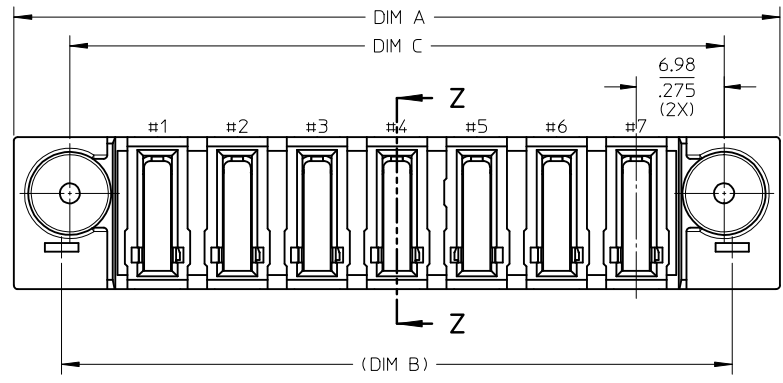
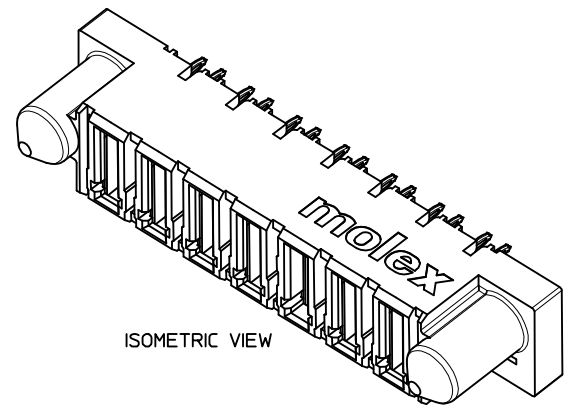
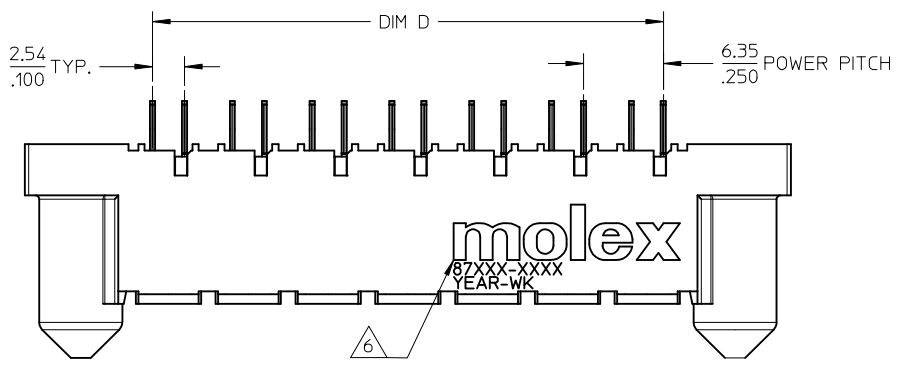


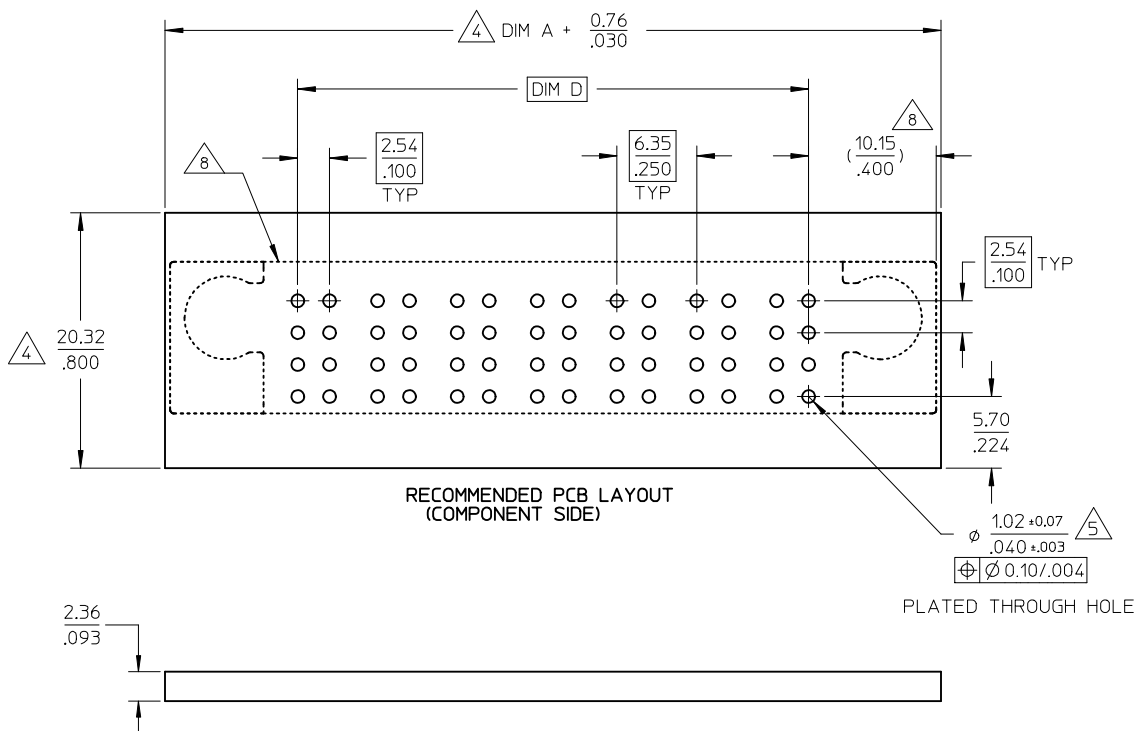
10 9 8 7 6 5 4 3 2 1



REVISED EC NO: S2014-0060 DRWN:SKANG 2013/07/16 CHKD:MLONG 2013/09/06 APPR:MLONG 2013/09/09	DESCRIPTION REV	QUALITY SYMBOLS $F_A=0$ $F_C=0$ $F_P=0$	GENERAL TOLERANCES (UNLESS SPECIFIED)		DIMENSION STYLE MM/IN		SCALE NTS	DESIGN UNITS METRIC	THIRD ANGLE PROJECTION		
			4 PLACES ± --- ± --- 3 PLACES ± --- ± --- 2 PLACES ± 0.13 ± --- 1 PLACE ± 0.25 ± --- 0 PLACE ± ±	mm INCH	DRAWN BY KMG0H	DATE 2002/09/23	TITLE POWER CONN. RECEPTACLE ALL POWER CONFIGURATION VERTICAL PRESS-FIT				
			ANGULAR ± 3 ° DRAFT WHERE APPLICABLE MUST REMAIN WITHIN DIMENSIONS	SEE TABLE		APPROVED BY SKTOH	DATE 2002/10/30	molex			
		D1				MATERIAL NO. SEE TABLE	DATE 2002/10/30	DOCUMENT NO. SD-87691-010	SHEET NO. 1 OF 2		

9 8 7 6 5 4 3 2 1

10	9	8	7	6	5	4	3	2	1
PART NUMBER	ALL POWER CONFIGURATION	RECESSED POWER CIRCUIT	DIM A	DIM B	DIM C	DIM D	PACKAGING	PLATING OPTION	
87691-1007	7	NIL	60.96 2.400	53.34 2.100	52.07 2.050	40.64 1.600	TRAY	TIN	
87691-2002	5	#1 & #5	48.26 1.900	40.64 1.600	39.37 1.550	27.94 1.100			
87691-2003	2	NIL	29.21 1.150	21.59 0.850	20.32 0.800	8.89 0.350			



CONNECTOR - NOTES

1. MATERIALS :

- HOUSING - LCP, GLASS FILLED, UL94-0,COLOR:BLACK.
- POWER PIN - COPPER ALLOY

2. FINISH :

POWER CONTACTS

- 0.76 MICROMETER MINIMUM GOLD (Au) AT CONTACT AREA AND 2.54 MICROMETER MINIMUM TIN AT SOLDER TAIL AREA OVER 1.27um MIN. NICKEL (Ni) UNDERPLATE.

3. PRODUCT SPECIFICATION: PS-87633-006.

△4 COMPONENT STAY AWAY ZONE FROM CONNECTOR.

△5 PCB NOTE FOR DIAMETER 1.02/.040 PLATED HOLE.

- DRILLED HOLE SIZE IS 1.151/.0453

- PLATE WITH 0.007/.0003 MINIMUM TIN OVER 0.03/.001

TO 0.08/.003 COPPER PLATING TO ACHIEVE 1.02±0.08/.040±.003 HOLE.

SEE SHEET 2 FOR RECOMMENDED PCB LAYOUT.

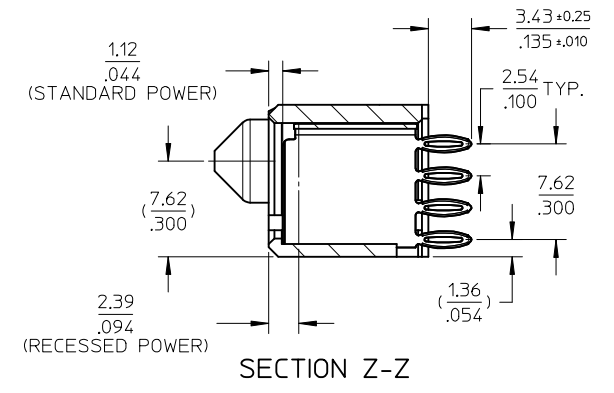
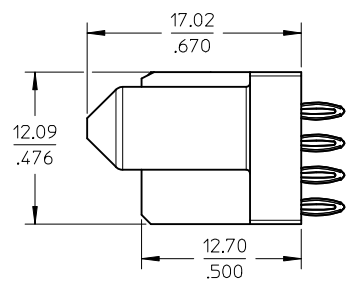
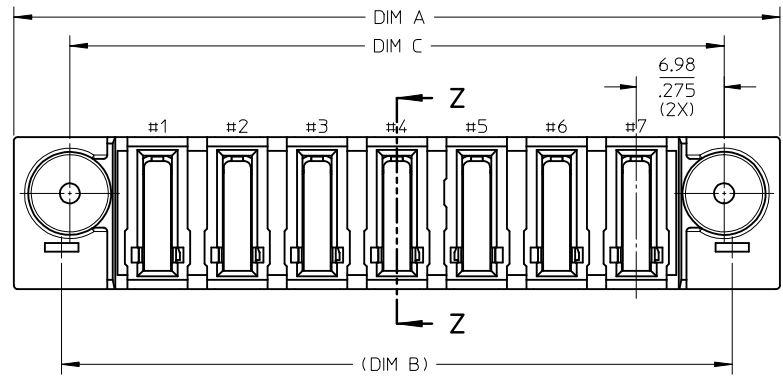
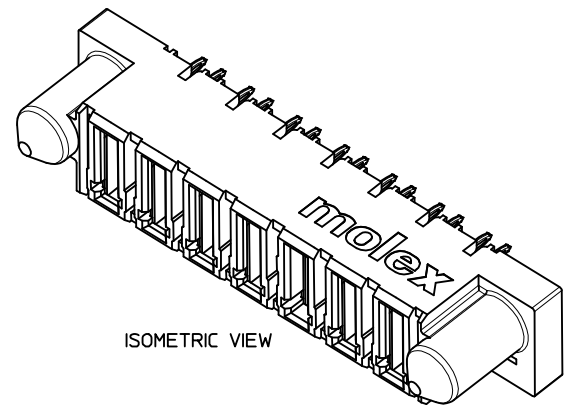
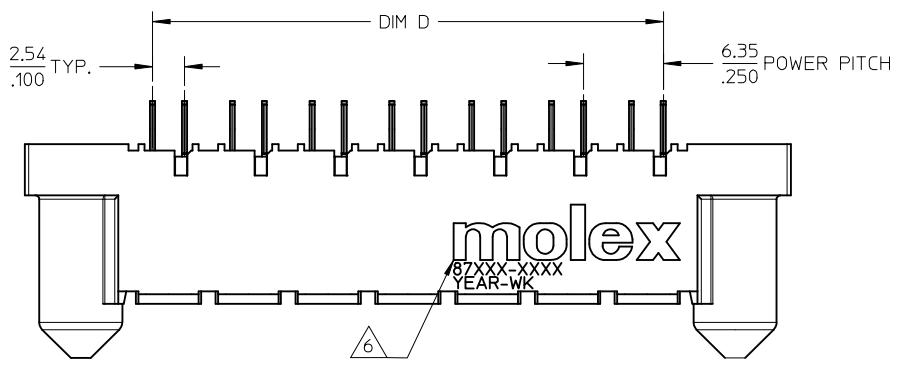
△6 MANUFACTURER LOGO,PART NUMBER AND YEAR-WEEK CODE.

7. 7 POWER CIRCUIT CONFIGURATION IS SHOWN FOR ILLUSTRATION.

△8 IMAGINARY LINE & DIMENSION TO POSITION AND PROVIDE CONNECTOR ORIENTATION W.R.T. PCB LAYOUT.

REVISED	EC NO: S2014-0060	DRW:SKANG	CHKD:MLONG	APPR:MLONG	DESCRIPTION	QUALITY SYMBOLS	GENERAL TOLERANCES (UNLESS SPECIFIED)		DIMENSION STYLE		SCALE	DESIGN UNITS	THIRD ANGLE PROJECTION	
							mm	INCH	MM/IN	NTS	METRIC	DATE	DATE	TITLE
						F <sub>A</sub> =0	4 PLACES	± ---	± ---	DRAWN BY	DATE		POWER CONN. RECEPTACLE ALL POWER CONFIGURATION VERTICAL PRESS-FIT	molex
						F <sub>E</sub> =0	3 PLACES	± ---	± ---	CHECKED BY	DATE			
						F <sub>B</sub> =0	2 PLACES	± 0.13	± ---	PTLIM	DATE			
							1 PLACE	± 0.25	± ---	APPROVED BY	DATE			
							0 PLACE	±	±	SKTOH	DATE			
							ANGULAR ± 3 °		MATERIAL NO.		DOCUMENT NO.		SHEET NO.	
							DRAFT WHERE APPLICABLE MUST REMAIN WITHIN DIMENSIONS		SEE TABLE		SD-87691-010		2 OF 2	
							THIS DRAWING CONTAINS INFORMATION THAT IS PROPRIETARY TO MOLEX INCORPORATED AND SHOULD NOT BE USED WITHOUT WRITTEN PERMISSION							

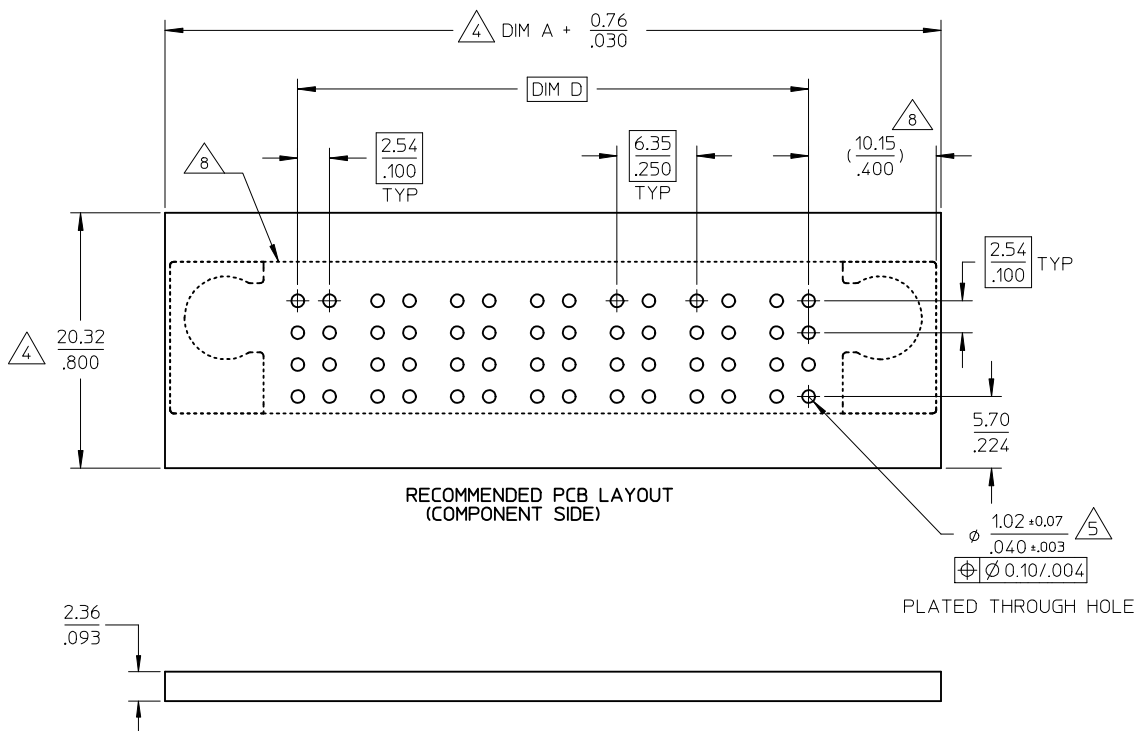
10 9 8 7 6 5 4 3 2 1



REVISED EC NO: S2014-0060 DRWN:SKANG 2013/07/16 CHKD:MLONG 2013/09/06 APPR:MLONG 2013/09/09	DESCRIPTION REV	QUALITY SYMBOLS $F_A=0$ $F_C=0$ $F_P=0$	GENERAL TOLERANCES (UNLESS SPECIFIED)		DIMENSION STYLE MM/IN		SCALE NTS	DESIGN UNITS METRIC	THIRD ANGLE PROJECTION		
			4 PLACES ± --- ± --- 3 PLACES ± --- ± --- 2 PLACES ± 0.13 ± --- 1 PLACE ± 0.25 ± --- 0 PLACE ± ±	mm INCH	DRAWN BY KMG0H	DATE 2002/09/23	TITLE POWER CONN. RECEPTACLE ALL POWER CONFIGURATION VERTICAL PRESS-FIT				
			ANGULAR ± 3 ° DRAFT WHERE APPLICABLE MUST REMAIN WITHIN DIMENSIONS	SEE TABLE		APPROVED BY SKTOH	DATE 2002/10/30	molex			
		D1				MATERIAL NO.	DOCUMENT NO. SD-87691-010	SHEET NO. 1 OF 2			

9 8 7 6 5 4 3 2 1

10	9	8	7	6	5	4	3	2	1
PART NUMBER	ALL POWER CONFIGURATION	RECESSED POWER CIRCUIT	DIM A	DIM B	DIM C	DIM D	PACKAGING	PLATING OPTION	
87691-1007	7	NIL	60.96 2.400	53.34 2.100	52.07 2.050	40.64 1.600	TRAY	TIN	
87691-2002	5	#1 & #5	48.26 1.900	40.64 1.600	39.37 1.550	27.94 1.100			
87691-2003	2	NIL	29.21 1.150	21.59 0.850	20.32 0.800	8.89 0.350			



CONNECTOR - NOTES

1. MATERIALS :

- HOUSING - LCP, GLASS FILLED, UL94-0,COLOR:BLACK.
- POWER PIN - COPPER ALLOY

2. FINISH :

POWER CONTACTS

- 0.76 MICROMETER MINIMUM GOLD (Au) AT CONTACT AREA AND
- 2.54 MICROMETER MINIMUM TIN AT SOLDER TAIL AREA
- OVER 1.27um MIN. NICKEL (Ni) UNDERPLATE.

3. PRODUCT SPECIFICATION: PS-87633-006.

△4 COMPONENT STAY AWAY ZONE FROM CONNECTOR.

△5 PCB NOTE FOR DIAMETER 1.02/.040 PLATED HOLE.

- DRILLED HOLE SIZE IS 1.151/.0453

- PLATE WITH 0.007/.0003 MINIMUM TIN OVER 0.03/.001

TO 0.08/.003 COPPER PLATING TO ACHIEVE 1.02+0.08/.040+0.003 HOLE.

SEE SHEET 2 FOR RECOMMENDED PCB LAYOUT.

△6 MANUFACTURER LOGO,PART NUMBER AND YEAR-WEEK CODE.

7. 7 POWER CIRCUIT CONFIGURATION IS SHOWN FOR ILLUSTRATION.

△8 IMAGINARY LINE & DIMENSION TO POSITION AND PROVIDE CONNECTOR ORIENTATION W.R.T. PCB LAYOUT.

<b>REVISED</b> EC NO: S2014-0060 DRW:SKANG 2013/07/16 CHKD:MLONG 2013/09/06 APPR:MLONG 2013/09/09 D1	QUALITY SYMBOLS	GENERAL TOLERANCES (UNLESS SPECIFIED)		DIMENSION STYLE		SCALE	DESIGN UNITS	THIRD ANGLE PROJECTION	
	▽ <sub>A</sub> =0	mm	INCH	MM/IN		NTS	METRIC		
	▽ <sub>E</sub> =0	4 PLACES ± ---	± ---	DRAWN BY	DATE	TITLE			
	▽ <sub>F</sub> =0	3 PLACES ± ---	± ---	KMGOH	2002/09/23	POWER CONN. RECEPTACLE ALL POWER CONFIGURATION VERTICAL PRESS-FIT			
	2 PLACES ± 0.13	± ---	CHECKED BY	DATE	<b>molex</b> DOCUMENT NO. SD-87691-010 SHEET NO. 2 OF 2				
	1 PLACE ± 0.25	± ---	PTLIM	2002/10/30					
	0 PLACE ±	±	APPROVED BY	DATE					
			SKTOH	2002/10/30					
			MATERIAL NO.						
			ANGULAR ± 3 °						
			DRAFT WHERE APPLICABLE MUST REMAIN WITHIN DIMENSIONS						
			SIZE	THIS DRAWING CONTAINS INFORMATION THAT IS PROPRIETARY TO MOLEX INCORPORATED AND SHOULD NOT BE USED WITHOUT WRITTEN PERMISSION					
			A3						