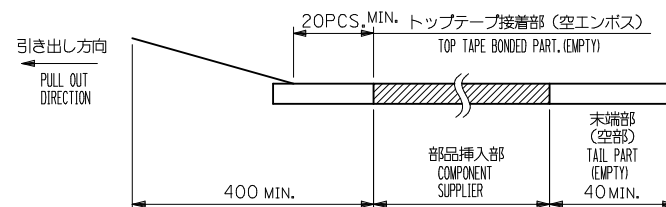
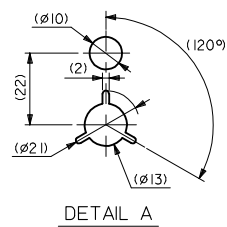
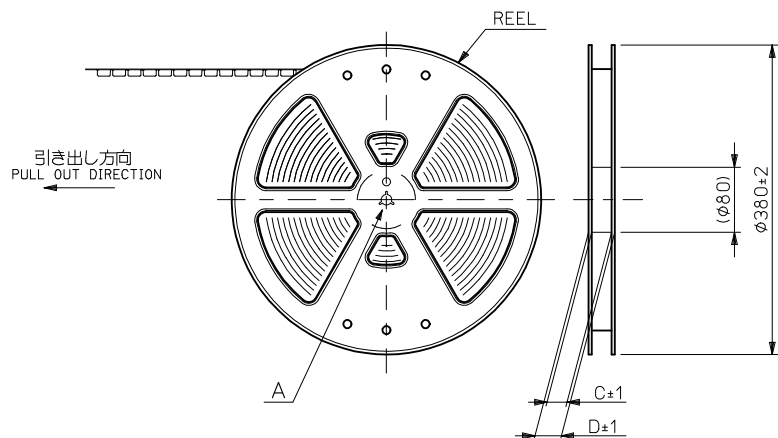
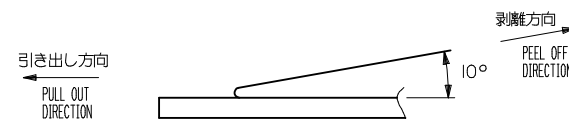


注記 NOTES

- 製品詳細寸法については、図面SD-54393-024を参照下さい。
RE DETAILED DIMENSION, SEE SD-54393-024.
- 梱包数量：2000個/リール
NUMBER OF CONNECTORS : 2000PCS/REEL
- リードテープ長さ LEAD TAPE LENGTH



- トップテープの剥離強度：0.1N~1.3N {10gf~130gf}
(剥離方向は下図参照)
尚、本規格値は出荷時に適用。(但し、輸送時に剥離が発生しないこと。)
PEELING OFF FORCE OF TOP TAPE : 0.1N ~ 1.3N {10gf ~ 130gf}
(PEELING DIRECTION AS SHOWN IN FOLLOWING FIG.)
THIS REQUIREMENT SHOULD BE APPLIED AT SHIPMENT.
PEEL OFF SHOULD NOT BE ALLOWED, DURING TRANSPORTATION.



- 材料 (MATERIAL)
キャリアテープ (CARRIER TAPE) : ポリプロピレン (POLYPROPYLENE)
トップテープ (TOP TAPE) : PET, PE, PEF
リール (REEL) : ポリスチレン (PS) <リサイクル材を含む>
POLYSTYREN (PS) <RECYCLE MATERIAL CONTAINED>
- 本製品は54393-**-91の鉛フリー品です。
THIS PRODUCT IS LEAD FREE OF 54393-**-91

REVISED EC NO: J2017-0534 DRAWINGS CHKD: APPR: MSASAO	DESCRIPTION 2017/04/27 2017/05/26	GENERAL TOLERANCES (UNLESS SPECIFIED)		DIMENSION STYLE MM ONLY		SCALE ---	54393-**-81	MODEL NO.
		0.25 UNDER ±		DRAWN BY H. SHIMABUKUR		DATE '04/01/29	DESIGN UNITS METRIC	THIRD ANGLE PROJECTION
		0.25 OVER 0.5 UNDER ±		CHECKED BY K. TOJO		DATE '04/01/29	0.3 FPC CONN (EASY ON) HSG ASSY EMBSTP PKG -LEAD FREE- molex	
		0.5 OVER 1.0 UNDER ±		APPROVED BY M. SASAO		DATE '04/01/29		
0 OVER 10 UNDER ±---		MATERIAL NO.		DOCUMENT NO.		SHEET NO.		
10 OVER 30 UNDER ±---		ANGULAR ±--- °		SEE CHART		SD-54393-023		
30 OVER ±---		DRAFT WHERE APPLICABLE MUST REMAIN WITHIN DIMENSIONS		SIZE A3		THIS DRAWING CONTAINS INFORMATION THAT IS PROPRIETARY TO MOLEX ELECTRONIC TECHNOLOGIES, LLC AND SHOULD NOT BE USED WITHOUT WRITTEN PERMISSION		

10 9 8 7 6 5 4 3 2 1

F

E

D

C

B

A

F

E

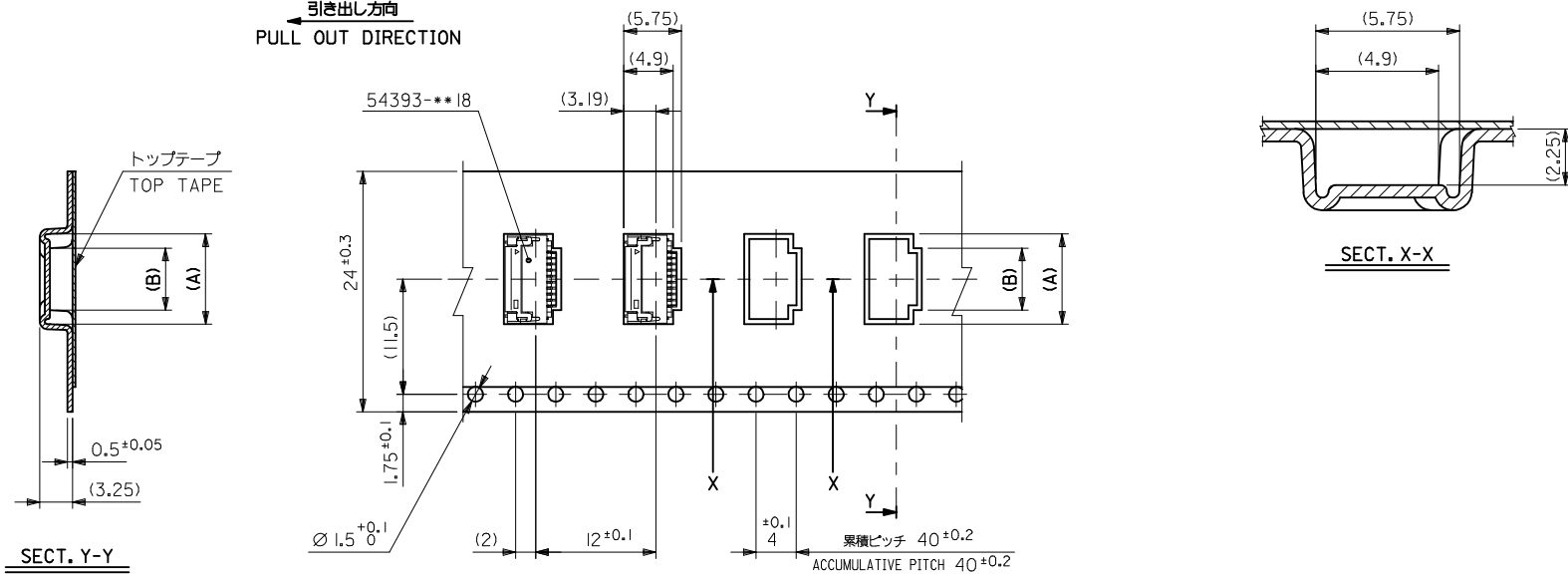
D

C

B

A

引き出し方向
PULL OUT DIRECTION



24mm幅キャリアテープ
24mm WIDTH CARRIER TAPE

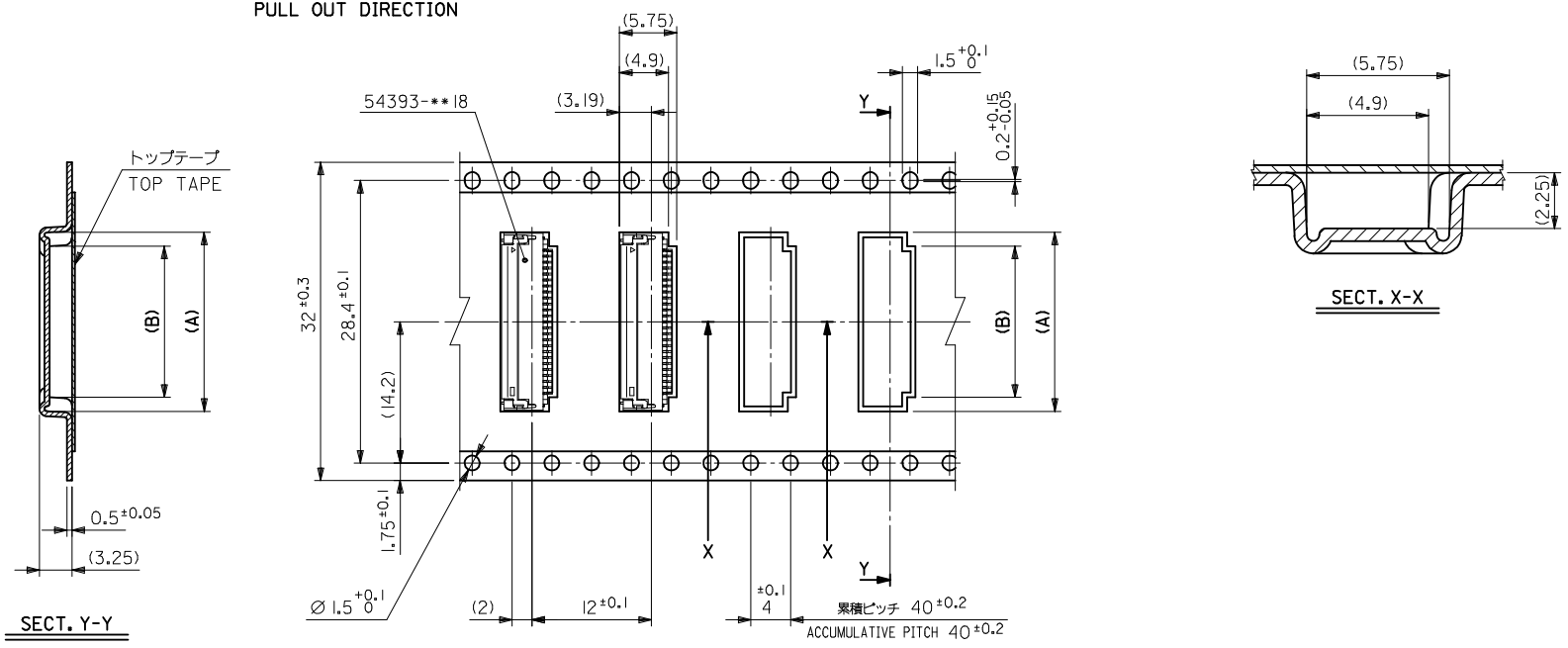
24	29.4	25.4	11.6	14.4	54393-3981	39
キャリアテープ幅 CARRIER TAPE WIDTH	D	C	B	A	MATERIAL NO.	標致 CKT.
					54393-***81	MODEL NO.

REVISED EC NO: J2017-0534 DRAWNGES 2017/04/27 CHKD: APPR: MSASAO 2017/05/26	GENERAL TOLERANCES (UNLESS SPECIFIED)		DIMENSION STYLE MM ONLY		SCALE ---	DESIGN UNITS METRIC	THIRD ANGLE PROJECTION
	0.25 UNDER	±	DRAWN BY H. SHIMABUKUR	DATE '04/01/29	TITLE 0.3 FPC CONN (EASY ON) HSG ASSY EMBSTP PKG -LEAD FREE-		
	0.25 OVER 0.5 UNDER	±	CHECKED BY K. TOJO	DATE '04/01/29	molex DOCUMENT NO. SD-54393-023 SHEET NO. 2 OF 3		
	0.5 OVER 1.0 UNDER	±	APPROVED BY M. SASAO	DATE '04/01/29			
0 OVER 10 UNDER	±---	MATERIAL NO.		SEE CHART			
10 OVER 30 UNDER	±---	DRAFT WHERE APPLICABLE MUST REMAIN WITHIN DIMENSIONS		THIS DRAWING CONTAINS INFORMATION THAT IS PROPRIETARY TO MOLEX ELECTRONIC TECHNOLOGIES, LLC AND SHOULD NOT BE USED WITHOUT WRITTEN PERMISSION			
30 OVER	±---	SIZE A3					
ANGULAR ±--- °							

9 8 7 6 5 4 3 2 1

10 9 8 7 6 5 4 3 2 1

引き出し方向
PULL OUT DIRECTION

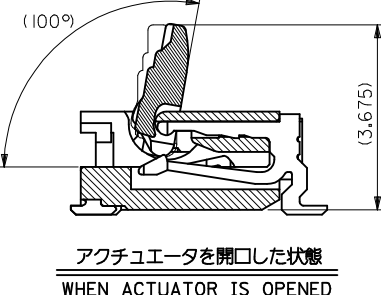
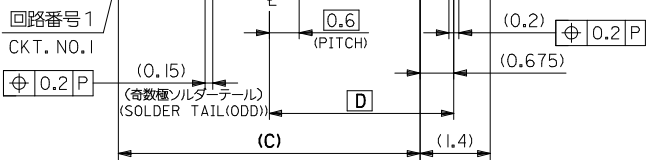
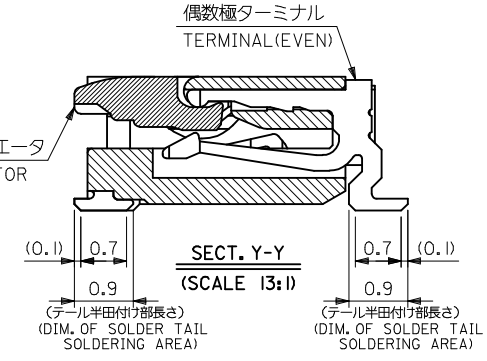
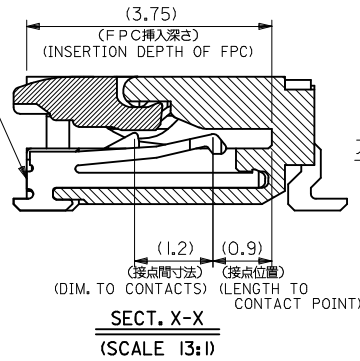
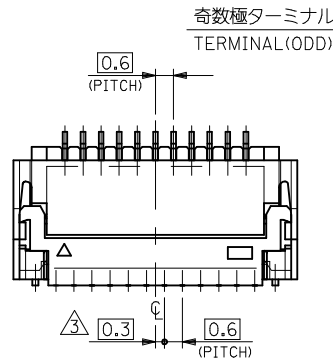
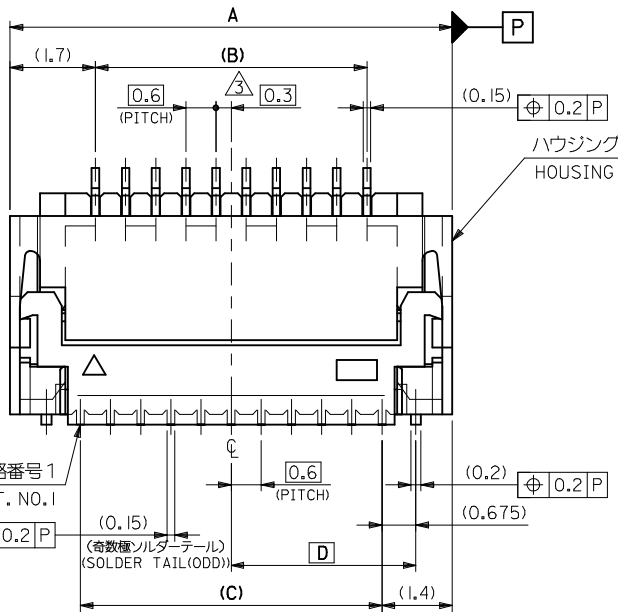


32mm幅キャリアテープ
32mm WIDTH CARRIER TAPE

32	37.4	33.4	15.2	18.0	54393-5181	51
キャリアテープ幅 CARRIER TAPE WIDTH	D	C	B	A	MATERIAL NO.	極致 CKT.
					54393-***81	MODEL NO.

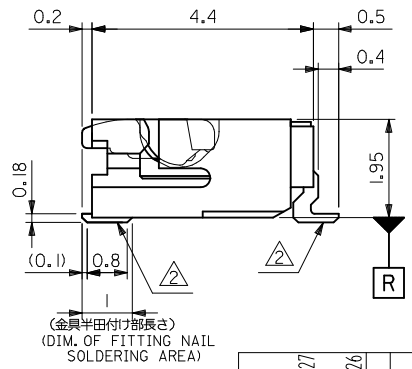
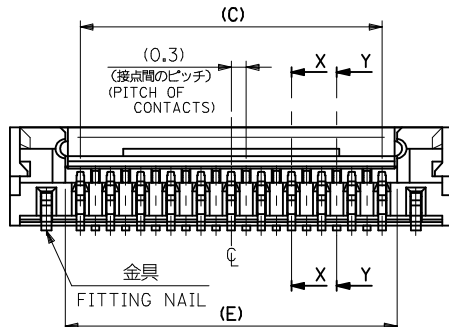
REVISED EC NO: J2017-0534 DRWNGES 2017/04/27 CHKD: CHIKD APPR: MSASAO 2017/05/26	GENERAL TOLERANCES (UNLESS SPECIFIED)		DIMENSION STYLE MM ONLY		SCALE ---	DESIGN UNITS METRIC	THIRD ANGLE PROJECTION
	0.25 UNDER	±	DRAWN BY	DATE	TITLE		
	0.25 OVER 0.5 UNDER	±	H. SHIMABUKUR	'04/01/29	0.3 FPC CONN (EASY ON) HSG ASSY EMBSTP PKG -LEAD FREE-		
	0.5 OVER 1.0 UNDER	±	K. TOJO	'04/01/29			
0 OVER 10 UNDER	±---	APPROVED BY	DATE	DOCUMENT NO.			
10 OVER 30 UNDER	±---	M. SASAO	'04/01/29	SD-54393-023	3 OF 3		
30 OVER	±---	MATERIAL NO.		SEE CHART			
ANGULAR	±---°	SIZE A3		THIS DRAWING CONTAINS INFORMATION THAT IS PROPRIETARY TO MOLEX ELECTRONIC TECHNOLOGIES, LLC AND SHOULD NOT BE USED WITHOUT WRITTEN PERMISSION			
DRAFT WHERE APPLICABLE MUST REMAIN WITHIN DIMENSIONS							

9 8 7 6 5 4 3 2 1



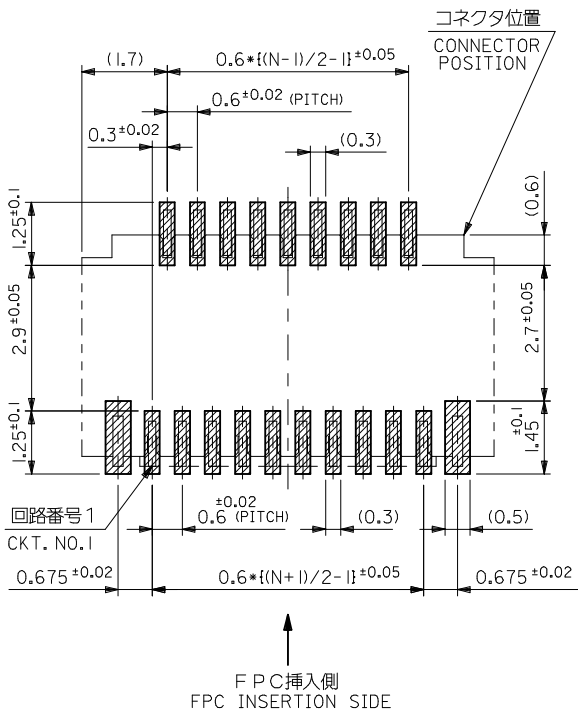
注記 NOTES

- 使用材料 MATERIAL
 - ハウジング : LCP , UL94V-0
 - アクチュエータ : PPS , UL94V-0
 - ターミナル : リン青銅 (t=0.15), ニッケル下地金メッキ
 - TERMINAL : PHOS-BRO., GOLD OVER NICKEL PLATING.
 - 金具 : リン青銅 (t=0.2), ニッケル下地金メッキ
 - FITTING NAIL : PHOS-BRO., TIN OVER NICKEL PLATING.
- ソルダーテール半田付け面のズレ量、及び金具半田付け面のズレ量は、基準面 **R** に対し、上方向0MAX.、下方向0.18MAX.とする。
又、相互のパラッキ量は0.1MAX.とする。
MISALIGNMENT OF SOLDER TAILS AND FITTING NAILS FROM **R**
UPPER DIRECTION : 0 MAX., LOWER DIRECTION : 0.18 MAX.
OFFSET BETWEEN SOLDER TAILS AND FITTING NAILS : 0.1 MAX.
- (N-1)/2が偶数の場合、偶数極側に適用。
(N-1)/2が奇数の場合、奇数極側に適用。
IF (N-1)/2 = EVEN, APPLY FOR EVEN CIRCUIT SIDE,
IF (N-1)/2 = ODD, APPLY FOR ODD CIRCUIT SIDE,



15.6	8.175	15	14.4	17.8	54393-5181	54393-5118	51
12	6.375	11.4	10.8	14.2	54393-3981	54393-3918	39
6.6	3.675	6	5.4	8.8	54393-2181	54393-2118	39
E	D	C	B	A	EMBOSSED TAPE ORDER No. オート番号		MATERIAL NO. CKT.

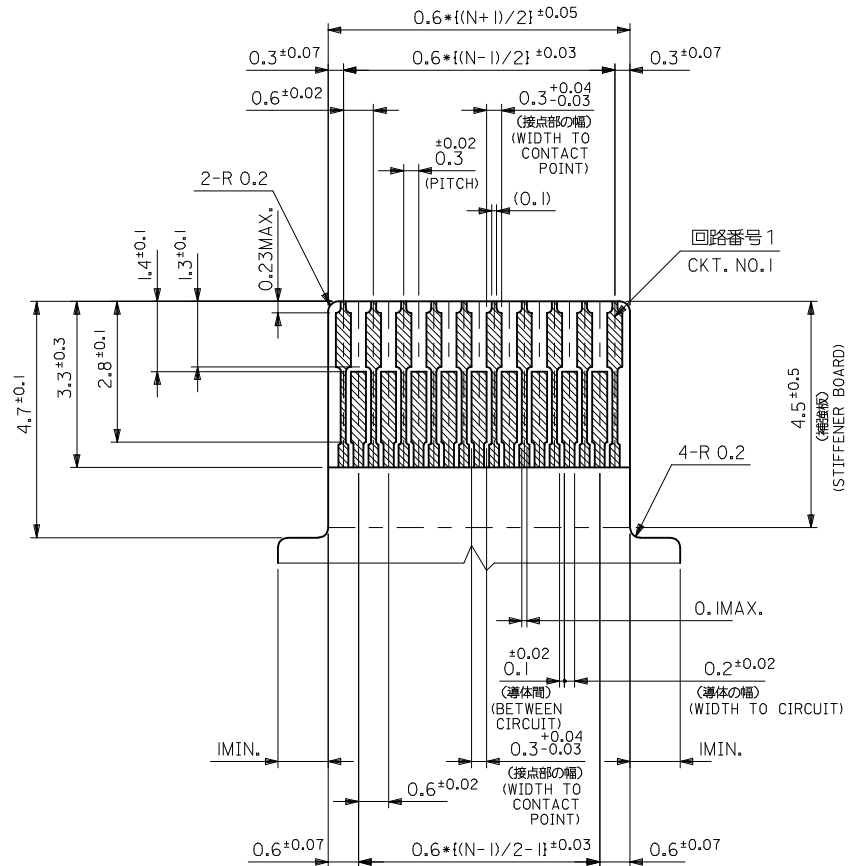
REVISED EC NO: J2017-0534 DRAWINGS CHKD: APPR: MSASAO 2017/04/27 2017/05/26	GENERAL TOLERANCES (UNLESS SPECIFIED)		DIMENSION STYLE MM ONLY		SCALE 10:1	DESIGN UNITS METRIC	THIRD ANGLE PROJECTION
	0.25 UNDER	±	DRAWN BY	DATE	TITLE		
	0.25 OVER	0.5 UNDER ±	H. SHIMABUKUR	'04/01/29	0.3 FPC CONN (EASY ON) HSG ASSY -LEAD FREE-		
	0.5 OVER	1.0 UNDER ±	CHECKED BY	DATE	molex DOCUMENT NO. SD-54393-024 SHEET NO. 1 OF 2		
	0 OVER	10 UNDER ±	K. TOJO	'04/01/29			
10 OVER	30 UNDER ±	APPROVED BY	DATE	THIS DRAWING CONTAINS INFORMATION THAT IS PROPRIETARY TO MOLEX ELECTRONIC TECHNOLOGIES, LLC AND SHOULD NOT BE USED WITHOUT WRITTEN PERMISSION			
30 OVER	±	M. SASAO	'04/01/29				
ANGULAR	±	MATERIAL NO.					
DRAFT WHERE APPLICABLE MUST REMAIN WITHIN DIMENSIONS		SIZE A3					



参考基板レイアウト
RECOMMENDED P.C. BOARD
PATTERN DIM. (REF.)
(マウント面)
(MOUNTING SIDE)

FPCについて:
打抜き方向は導体側から補強板側を推奨致します。
補強フィルム材質はポリイミドを推奨致します。
接着剤は熱硬化接着剤を推奨致します。

ABOUT FPC:
RECOMMENDED PUNCHER DIRECTION : FROM CONDUCTOR SIDE TO STIFFENER BOARD SIDE.
RECOMMENDED MATERIAL:
STIFFENER FILM : POLYIMIDE
BONDING AGENT : THERMOSETTING BONDING AGENT



適合FPC推奨寸法
APPLICABLE FPC
RECOMMENDED DIM.
(仕上がり厚さ: 0.2±0.03)
(THICKNESS : 0.2±0.03)

REVISED EC NO: J2017-0534 DRAWINGS CHKD: APPR:MSASAO	2017/04/27 2017/05/26	GENERAL TOLERANCES (UNLESS SPECIFIED)		DIMENSION STYLE MM ONLY		SCALE ---	DESIGN UNITS METRIC	THIRD ANGLE PROJECTION		
		0.25 UNDER	±	DRAWN BY H. SHIMABUKUR	DATE '04/01/29	TITLE 0.3 FPC CONN (EASY ON) HSG ASSY -LEAD FREE-				
		0.25 OVER	0.5 UNDER	±	CHECKED BY K. TOJO	DATE '04/01/29				
		0.5 OVER	1.0 UNDER	±	APPROVED BY M. SASAO	DATE '04/01/29				
10 OVER	30 UNDER	±---	MATERIAL NO.		DOCUMENT NO.		SHEET NO.			
30 OVER	±---	ANGULAR ±--- °		SEE CHART		SD-54393-024		2 OF 2		
DRAFT WHERE APPLICABLE MUST REMAIN WITHIN DIMENSIONS				SIZE A3	THIS DRAWING CONTAINS INFORMATION THAT IS PROPRIETARY TO MOLEX ELECTRONIC TECHNOLOGIES, LLC AND SHOULD NOT BE USED WITHOUT WRITTEN PERMISSION					