



ENGINEERING SPECIFICATION

INSTALLATION INSTRUCTION SHEETS

1.0 SCOPE

This specification consists of installation instructions for the Self Contained Power Connector for 2-wire solid cable with ground applications.

2.0 PURPOSE

To define material number system for the above instructions.

3.0 REFERENCE MATERIAL NUMBERS

See pages 2-3 for the actual instruction sheets. These pages can be used as originals.

4.0 DEFINITIONS

Not applicable.

5.0 PROCEDURES

Place one (1) instruction sheet in the smallest unit container.

6.0 IMPLEMENTATION

JANUARY 31, 2009

REVISION: H	ECR/ECN INFORMATION: EC No: WNA2010-0105 DATE: 2009 / 08 / 13	TITLE: SELF CONTAINED POWER CONNECTOR INSTALLATION INSTRUCTIONS FOR 2 WIRE CABLE WITH GROUND APPLICATIONS	SHEET No. 1 of 3
DOCUMENT NUMBER: SD-19045-003	CREATED / REVISED BY: ETHRODAHL	CHECKED BY: JMACNEIL	APPROVED BY: JMACNEIL

COC-1 Self Contained Power Connector Installation Instructions For 2 Wire Cable With Ground Applications

The 2-circuit-with-ground connectors will splice non-metallic-sheathed cable in the following wire ranges and types:

Self Contained Connector - 2 Circuit with ground for Solid Wire

Wire Range AWG	Order No.	Optional Hand Tool	Optional Bench Mount Tool	Optional Bench Arbor Press	Housing Color
12-14	19045-1000 (COC-1)	19285-0074	N/A	64006-0200	White

FIG. 2

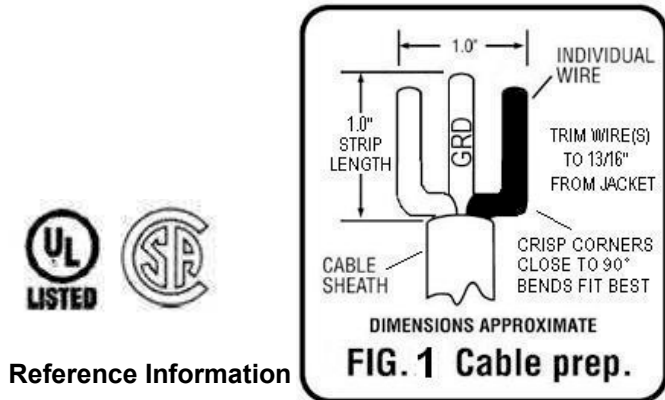


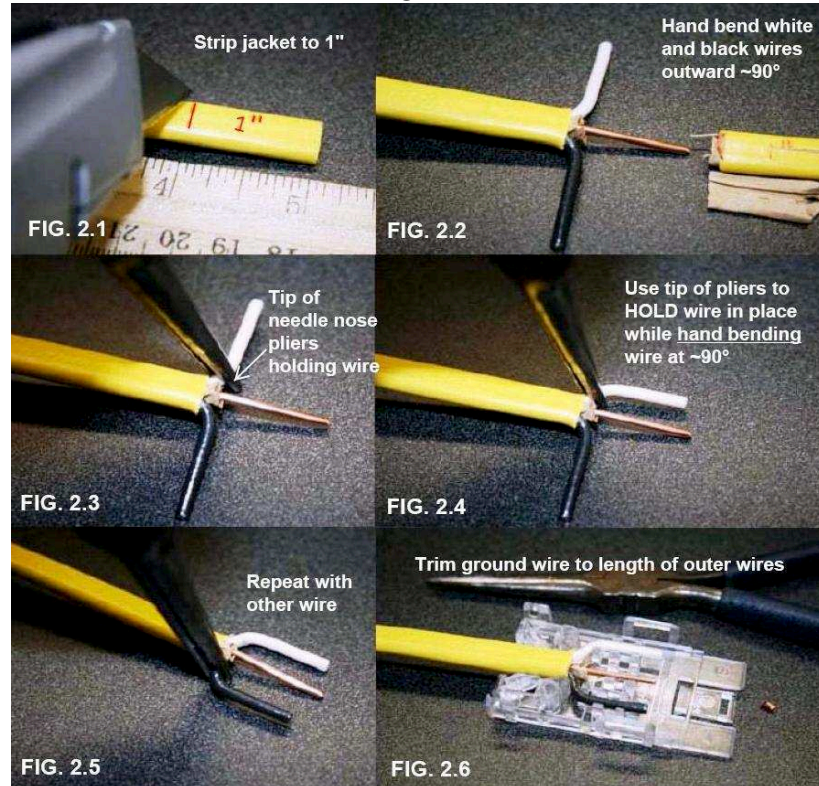
FIG. 1 Cable prep.

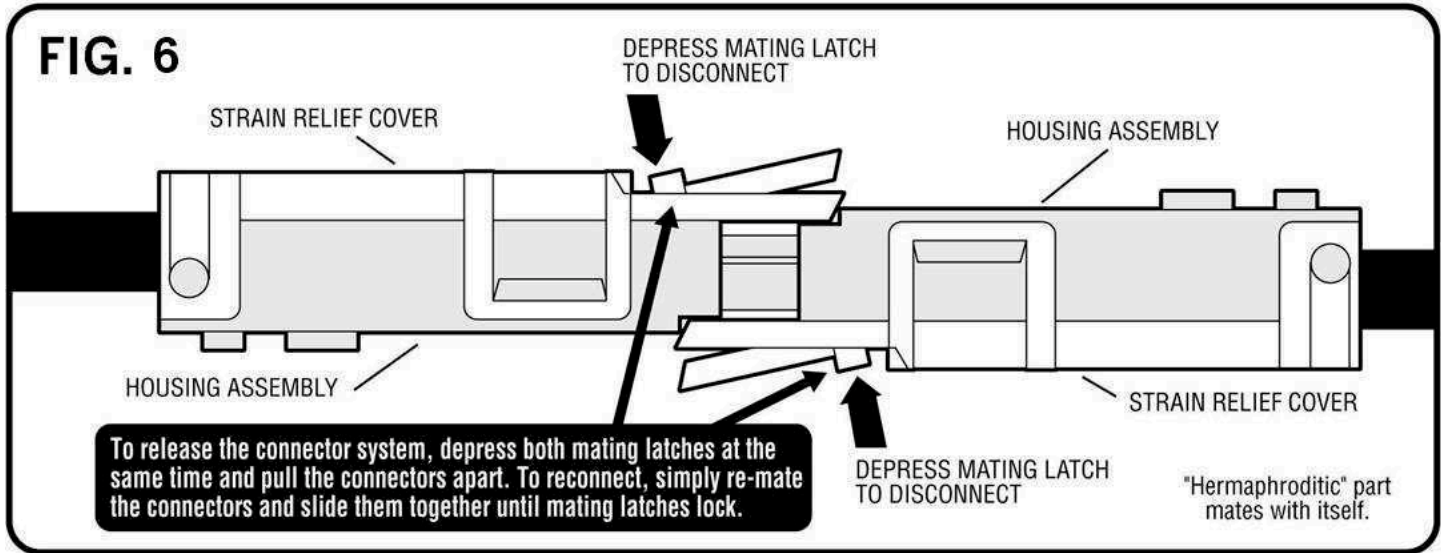
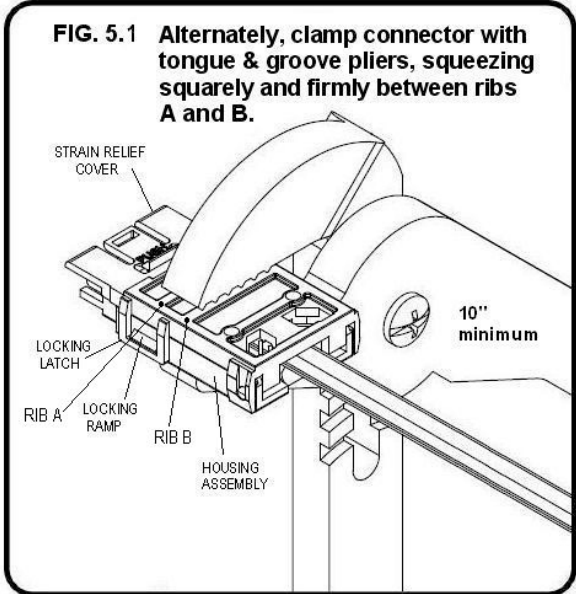
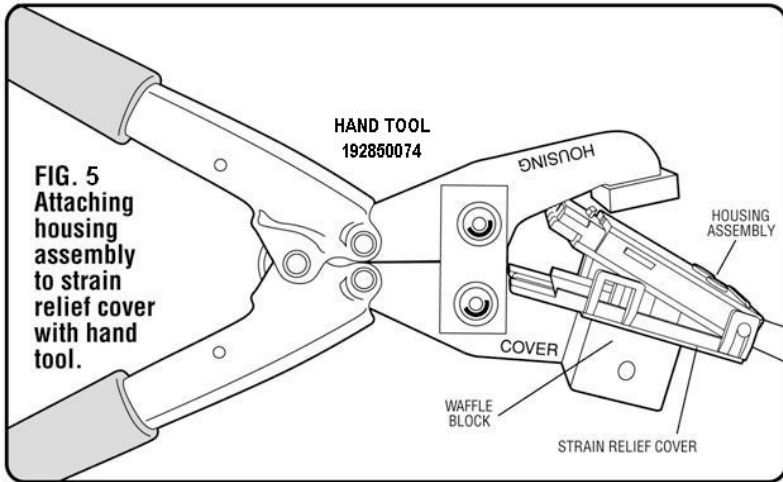
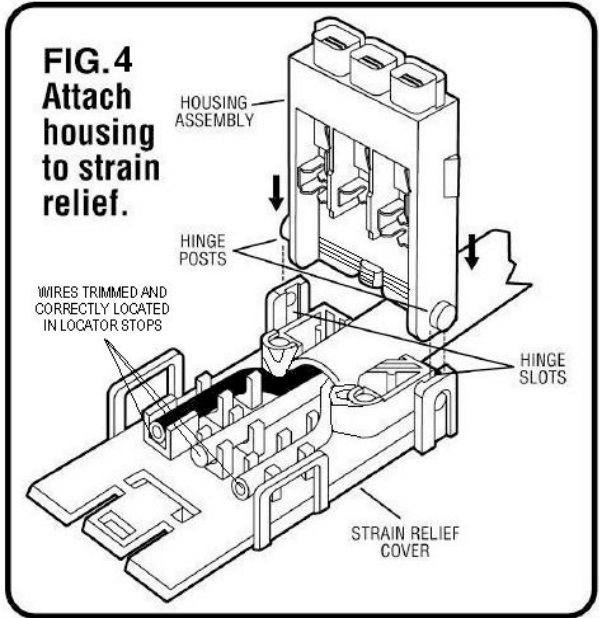
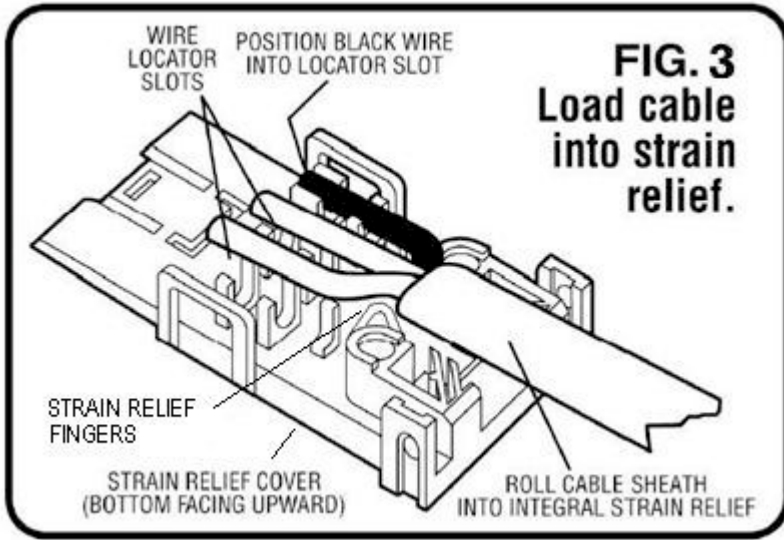
Reference Information

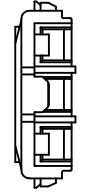
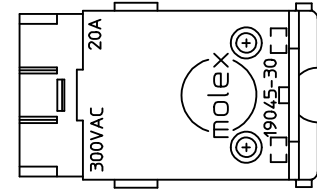
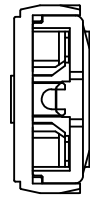
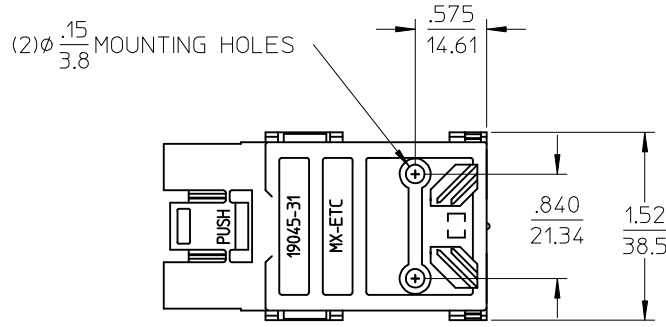
UL File Number: E182087,
CSA File Number: LR18689-C53
NEC Article: 550, 551, and 545
HUD Section: 3280.801
Current: 20A, Voltage: 300V

Installation Procedure:

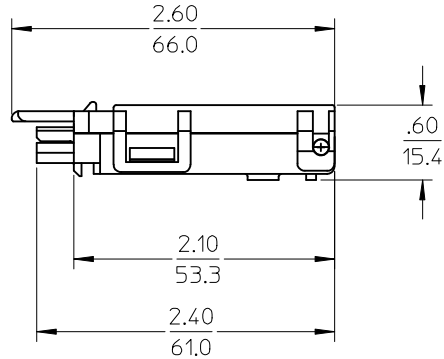
- Carefully strip and prepare the wires to the configuration as shown in **Figure 1** using helpful hints shown in photographs of **Figure 2**.
- Hold the clear strain relief cover with bottom facing upward as shown in **Figure 3**.
- Lay wire into locator slots, making sure the black wire is placed into the polarization slot as shown in **Figure 3**.
- Press the cable sheath into the integral strain relief slot as shown in **Figure 3**. Trimming of ground wire and possibly others will be necessary. Wires must not extend beyond the locators as shown in **Figure 4**!
- While holding the strain relief cover, position the housing's hinge posts into the hinge slots and press down until both lock into place as shown in **Figure 4**.
- Close the strain relief cover and housing by hand. Place the connector assembly into Molex tool (preferred) as shown in **Figure 5**. Squeeze the tool until the connector bottoms out and the locking latches engage on both sides. OR alternately, squeeze the top and bottom closed with tongue and groove pliers as shown in **Figure 5.1**. Pliers must be a minimum of 10" long. Squeeze firmly on both sides, squarely across the connector between ribs A and B to ensure wires seat completely into slots.
- Inspect the connector to ensure the wires have been properly engaged into the housing assembly contacts. A properly terminated wire is fully seated into its proper slots with no significant bow of the cover. If the wires extend past the insulation stops, the wires must be re-terminated with a NEW CONNECTOR. Once the cover has been closed the connector cannot be re-used. Failure to comply with this procedure may result in the failure of the connector.
- Mating and un-mating the completed connector is illustrated in **Figure 6**.



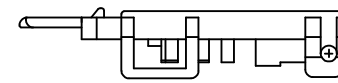
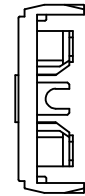
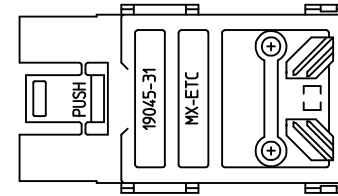




HOUSING ASSEMBLY
MATERIAL NUMBER 19045-2010, (C)
CONTAINING HOUSING NUMBER 19045-3010



ASSEMBLED VIEWS

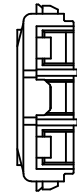
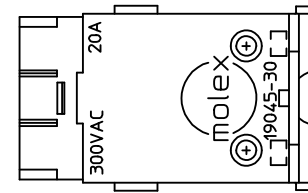
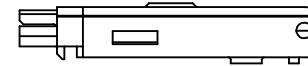
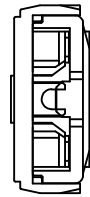
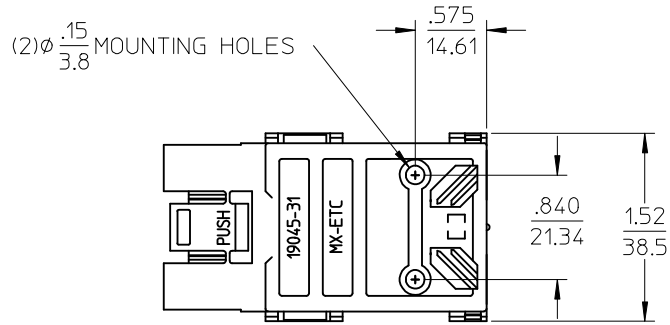


COVER
MATERIAL NUMBER 19045-3110

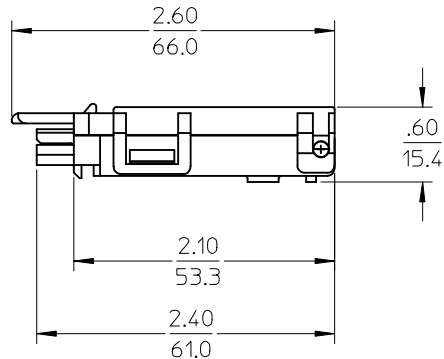
- NOTES:
 1. PARTS ARE PACKAGED 50 UNITS PER CONTAINER.
 2. REF: UL FILE NO. E182087, CSA FILE NO. LR18689.
 3. PARTS ARE ROHS COMPLIANT.

(C)

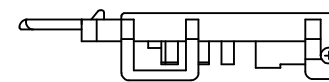
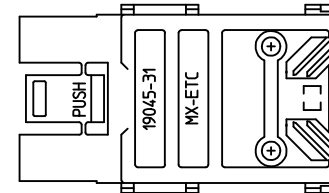
CHG SUBASSY P/N EC NO: WNA2009-0564 DRW:WETHRODAHL 2009/05/22 CHKD:JMACNEIL 2009/05/22 APPR:JMACNEIL 2009/05/27	QUALITY SYMBOLS ▽=0 ▽=0	GENERAL TOLERANCES (UNLESS SPECIFIED)		DIMENSION STYLE IN/MM		SCALE 1:1	DESIGN UNITS INCH	THIRD ANGLE PROJECTION	
			mm	INCH	DRAWN BY DAY	DATE 1997/05/27	TITLE CUSTOMER DRAWING COC-1 SC CONNECTOR ASSEMBLY 12-14AWG SOLID 2/C+GRD molex MOLEX INCORPORATED		
		4 PLACES	± .---	± .---	CHECKED BY RDEROSS	DATE 1997/05/27			
		3 PLACES	± .---	± .010	APPROVED BY RDEROSS	DATE 1997/05/27	MATERIAL NO. 190451000	DOCUMENT NO. SD-19045-100	SHEET NO. 1 OF 1
2 PLACES	± 0.25	± .02	DRAFT WHERE APPLICABLE MUST REMAIN WITHIN DIMENSIONS		THIS DRAWING CONTAINS INFORMATION THAT IS PROPRIETARY TO MOLEX INCORPORATED AND SHOULD NOT BE USED WITHOUT WRITTEN PERMISSION				
1 PLACE	± 0.5	± .---	ANGULAR ± .---						



HOUSING ASSEMBLY
MATERIAL NUMBER 19045-2010, (C)
CONTAINING HOUSING NUMBER 19045-3010



ASSEMBLED VIEWS



COVER
MATERIAL NUMBER 19045-3110

- NOTES:
1. PARTS ARE PACKAGED 50 UNITS PER CONTAINER.
2. REF: UL FILE NO. E182087, CSA FILE NO. LR18689.
3. PARTS ARE ROHS COMPLIANT.



CHG SUBASSY P/N EC NO: WNA2009-0564 DRW:ETHRODAHL 2009/05/22 CHKD:JMACNEIL 2009/05/22 APPR:JMACNEIL 2009/05/27	QUALITY SYMBOLS	GENERAL TOLERANCES (UNLESS SPECIFIED)		DIMENSION STYLE IN/MM		SCALE 1:1	DESIGN UNITS INCH	THIRD ANGLE PROJECTION	
	▼=0 ▽=0	4 PLACES	± .005	± .005	DRAWN BY DAY	DATE 1997/05/27	TITLE CUSTOMER DRAWING COC-1 SC CONNECTOR ASSEMBLY 12-14AWG SOLID 2/C+GRD MOLEX MOLEX INCORPORATED	DOCUMENT NO. SD-19045-100	SHEET NO. 1 OF 1
		3 PLACES	± .010	± .010	CHECKED BY RDEROSS	DATE 1997/05/27			
		2 PLACES	± 0.25	± .02	APPROVED BY RDEROSS	DATE 1997/05/27			
1 PLACE	± 0.5	± .005	MATERIAL NO. 190451000						
		ANGULAR ± .005°		SIZE B		THIS DRAWING CONTAINS INFORMATION THAT IS PROPRIETARY TO MOLEX INCORPORATED AND SHOULD NOT BE USED WITHOUT WRITTEN PERMISSION			
DRAFT WHERE APPLICABLE MUST REMAIN WITHIN DIMENSIONS									