

THIS DRAWING IS UNPUBLISHED. RELEASED FOR PUBLICATION
 © COPYRIGHT copyright.d8te- ALL RIGHTS RESERVED.

REVISIONS				
P	LTR	DESCRIPTION	DATE	APVD
B		ECR-16-010100, UPDATE NAME	14JUL2016	L.Z X.X
C		ECR-19-009136	11JUL2019	C.D C.W
C1		ECR-20-012729 UPDATE PIN LAYOUT	02NOV2020	S.C C.W

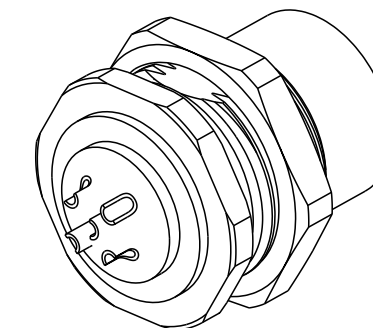
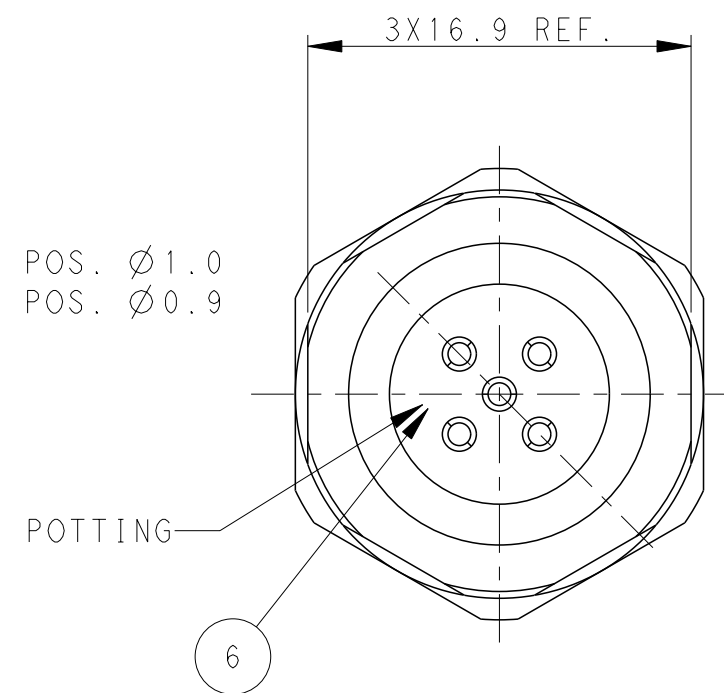
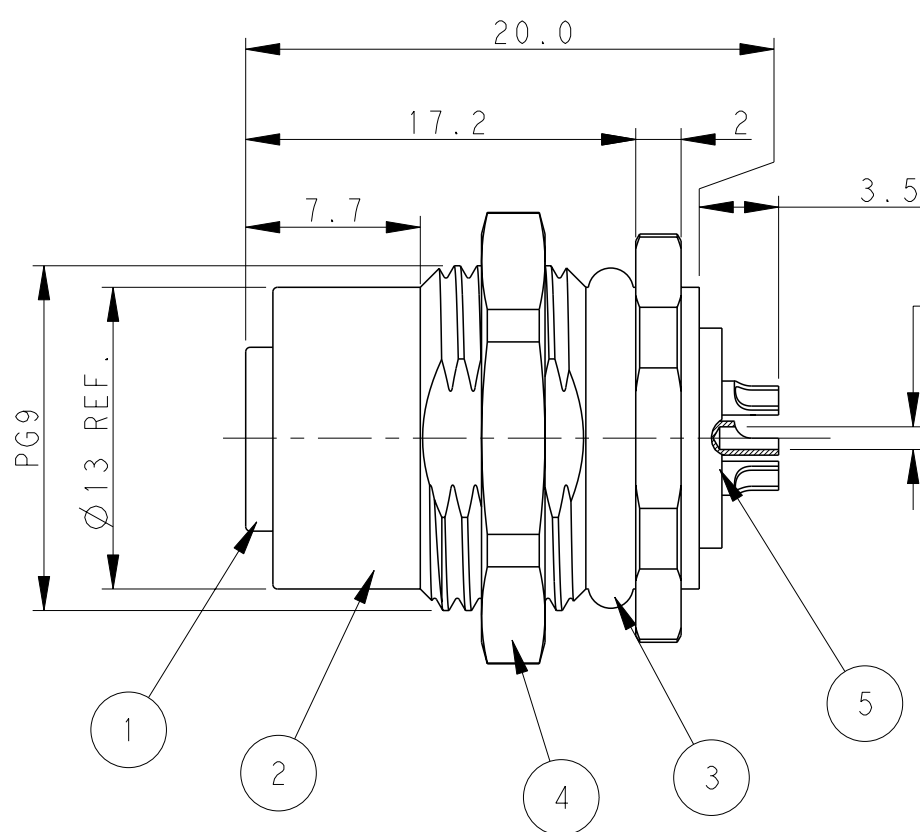
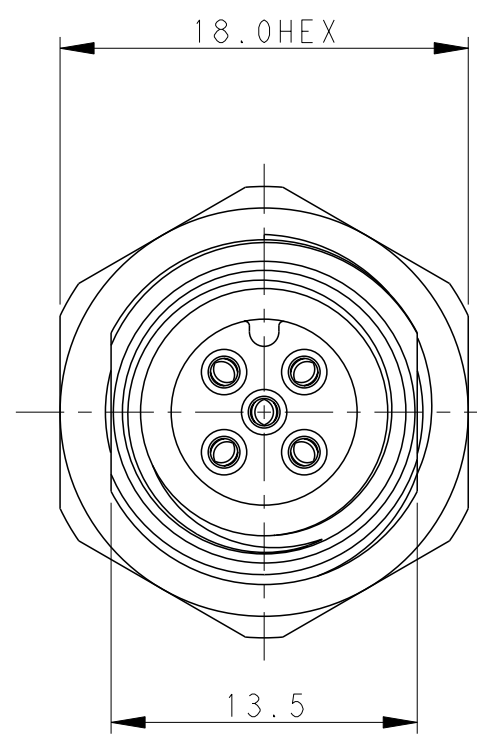


TABLE 1

TECHNICAL DATA	T4131012021-000	T4131012031-000	T4131012041-000	T4131012051-000
RATED VOLTAGE	250V	250V	250V	60V
RATED CURRENT	4A	4A	4A	4A
POLLUTION DEGREE	3	3	3	3
OVERVOLTAGE CATEGORY	II	II	II	II
MATERIAL GROUP	II	II	II	II
CONTACT RESISTANCE	<=10mΩ	<=10mΩ	<=10mΩ	<=10mΩ
INSULATION RESISTANCE	>100MΩ	>100MΩ	>100MΩ	>100MΩ
DEGREE OF PROTECTION	IP67	IP67	IP67	IP67
OPERATION TEMPEATURE	-40~85°C	-40~85°C	-40~85°C	-40~85°C

NOTE:
 1. TECHNICAL DATA: SEE TABLE 1
 2. RECOMMENDED MOUNT PANEL SEE DETAIL
 3. PACKAGING: 1 PIECE IN A BAG
 4. ALL DIMENSIONS ARE FOR NOMINAL REFERENCE ONLY UNLESS OTHERWISE STATED

T41310120X1-000

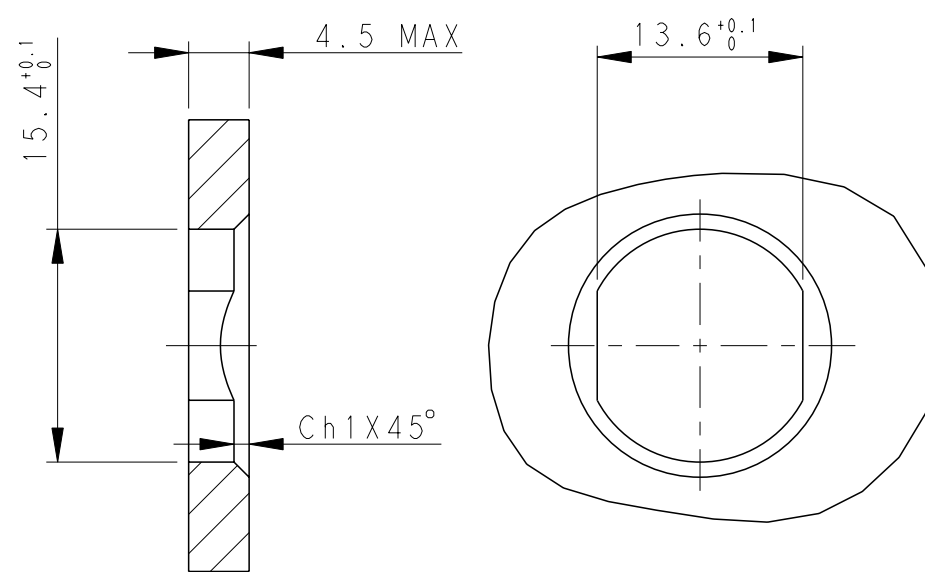
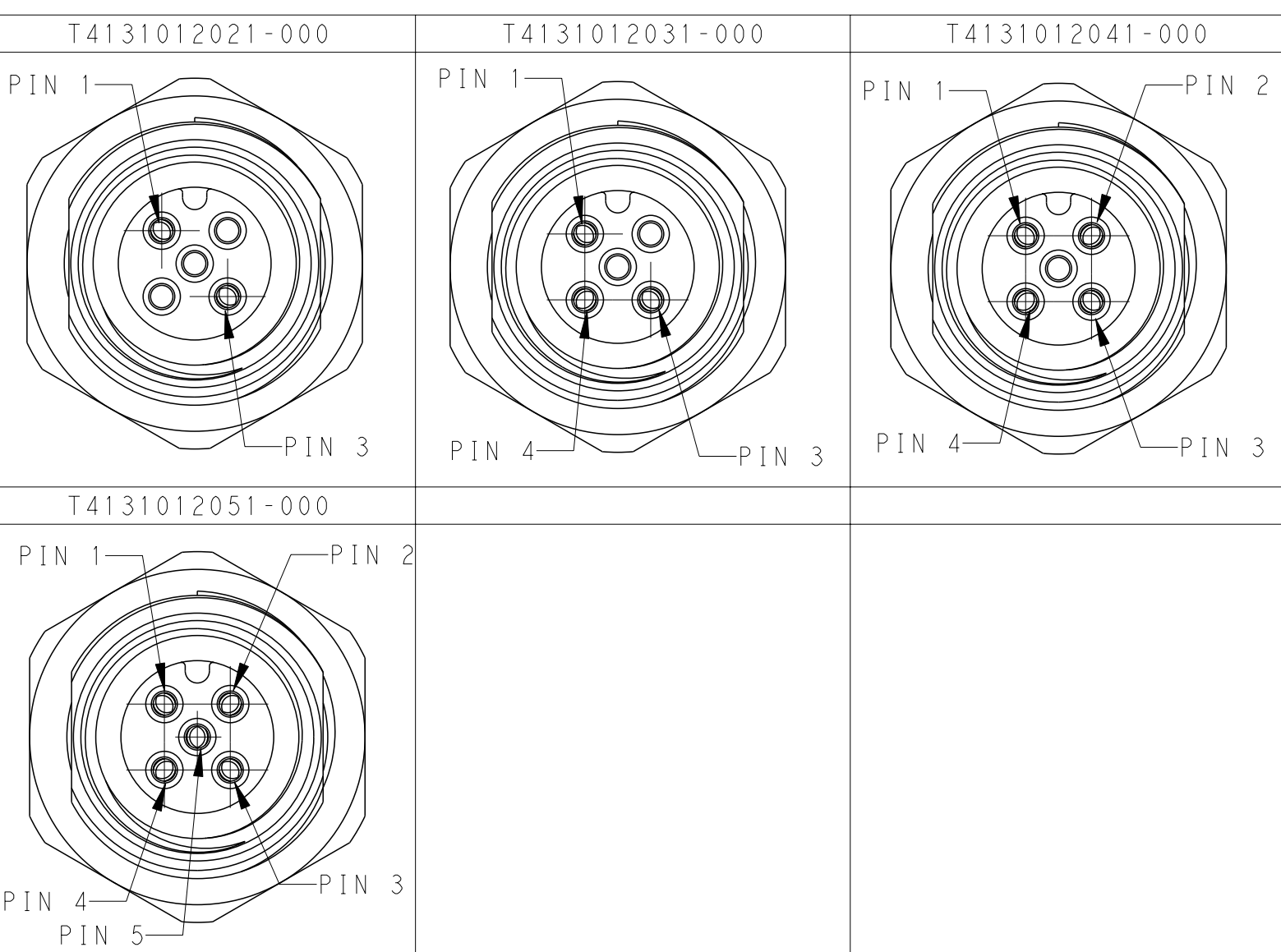
CONTACT FINISH:
 1: GOLD 3u''
 NUMBER OF PINS:
 02: 2 PINS
 03: 3 PINS
 04: 4 PINS
 05: 5 PINS

注释:
 1. 技术参数, 见表1
 2. 推荐开孔尺寸详见如图所示
 3. 包装: 1PCS/袋
 4. 所有尺寸仅供参考, 除非另有说明

T41310120X1-000

端子电镀:
 1: 3u''金
 针数:
 02: 2 针
 03: 3 针
 04: 4 针
 05: 5 针

PIN ARRANGEMENT A-CODE



RECOMMENDED PANEL CUTOUT

T4131012021-000	RPC-M12-FF-2CON-PG9-LAU
T4131012031-000	RPC-M12-FF-3CON-PG9-LAU
T4131012041-000	RPC-M12-FF-4CON-PG9-LAU
T4131012051-000	RPC-M12-FF-5CON-PG9-LAU
TE PN	TYPE

PLATING	MATERIAL	DESCRIPTION	ITEM	T4131012021-000	T4131012031-000	T4131012041-000	T4131012051-000
-	EPOXY RESIN	POTTING ADHESIVE	6	1	1	1	1
GOLD PLATED	COPPER ALLOY	CONTACT	5	2	3	4	5
NICKEL PLATED	COPPER ALLOY	METAL NUT	4	1	1	1	1
BLACK	RUBBER	O-RING	3	1	1	1	1
NICKEL PLATED	COPPER ALLOY	M12, MALE, METAL BODY	2	1	1	1	1
-	PA66	M12, MALE HSG	1	1	1	1	1

THIS DRAWING IS A CONTROLLED DOCUMENT. DWN BO GAO 04FEB2016
 CHK KOBBY ZHAO
 APVD XIANG XU
 PRODUCT SPEC 108-106140
 APPLICATION SPEC 114-137144
 MATERIAL - FINISH - WEIGHT -
 CUSTOMER DRAWING

TE Connectivity
 M12 PANEL MOUNT CONNECTOR
 A CODE, FEMALE, REAR MOUNTING
 WIRE SOLDERING

SIZE A2 CAGE CODE - DRAWING NO. G-T41310120X1000 RESTRICTED TO
 SCALE 3:1 SHEET 1 OF 1 REV C1

Printed on 8 Feb 2021 14:12 (China Standard Time) from TE275185