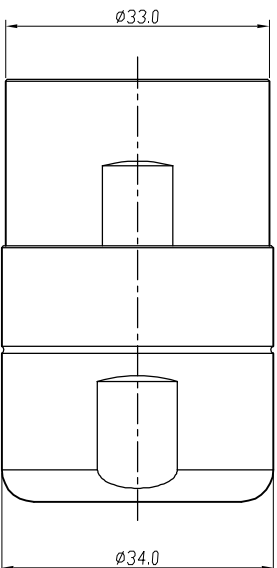
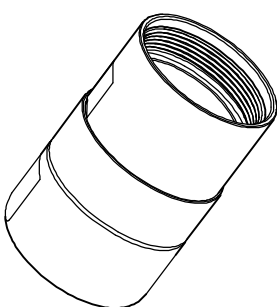
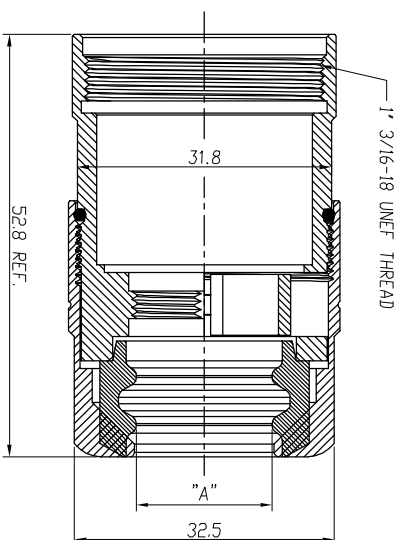
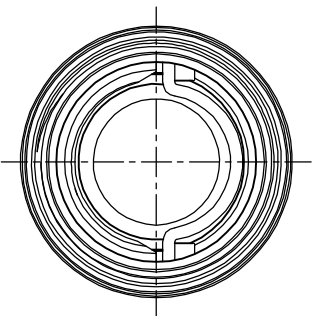


REVISIONS					
REV	ECO	DESCRIPTION	DATE	BY	APPR
B1	-	RELEASE NEW DWG FORMAT	15-Dec-2014	Drack	Tommy
B2	-	Modify rubber material	13-May-2016	Ben	Tommy



- NOTES: UNLESS OTHERWISE SPECIFIED
- MATERIAL:
NUT: ZINC DIE CAST OR AL ALLOY, NICKEL PLATED.
O-RING: NBR
SEAL: EPDM
HOUSING BODY: ZINC DIE CAST OR AL ALLOY, NICKEL PLATED
 - SPECIFICATIONS:
2.1 DEGREE OF PROTECTION: IP67 (MATED CONDITION)
2.2 ROHS COMPLIANT
 - ALL DIMENSIONS ARE FOR REFERENCE USE ONLY.

	Dimension "A"	Cable OD Range
1	RTOL-20CPG-S1	Ø15.8mm 16.0-17.0 mm
2	RTOL-20CPG-S2	Ø20.0 mm 20.5-22.5 mm
3	RTOL-20CPG-S3	Ø13.0mm 13.5-15.0 mm
4	RTOL-20CPG-S5	Ø13.0 mm 13.5-14.0 mm
5	RTOL-20CPG-S6	Ø15.8 mm 16.0-21.0 mm
6	RTOL-20CPG-S8	Ø13.0 mm 11.0-15.0 mm

QUANTITY	SEE PART NUMBER CHART	PART NUMBER	DESCRIPTION	ITM
			MATERIALS LIST	
UNLESS OTHERWISE SPECIFIED				
1) All dimensions are in metric(mm).				
2) Tolerances are as follows:				
3) Heat treatment = A				
MATERIAL SPECIFICATIONS:				
PROCESS SPECIFICATIONS:				
NEXT ASST:				
THIS DRAWING IS REPRODUCED FOR THE CUSTOMER'S USE ONLY. IT IS THE PROPERTY OF SHINE SYSTEMS AND PERFORMANCE DATA IS NOT TO BE REPRODUCED OR REPRODUCED IN ANY MANNER. ALL DIMENSIONS ARE SUBJECT TO NORMAL MANUFACTURING VARIATIONS.				
ECCO-MATE CORD GRIP, SIZE 20				
Amphenol Shine Systems - www.amphenol-shine.com 44724 Morley Drive Clinton Township, MI 48038				
SCALE: NONE				
SHEET 1 OF 1				

TITLE: ECCO-MATE CORD GRIP, SIZE 20

DWG NO: RTOL-20CPG-Sx

REV: B2
SH: 1
QTY: 1