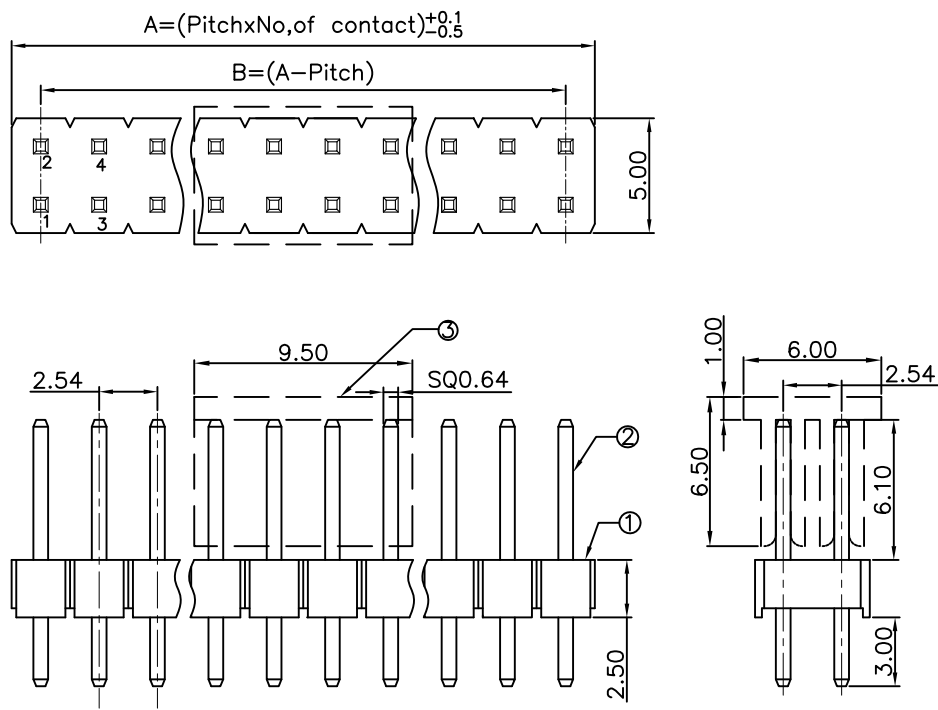
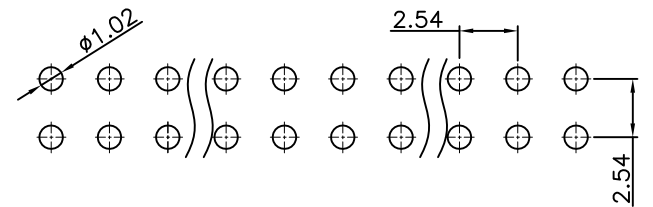


REV.	DESCRIPTION	DATE
A	New Drawing	2018/08/20

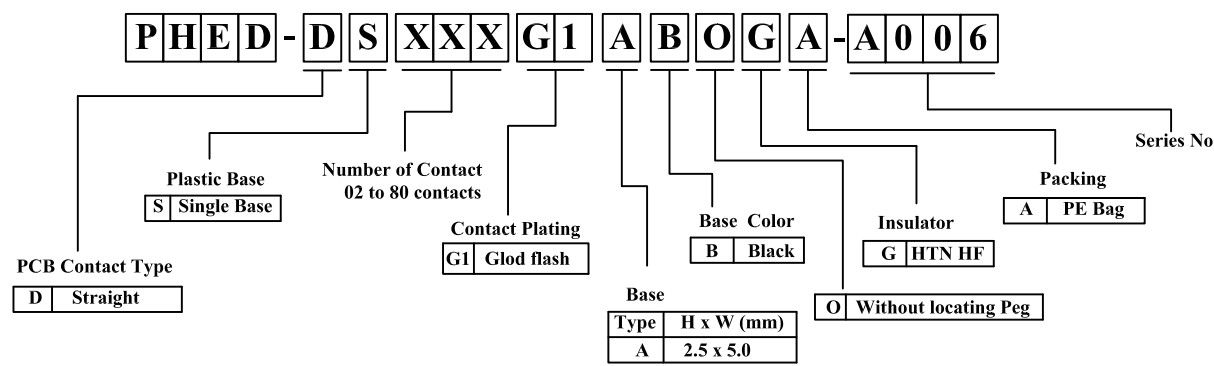


LTR	Part Name	Material	Description	QTY
1	Housing	HTN HF UL94V-0	260°C for 10 Seconds . Initial : 1000M Ohms Min. After Test : 500M Ohms Min.	1
2	Contact	Brass	Current Rating : 3.0A Initial : 20m Ohms Max. After Test : 40m Ohms Max.	XX
3	Cap	HTN HF UL94V-0	260°C for 10 Seconds .	1

Temperature Rating : -40°C ~ +125°C .
 Dielectric Withstanding Voltage : 1000V AC/Min



P.C.B LAYOUT



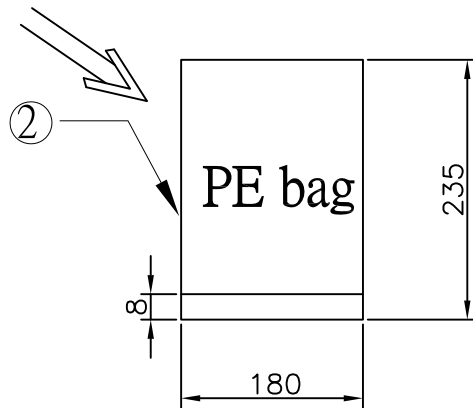
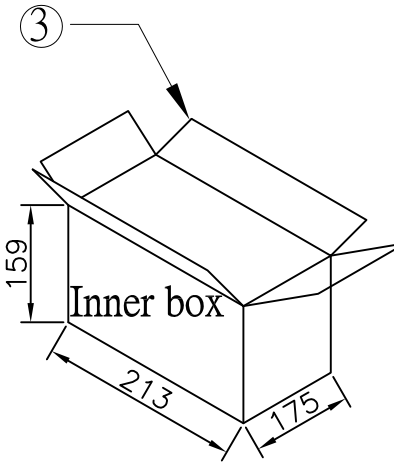
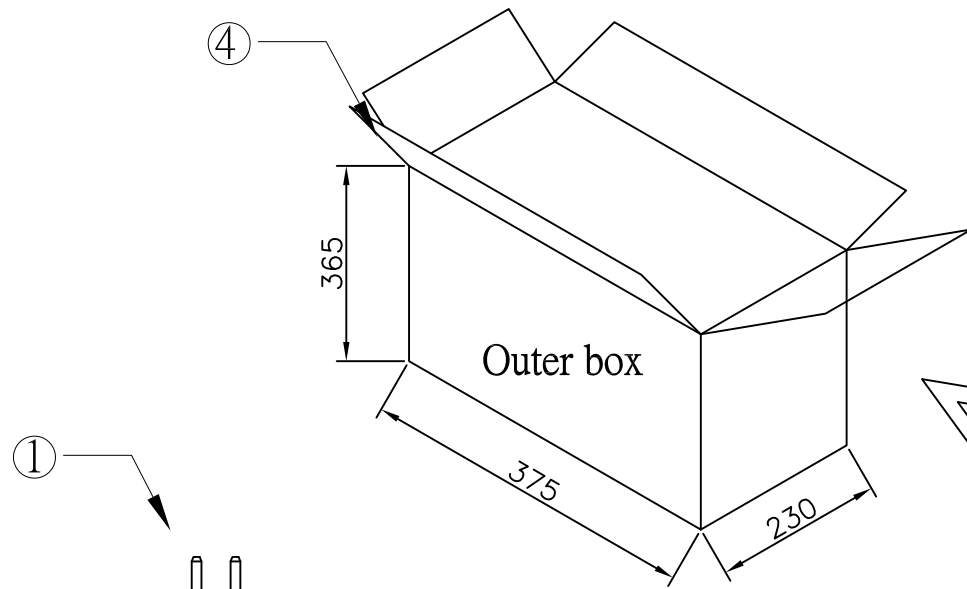
L=11.6 mm RoHS compliant

Superior Tech Co., Ltd.

General Tolerance	TITLE	Pitch 2.54x2.54mm Pin Header Straight Dual Rows ,HF	
X. ± 0.5	DRAWN Tom	DATE	NO.
.X ± 0.3		08-20-18'	002
.XX ± 0.2	CHECK	DATE	PART NO.
.XXX ± 0.1			PHED-DSXXXG1ABOGA-A006
Angle ± 5°	APPROVED	DATE	CUSTOMER NO.
			DK

REV.	UNIT	SCALE	
A	mm	1:1	

REV.	DESCRIPTION	DATE
A	New Drawing	2022/05/26



RoHS compliant

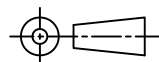
Note: The quantity is estimated, please refer to actual shipment.

④	Outer box	B-ZX-W-010-F001	1 PCS	20k PCS
③	Inner box	B-ZX-R-001-F001	4 PCS	5000 PCS
②	PE bag	B-PD-S-002-F001	20 PCS	1000 PCS
①	Product	PH2.54 2*XPIN	—	—
Serial number	Name	Specifications	Dosage of cladding material	Quantity installed

Superior Tech Co., Ltd.

General Tolerance		TITLE PHED-DSXXXG1ABOGA-A006_Packing		
X. ± 0.5	DRAWN	Tom	DATE	NO.
.X ± 0.3			2022/05/26	002
.XX ± 0.2	CHECK		DATE	PART NO.
.XXX ± 0.1	APPROVED		DATE	PHED-DSXXXG1ABOGA-A006
Angle ± 5°				CUSTOMER NO. DK

REV.	UNIT	SCALE
A	mm	1:10



(Q2-R03-01A) ST-R05-07