

NCP45491IMNGEVB

NCP45491 Evaluation Board User's Manual



ON Semiconductor®

www.onsemi.com

EVAL BOARD USER'S MANUAL

Introduction

This user's manual provides detailed information regarding the configuration and use of the NCP45491IMNGEVB Evaluation board. The evaluation board serves as a demonstration of NCP45491 general functionality for single chip mode featuring power monitoring of 4 channels. The evaluation board also provides a means of quick prototyping for specific applications.

Features

- NCP45491
- Connectors for 4 High Current Supplies and Loads
- Configuration Options for Shunt Current and Gain Settings
- Appropriate Test Loops for Easy Evaluations

QUICK START

Recommended Equipment

Before beginning, the following equipment is needed:

- 4 DC Power Supplies (2 capable of at least 7 V, 2 capable of at least 13 V to support current evaluation board setup)
- 4 DC Loads (up to at least 2 A)
- Function Generator
- Oscilloscope
- Digital Multi-meter
- SMA to BNC Cables Recommended for Connection to DIFF_OUTN, DIFF_OUTP, and MUX_SEL

Board Setup

The assembled evaluation board targets Bus Voltages and Shunt Currents shown in Tables 1 and 2. VBUS1 ties to both channel 1 and channel 3 bus voltage inputs. VBUS2 ties to both channel 2 and channel 4 bus voltage inputs. Refer to the schematic and layout diagrams found in [Appendix A](#) and [Appendix B](#) respectively as needed.

Table 1. BUS VOLTAGE SETUP

Channel	Target Bus Voltage	Bus Divider
1 (VBUS1)	12 V	1/60 V/V
2 (VBUS2)	6 V	1/30 V/V
3 (VBUS1)	12 V	1/60 V/V
4 (VBUS2)	6 V	1/30 V/V

Table 2. SHUNT CURRENT SETUP

Channel	Shunt Current	Shunt Gain
Load 1	0.5 A	400 mV/A
Load 2	5 A	40 mV/A
Load 3	0.5 A	400 mV/A
Load 4	5 A	40 mV/A

The specific resistor configuration populated on the board facilitate these gain settings. The nominal differential amplifier gain is 2 V/V. Therefore, the expected differential output for any channels voltage or current can be calculated as follows:

- For Bus Voltage:

$$\text{Diff Output} = \text{Bus Voltage} \cdot \frac{R4}{R4 + R3} \cdot 2 \quad (\text{eq. 1})$$

- For Load Current:

$$\text{Diff Output} = \text{Load Current} \cdot \text{Channel Shunt Gain} \cdot 2$$

$$\text{Diff Output} = I_{\text{Load}} \cdot \frac{R2 + R_{\text{sense}}}{R1} \cdot 2 \quad (\text{eq. 2})$$

These gain settings can be adjusted by changing the bus divider resistors, and the shunt current network resistors as desired.

Board Connections & Jumper Settings

The following board to bench equipment connections are required for demonstration of 4 channel power monitoring. Make all board connections with supplies and loads disabled. Take adequate precautions when working with high current and high voltage applications. Table 3 below defines all default board connections and their purpose.

NCP45491IMNGEVB

Table 3. EVALUATION BOARD DEFAULT CONNECTIONS

Connection	Connect To...	Purpose
VBUS1 (banana)	12 V supply	Provides channel 1 and channel 3 bus voltages
VBUS2 (banana)	6 V supply	Provides channel 2 and channel 4 bus voltages
LOAD1 & GND (banana)	0.5 A load current (24 Ω 1W resistor)	Provides channel 1 load current
LOAD2 & GND (banana)	2 A load current (3 Ω 12 W resistor)	Provides channel 2 load current
LOAD3 & GND (banana)	0.5 A load (24 Ω 1W resistor)	Provides channel 3
LOAD4 & GND (banana)	2 A load current (3 Ω 12 W resistor)	Provides channel 4 load current
VCC & GND	3.3 V	Provides NCP45491 supply
MUX_SEL (sma)	3.3 V to 0 V signal generator	Channel mux select input
EN (sma/header)	3.3 V to 0 V signal generator or tied to GND	NCP45491 enable input. Active low
DIFF_OUT_P (sma)	Oscilloscope	Differential output (positive)
DIFF_OUT_N (sma)	Oscilloscope	Differential output (negative)

NOTES:

1. All connections to the board have an accompanying ground connection. Use all ground connections with the evaluation board being the center of a star ground to avoid ground loops.
2. Connect to DIFF_OUT* signals with either 2 SMA to BNC cables to an oscilloscope (where the subtraction of the 2 signals give the differential voltage), or connect to the DIFF_OUT* test loops with a twisted pair or differential probe. Connecting in this manner will mitigate noise via EMI.
3. SH_INx inputs need to be driven to a voltage between VCC and 26 V, even for unused channels. Jumpers 1, 2, 5, and 8 provide a means to connect unused channels to VCC. If a channel is not in use, the jumper should be switched to the VCC position and the SH_Ox jumper should be removed to float the SH_Ox pin.

Table 4 below defines all default jumper connections and their purpose.

Table 4. DEFAULT JUMPER DEFINITION

Jumper	Default Setting	Function
J1	Shorted [1,2]	Connects channel 1 bus voltage. [2,3] connection sets bus voltage to 3.3 V
J2	Shorted [1,2]	Connects channel 1 bus voltage. [2,3] connection sets bus voltage to 3.3 V
J5	Shorted [1,2]	Connects channel 1 bus voltage. [2,3] connection sets bus voltage to 3.3 V
J8	Shorted [1,2]	Connects channel 1 bus voltage. [2,3] connection sets bus voltage to 3.3 V
J3	Shorted	SH_O2
J4	Shorted	SH_O1
J6	Shorted	SH_O3
J7	Shorted	SH_O4
J20	Shorted [1,2]	SKIP input connection
J21	Open	MODE_SEL input connection
J10	Open	SMD jumper that can be shorted to tie EN to GND

NCP45491IMNGEVB

Testing Procedure

The NCP45491IMNGEVB comes fully assembled and tested. Follow the steps below to verify board operation. Refer to the schematic and layout diagrams found in [Appendix A](#) and [Appendix B](#) respectively as needed.

1. Apply power to VBUS inputs (6 V and 12 V supply).
2. Apply load currents for all channels.
3. Apply 3.3 V VCC power.
4. Apply MUX_SEL signal. (Square wave 50% duty cycle, 100 kHz or faster, VCC to 0 V)
 - a. 8 cycles will read out voltage and current data for all 4 channels.
 - b. Continuous cycles on MUX_SEL will read out bus voltage and current data continuously, repeating channels 1–4.

5. Observe the following:
 - a. 1.3 V on BG_REF_OUT
 - b. 650 mV on CM_REF_IN
 - c. 170 mV on BS_REF
 - d. Bus voltages and currents represented on DIFF_OUTP and DIFF_OUTN with oscilloscope.

PCB Layout

Care must be taken in PCB layout regarding a few specific nodes for proper operation of the NCP45491. Connections to the external sense resistor for each channel must be treated as a 4 wire Kelvin connection. The SH_IN_Nx and the SH_IN_Px (connected through R1) must connect directly to the sense resistor leads for each respective channel. These should also be large traces to avoid error in the shunt current measurement. See [Appendix C](#) for the example layout of the evaluation board.

APPENDIX A – EVALUATION BOARD SCHEMATIC

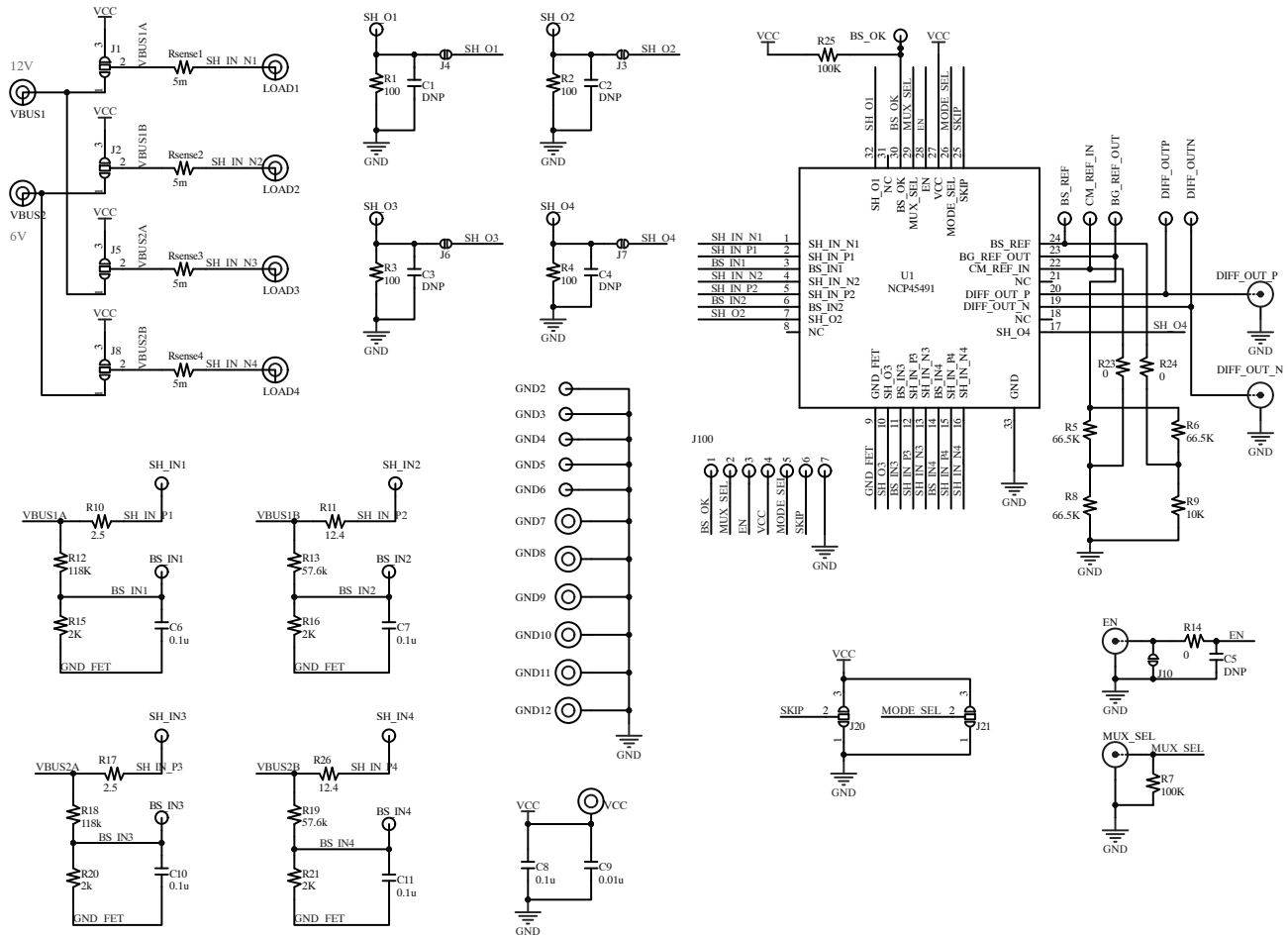


Figure 1. NCP45491 Evaluation Board Schematic

NCP45491IMNGEVB

APPENDIX B – BILL OF MATERIALS

Table 5. BILL OF MATERIALS

Designator	Footprint	Value	Quantity	Digikey P/N
BG_REF_OUT, BS_IN1, BS_IN2, BS_IN3, BS_IN4, BS_OK, BS_REF, CM_REF_IN, DIFF_OUTN, DIFF_OUTP, GND2, GND3, GND4, GND5, GND6, SH_IN1, SH_IN2, SH_IN3, SH_IN4, SH_O1, SH_O2, SH_O3, SH_O4	Test_Point	Test loop	23	36-5009-ND
C1, C2, C3, C4, C5	SMD_0805	No placement	5	N/A
C6, C7, C8, C10, C11	SMD_0805	0.1 μ F	5	490-8049-1-ND
C9	SMD_0805	0.01 μ F	1	1276-1015-2-ND
DIFF_OUT_N, DIFF_OUT_P, EN, MUX_SEL	SMB_V-RJ45	SMB/SMA Strai	4	WM5543-ND
GND7, GND8, GND9, GND10, GND11, GND12, LOAD1, LOAD2, LOAD3, LOAD4, VBUS1, VBUS2, VCC	Bannana_Connec	Banana Con	13	J587-ND
J1, J2, J5, J8, J20, J21	10th" header	3 pins	6	732-5316-ND
J3, J4, J6, J7, J10, J100	10th" header	10" header	6	732-5315-ND
R12, R18	SMD_1206	118 k Ω	2	P118KFCT-ND
R15, R20, R16, R21	SMD_1206	2 k Ω	4	P2.0KBCCT-ND
Rsense1, Rsense2, Rsense3, Rsense4	SMD_1206	5 m Ω	4	RHM.005ALCT-ND
R1, R2, R3, R4	SMD_1206	100 Ω	4	P100BCCT-ND
R5, R6, R8	SMD_1206	66.5 k Ω	3	311-66.5KFRCT-ND
R9	SMD_1206	10 k Ω	1	RNCP1206FTD10K0CT-ND
R14, R23, R24	SMD_1206	0 Ω	3	HCJ1206ZT0R00CT-ND
R7, R25	SMD_1206	100 k Ω	2	RHM100KICT-ND
R13, R19	SMD_1206	57.6 k Ω	2	P57.6KAACT-ND
R11, R26	SMD_1206	12.4 Ω	2	311-12/4FRCT-ND
R10, R17	SMD_1206	2.5 Ω	2	541-2.49UCT-ND
U1	NCP45491	N/A	1	NCP45491

NCP45491IMNGEVB

APPENDIX C – NCP45491 EVALUATION BOARD LAYOUT

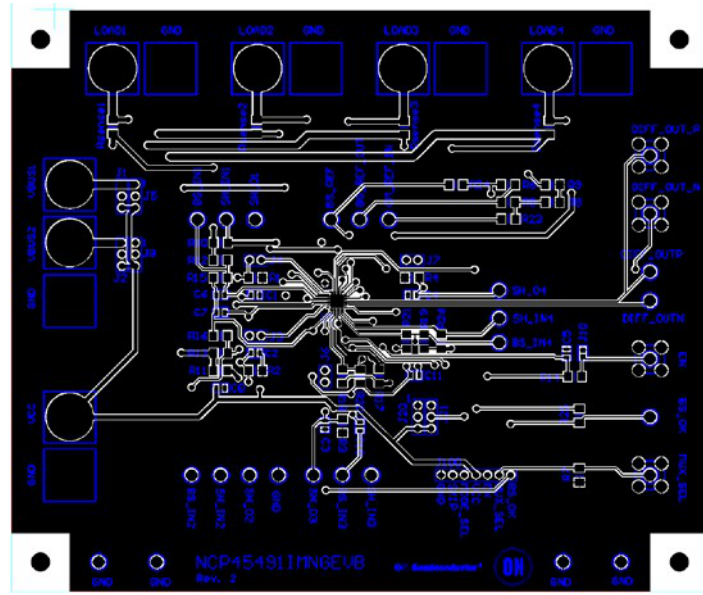


Figure 2. PCB Front (Top Metallization)

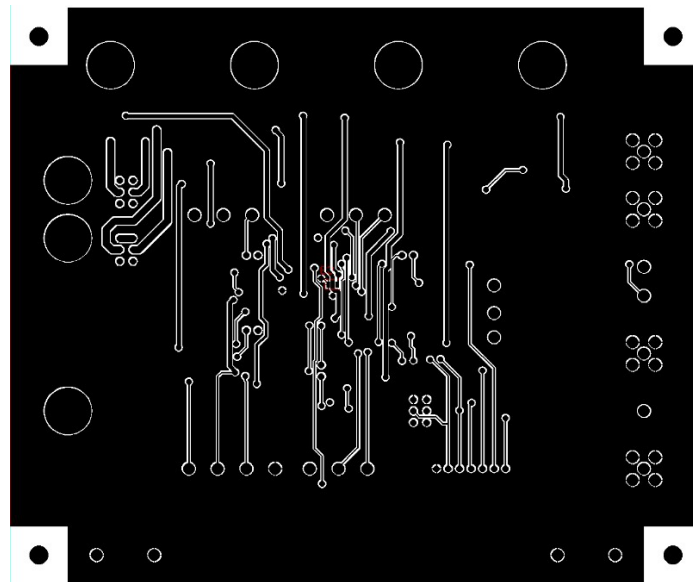


Figure 3. PCB Backside (Bottom Metallization)

onsemi, **Onsemi**, and other names, marks, and brands are registered and/or common law trademarks of Semiconductor Components Industries, LLC dba "**onsemi**" or its affiliates and/or subsidiaries in the United States and/or other countries. **onsemi** owns the rights to a number of patents, trademarks, copyrights, trade secrets, and other intellectual property. A listing of **onsemi**'s product/patent coverage may be accessed at www.onsemi.com/site/pdf/Patent-Marking.pdf. **onsemi** is an Equal Opportunity/Affirmative Action Employer. This literature is subject to all applicable copyright laws and is not for resale in any manner.

The evaluation board/kit (research and development board/kit) (hereinafter the "board") is not a finished product and is not available for sale to consumers. The board is only intended for research, development, demonstration and evaluation purposes and will only be used in laboratory/development areas by persons with an engineering/technical training and familiar with the risks associated with handling electrical/mechanical components, systems and subsystems. This person assumes full responsibility/liability for proper and safe handling. Any other use, resale or redistribution for any other purpose is strictly prohibited.

THE BOARD IS PROVIDED BY ONSEMI TO YOU "AS IS" AND WITHOUT ANY REPRESENTATIONS OR WARRANTIES WHATSOEVER. WITHOUT LIMITING THE FOREGOING, ONSEMI (AND ITS LICENSORS/SUPPLIERS) HEREBY DISCLAIMS ANY AND ALL REPRESENTATIONS AND WARRANTIES IN RELATION TO THE BOARD, ANY MODIFICATIONS, OR THIS AGREEMENT, WHETHER EXPRESS, IMPLIED, STATUTORY OR OTHERWISE, INCLUDING WITHOUT LIMITATION ANY AND ALL REPRESENTATIONS AND WARRANTIES OF MERCHANTABILITY, FITNESS FOR A PARTICULAR PURPOSE, TITLE, NON-INFRINGEMENT, AND THOSE ARISING FROM A COURSE OF DEALING, TRADE USAGE, TRADE CUSTOM OR TRADE PRACTICE.

onsemi reserves the right to make changes without further notice to any board.

You are responsible for determining whether the board will be suitable for your intended use or application or will achieve your intended results. Prior to using or distributing any systems that have been evaluated, designed or tested using the board, you agree to test and validate your design to confirm the functionality for your application. Any technical, applications or design information or advice, quality characterization, reliability data or other services provided by **onsemi** shall not constitute any representation or warranty by **onsemi**, and no additional obligations or liabilities shall arise from **onsemi** having provided such information or services.

onsemi products including the boards are not designed, intended, or authorized for use in life support systems, or any FDA Class 3 medical devices or medical devices with a similar or equivalent classification in a foreign jurisdiction, or any devices intended for implantation in the human body. You agree to indemnify, defend and hold harmless **onsemi**, its directors, officers, employees, representatives, agents, subsidiaries, affiliates, distributors, and assigns, against any and all liabilities, losses, costs, damages, judgments, and expenses, arising out of any claim, demand, investigation, lawsuit, regulatory action or cause of action arising out of or associated with any unauthorized use, even if such claim alleges that **onsemi** was negligent regarding the design or manufacture of any products and/or the board.

This evaluation board/kit does not fall within the scope of the European Union directives regarding electromagnetic compatibility, restricted substances (RoHS), recycling (WEEE), FCC, CE or UL, and may not meet the technical requirements of these or other related directives.

FCC WARNING – This evaluation board/kit is intended for use for engineering development, demonstration, or evaluation purposes only and is not considered by **onsemi** to be a finished end product fit for general consumer use. It may generate, use, or radiate radio frequency energy and has not been tested for compliance with the limits of computing devices pursuant to part 15 of FCC rules, which are designed to provide reasonable protection against radio frequency interference. Operation of this equipment may cause interference with radio communications, in which case the user shall be responsible, at its expense, to take whatever measures may be required to correct this interference.

onsemi does not convey any license under its patent rights nor the rights of others.

LIMITATIONS OF LIABILITY: **onsemi** shall not be liable for any special, consequential, incidental, indirect or punitive damages, including, but not limited to the costs of requalification, delay, loss of profits or goodwill, arising out of or in connection with the board, even if **onsemi** is advised of the possibility of such damages. In no event shall **onsemi**'s aggregate liability from any obligation arising out of or in connection with the board, under any theory of liability, exceed the purchase price paid for the board, if any.

The board is provided to you subject to the license and other terms per **onsemi**'s standard terms and conditions of sale. For more information and documentation, please visit www.onsemi.com.

PUBLICATION ORDERING INFORMATION

LITERATURE FULFILLMENT:

Email Requests to: orderlit@onsemi.com

onsemi Website: www.onsemi.com

TECHNICAL SUPPORT

North American Technical Support:

Voice Mail: 1 800-282-9855 Toll Free USA/Canada

Phone: 011 421 33 790 2910

Europe, Middle East and Africa Technical Support:

Phone: 00421 33 790 2910

For additional information, please contact your local Sales Representative