

DO NOT SCALE FROM THIS PRINT

TABLE 1			
ITEM	COMPONENT	-H	-HN
1	SUB ASSEMBLY	SUB-MCX-P-C-H-RA-CA1	SUB-MCX-P-C-HN-RA-CA1
2	CAP	MCX-CAP-001-F	MCX-CAP-001-N
3	FERRULE	MCX-FER-002-F	MCX-FER-002-N
4	INSULATOR	MCX-INS-001	MCX-INS-001

GENDER
-P: PLUG

TYPE
-C: CABLE

TERMINATION
-CA1: CABLE
(RG174 OR RG316)

ORIENTATION
-RA: RIGHT ANGLE

PLATING SPECIFICATION

-H: 30µ" GOLD CENTER CONTACT,
3µ" GOLD OUTER CONTACT
-HN: 30µ" GOLD CENTER CONTACT,
100µ" NICKEL OUTER CONTACT
(SEE TABLE 1)

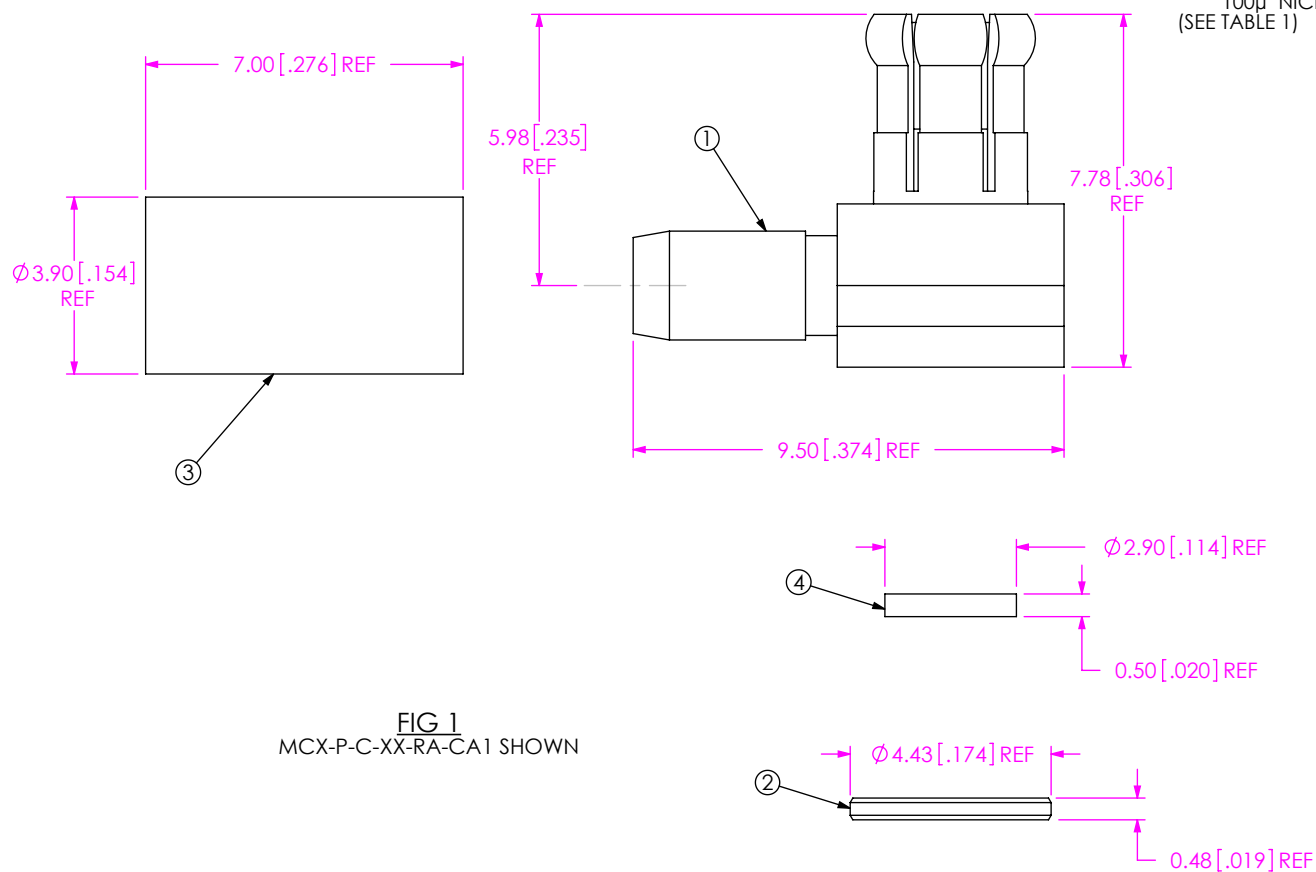


FIG 1
MCX-P-C-XX-RA-CA1 SHOWN

NOTES:

1. REPRESENTS A CRITICAL DIMENSION.
2. CENTER CONTACT PUSHOUT FORCE: 26.69 N [6LB] MIN
3. NOTE DELETED.
4. NOTE DELETED.
5. PRODUCT TO BE PACKAGED PER PACKAGING STANDARD CO-RF-WI-3040-M.
6. NOTE DELETED.
7. NOTE DELETED.
8. NOTE DELETED.

c:\enterprisevault\DWG\MISC\MKTG\MCX-P-C-XX-RA-CA1-MKT.SLDDRW

UNLESS OTHERWISE SPECIFIED,
DIMENSIONS ARE IN
MILLIMETERS [INCHES].
TOLERANCES ARE:
DECIMALS ANGLES
.X: ±0.3 [.01] 5°
.XX: ±0.13 [.005]
.XXX: ±0.051 [.0020]

PROPRIETARY NOTE
THIS DOCUMENT CONTAINS CONFIDENTIAL AND PROPRIETARY INFORMATION AND ALL DESIGN, MANUFACTURING, REPRODUCTION, USE, PATENT RIGHTS AND SALES RIGHTS ARE EXPRESSLY RESERVED BY SAMTEC, INC. THIS DOCUMENT SHALL NOT BE DISCLOSED, IN WHOLE OR PART, TO ANY UNAUTHORIZED PERSON OR ENTITY NOR REPRODUCED, TRANSFERRED OR INCORPORATED IN ANY OTHER PROJECT IN ANY MANNER WITHOUT THE EXPRESS WRITTEN CONSENT OF SAMTEC, INC.

MATERIAL: DO NOT SCALE DRAWING SHEET SCALE: 1:0.166667
SHELL, FERRULE, CAP: BRASS
PIN: BRASS
INSULATOR: PTFE

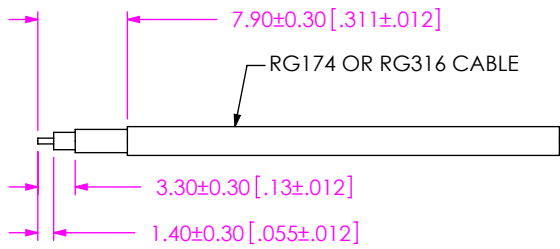


520 PARK EAST BLVD., NEW ALBANY, IN 47150
PHONE: 812-944-6733 FAX: 812-948-5047
e-Mail info@SAMTEC.com code 55322

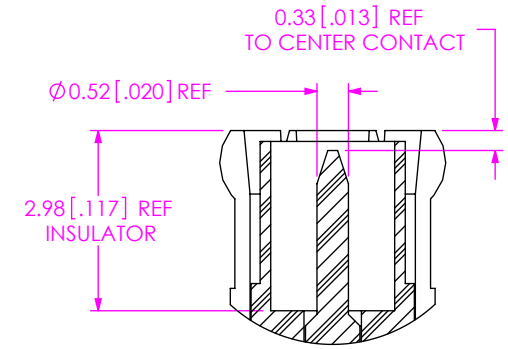
DESCRIPTION:
MCX RIGHT ANGLE CABLE PLUG, RG174 & RG316- 50 OHM

DWG. NO.
MCX-P-C-XX-RA-CA1

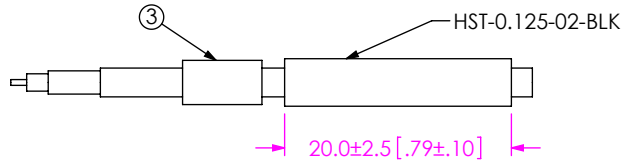
BY: R MUSSER 02/06/2008 SHEET 1 OF 2



IN-PROCESS 1
STRIP AND TIN INNER CONDUCTOR

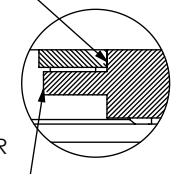


DETAIL 'A'
SCALE 8:1

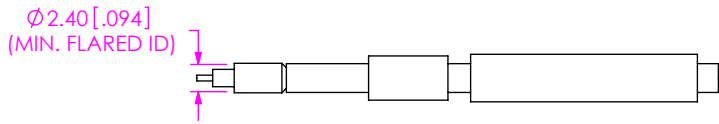


IN-PROCESS 2
ADD HEAT SHRINK TUBE AND FERRULE

END OF CABLE DIELECTRIC SHOULD SEAT AGAINST CONTACT CUP

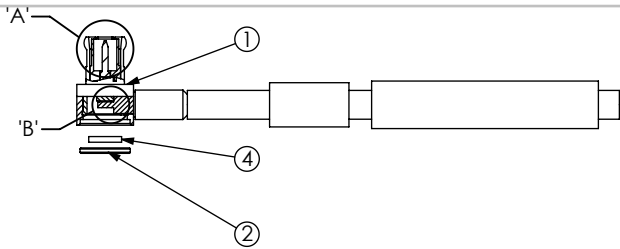


DETAIL 'B'
SCALE 6:1

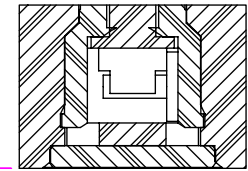


IN-PROCESS 3
FLARE SHIELD

CABLE CENTER CONDUCTOR SHOULD NOT PROTRUDE OUTSIDE CONTACT CUP AFTER FERRULER IS CRIMPED

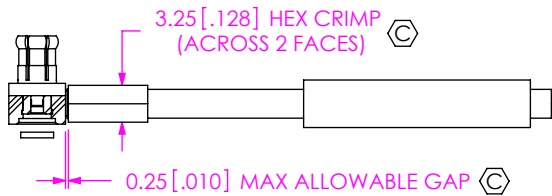


IN-PROCESS 4
ADD SUB-MCX-P-C-XX-RA-CA1

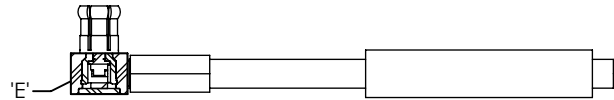


0.00±0.10 [.000±.004]

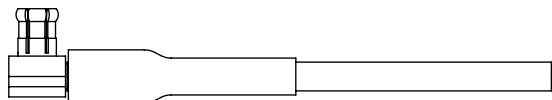
DETAIL 'E'
SCALE 6:1



IN-PROCESS 5
CRIMP FERRULE AND SOLDER SIGNAL PIN
(USE RF CRIMP HAND TOOL # CAT-RF-FER-01 OR EQUIVALENT)



IN-PROCESS 6
INSERT INSULATOR AND CAP



IN-PROCESS 7
APPLY HEAT SHRINK TUBING

PROPRIETARY NOTE
THIS DOCUMENT CONTAINS CONFIDENTIAL AND PROPRIETARY INFORMATION AND ALL DESIGN, MANUFACTURING, REPRODUCTION, USE, PATENT RIGHTS AND SALES RIGHTS ARE EXPRESSLY RESERVED BY SAMTEC, INC. THIS DOCUMENT SHALL NOT BE DISCLOSED, IN WHOLE OR PART, TO ANY UNAUTHORIZED PERSON OR ENTITY NOR REPRODUCED, TRANSFERRED OR INCORPORATED IN ANY OTHER PROJECT IN ANY MANNER WITHOUT THE EXPRESS WRITTEN CONSENT OF SAMTEC, INC.

DO NOT SCALE DRAWING
SHEET SCALE: 1:0.666667

samtec

520 PARK EAST BLVD, NEW ALBANY, IN 47150
PHONE: 812-944-6733 FAX: 812-948-5047
e-Mail info@SAMTEC.com code 55322

DESCRIPTION:
MCX RIGHT ANGLE CABLE PLUG, RG174 & RG316- 50 OHM

DWG. NO.
MCX-P-C-XX-RA-CA1

BY: R MUSSER 02/06/2008 SHEET 2 OF 2