



Film Capacitors

Power Electronic Capacitors

Series/Type: MKP DC LSI
Ordering code: B2563xB*
Date: July 2019
Version: 1

1. Construction and general data

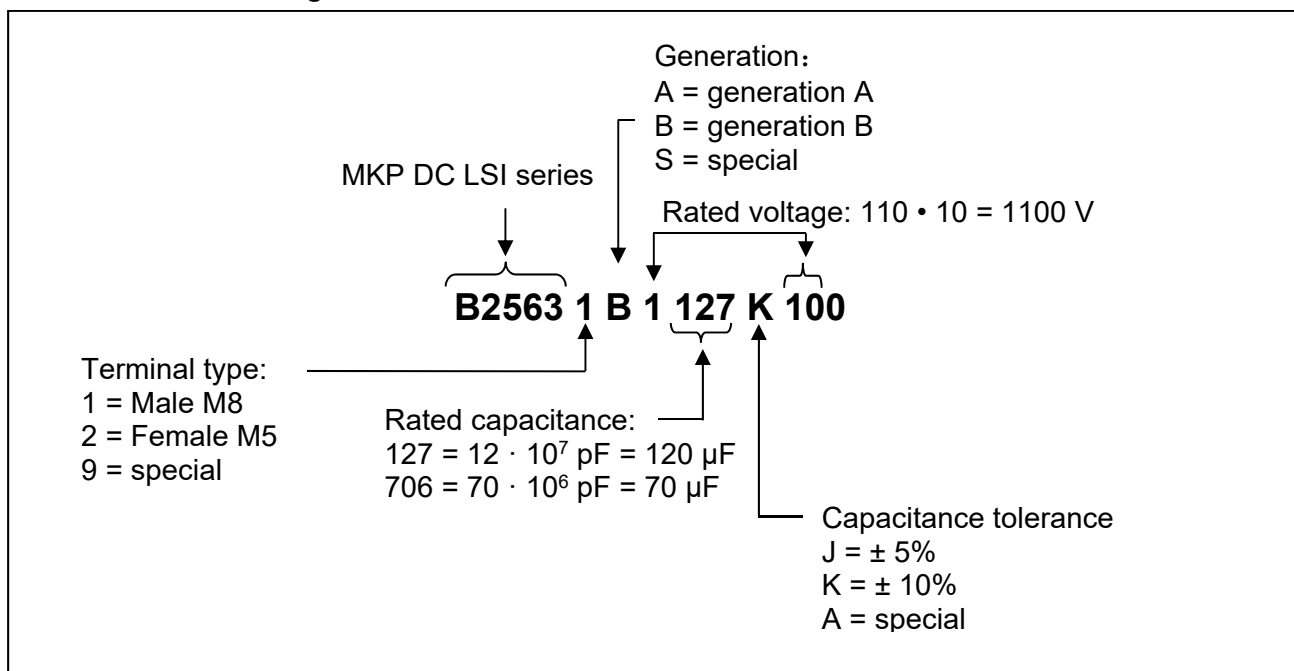
Characteristics	
Capacitance tolerance	K: $\pm 10\%$
Dielectric dissipation factor ($\tan \delta_o$)	$2 \cdot 10^{-4}$
Service life expectancy $t_{LD (co)}$	100 000 h at $T_{hs} +70^\circ\text{C}$ and V_{RDC}
Expected failure rate $\alpha_{FQ (co)}$	100 Fit
Storage temperature T_{stg}	$-40 \dots +85^\circ\text{C}$
Minimum temperature $T_{op,min.}$	-40°C
Maximum temperature $T_{op,max.}$	$+85^\circ\text{C}$
Maximum hotspot temperature T_{hs}	$+85^\circ\text{C}$
Climatic category	40/85/56
Maximum altitude	2000m above sea level (derating curves available upon request)

Test data	
Voltage between terminals V_{TT}	$1.5 V_{RDC}$, 10 s
Dissipation factor $\tan \delta(100 \text{ Hz})$	$\leq 1.0 \times 10^{-3}$
Life test	According to IEC 61071
Cooling	Natural air cooling or forced air cooling
Degree of protection	IP00

Design data	
Resin filling	Hard polyurethane(Dry type), non PCB
Mounting	Lateral brackets
Max. Torque terminal	Male M8: 8 Nm Female M5: 2.5 Nm

Reference standards	
IEC 61071	
RoHS compliance	
UL 94 V0	

1.1 Structure of ordering code



1.2 Drawings

Figure 1: - B25631B
 - Male M8 terminals

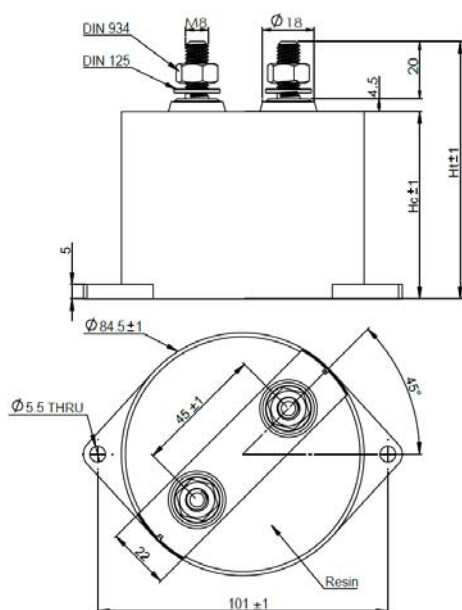
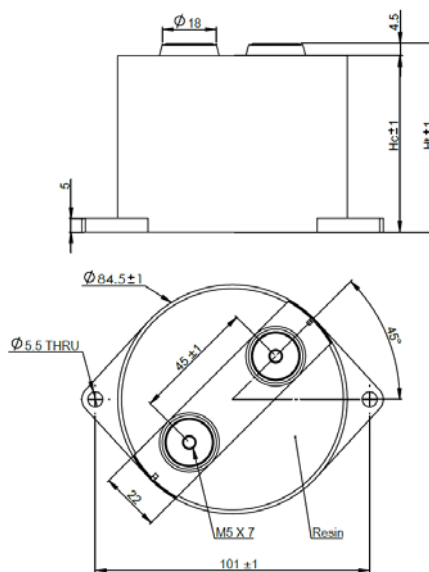


Figure 2: - B25632B
 - Female M5 terminals



Terms and characteristics

The following definitions apply to power capacitors according to IEC 61071.

Rated capacitance C_R

Nominal value of the capacitance at 20 °C and measuring frequency of 100 Hz.

Rated DC voltage V_{RDC}

Maximum operating peak voltage of either polarity but of a non-reversing type wave form, for which the capacitor has been designed, for continuous operation.

Ripple voltage V_{ripple}

Peak-to-peak alternating component of the unidirectional voltage.

This value must not exceed $0.28 \cdot V_{RDC}$

Maximum surge voltage V_s

Peak voltage induced by a switching or any other disturbance of the system which is allowed for a limited number of times and short period.

Insulation voltage V_i

Rms rated value of the insulation voltage of capacitive elements and terminals to case or earth. When it is not specified in the product data sheet, the insulation voltage is at least:

$$V_i = \frac{V_{RDC}}{\sqrt{2}}$$

AC voltage test between terminals and case V_{TC}

Units having all terminals insulated from the container shall be subjected for 10 s to a voltage applied between the terminals (joined together) and the container.

Maximum rate of voltage rise $(dv/dt)_{max}$

Maximum permissible repetitive rate of voltage rise of the operational voltage.

Maximum current I_{max}

Maximum rms current for continuous operation for the given frequency range and for the maximum ripple voltage. Please provide Frequency Spectrum of rms current to your sales contact.

Maximum peak current \hat{I}

Maximum permissible repetitive current amplitude during continuous operation.

Maximum peak current (\hat{I}) and maximum rate of voltage rise $(dv/dt)_{max}$ on a capacitor are related as follows:

$$\hat{I} = C \cdot (dv/dt)_{max}$$

Maximum surge current \hat{I}_s

Admissible peak current induced by a switching or any other disturbance of the system which is allowed for a limited number of times and short period.

$$\hat{I}_s = C \cdot (dv/dt)_s$$

Ambient temperature T_A

Temperature of the surrounding air, measured at 10 cm distance and 2/3 of the case height of the capacitor.

Lowest operating temperature $T_{op,min}$

Lowest permitted ambient temperature at which a capacitor may be energized.

Maximum operating temperature $T_{op,max}$

Highest permitted capacitor temperature during operation, i.e. temperature at the hottest point of the case.

Hot-spot temperature T_{hs}

Temperature zone inside of the capacitor at hottest spot.

$$T_{hs} = T_A + I_{RMS}^2 \cdot ESR \cdot R_{th}$$

Tangent of the loss angle of a capacitor $\tan \delta$

Ratio between the equivalent series resistance and the capacitive reactance of a capacitor at a specified sinusoidal alternating voltage, frequency and temperature.

Series resistance R_s

The sum of all Ohmic resistances occurring inside the capacitor.

ESR

Effective resistance which, if connected in series with an ideal capacitor of capacitance value equal to that of the capacitor in question, would have a power loss equal to active power dissipated in that capacitor under specified operating conditions.

$$ESR = \frac{\tan \delta}{\omega \cdot C} = R_s + \frac{\tan \delta_0}{\omega \cdot C}$$

Thermal resistance R_{th}

The thermal resistance indicates by how many degrees the capacitor temperature at the hot spot rises in relation to the dissipation losses.

Maximum power loss P_{max}

Maximum permissible power dissipation for the capacitor's operation.

$$P_{max} = \frac{T_{hs} - T_A}{R_{th}}$$

Self inductance L_{self}

The sum of all inductive elements which are contained in a capacitor.

Resonance frequency f_r

The lowest frequency at which the impedance of the capacitor becomes minimum.

$$f_r = \frac{1}{2\pi \cdot \sqrt{L_{self} \cdot C_R}}$$

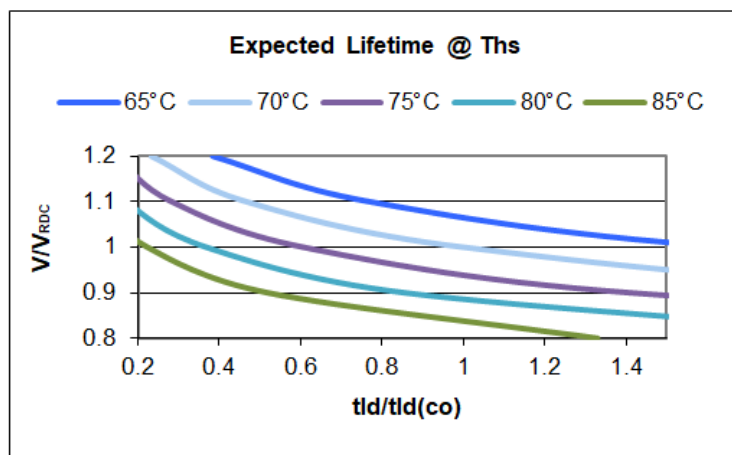
V _{RDC}	C _R	I _{max} ¹	\hat{I}	\hat{I}_s	ESR ²	L _{self}	R _{th}	D	H _c	H _t	Weight	Ordering code
	μF	A	kA	kA	mΩ	nH	K/W	mm	mm	mm	kg	
600	200	55	2.9	8.7	0.9	30	6.8	85	50	74.5	0.4	B25631B0207K600
	300	60	2.9	8.7	1.2	35	4.5	85	65	89.5	0.49	B25631B0307K600
	300	60	2.9	8.7	1.2	35	4.5	85	65	69.5	0.46	B25632B0307K600
700	150	55	2.5	7.5	0.9	30	6.8	85	50	74.5	0.4	B25631B0157K700
	220	60	2.4	7.3	1.2	35	4.5	85	65	89.5	0.49	B25631B0227K700
800	120	55	2.2	6.7	1.0	30	6.8	85	50	74.5	0.4	B25631B0127K800
	180	60	2.2	6.7	1.3	35	4.5	85	65	89.5	0.49	B25631B0187K800
	180	60	2.2	6.7	1.3	35	4.5	85	65	69.5	0.46	B25632B0187K800
900	100	55	2.7	8.1	1.0	30	6.8	85	50	74.5	0.4	B25631B0107K900
	150	60	2.5	7.5	1.3	35	4.5	85	65	89.5	0.49	B25631B0157K900
1100	80	50	2.3	6.9	1.1	30	6.8	85	50	74.5	0.4	B25631B1806K100
	120	55	2.2	6.6	1.4	35	4.5	85	65	89.5	0.49	B25631B1127K100
	120	55	2.2	6.6	1.4	35	4.5	85	65	69.5	0.46	B25632B1127K100
1200	60	50	2.1	6.3	1.3	30	6.8	85	50	74.5	0.4	B25631B1606K200
	95	55	2.2	6.6	1.6	35	4.5	85	65	89.5	0.49	B25631B1956K200
1300	50	50	2.0	6.0	1.4	30	6.8	85	50	74.5	0.4	B25631B1506K300
	80	55	2.0	6.0	1.7	35	4.5	85	65	89.5	0.49	B25631B1806K300
1400	45	50	1.7	5.1	1.5	30	6.8	85	50	74.5	0.4	B25631B1456K400
	70	55	1.8	5.4	1.7	35	4.5	85	65	89.5	0.49	B25631B1706K400
1500	40	45	1.6	4.8	1.6	30	6.8	85	50	74.5	0.4	B25631B1406K500
	60	50	1.6	4.8	1.9	35	4.5	85	65	89.5	0.49	B25631B1606K500
1600	35	45	1.5	4.5	1.7	30	6.8	85	50	74.5	0.4	B25631B1356K600
	55	50	1.6	4.8	2.3	35	4.5	85	65	89.5	0.49	B25631B1556K600
2000	20	45	1.2	3.6	1.8	30	6.8	85	50	74.5	0.4	B25631B2206K000
	30	50	1.3	3.9	2.5	35	4.5	85	65	89.5	0.49	B25631B2306K000

¹ I_{max} at ambient temperature 55 °C

² ESR at 1 kHz (typical value)

Other configurations and capacitance tolerances are available upon request

2. Service life expectancy



Service life t_{LD} at different hotspot temperature (T_{hs}) and voltage V

The expected lifetime is a calculated value based on real application data and life endurance test for this capacitor series. The lifetime calculation correlates the time of test, voltage and temperature always comparing testing conditions to real application data and its own ageing factors. In order to determine the ageing factor used for this capacitor design, it was performed life endurance tests with different stress is voltage and temperature. Failure criteria is capacitance drop higher than 3%.

Cautions and warnings

- In case of dents of more than 1 mm depth or any other mechanical damage, capacitors must not be used at all.
- Check tightness of the connections/terminals periodically.
- The energy stored in capacitors may be lethal. To prevent any chance of shock, discharge and short-circuit the capacitor before handling.
- Failure to follow cautions may result, worst case, in premature failures, bursting and fire.
- Protect the capacitor properly against over current and short circuit.
- TDK Electronics is not responsible for any kind of possible damages to persons or things due to improper installation and application of capacitors for power electronics.

Safety

Electrical or mechanical misapplication of capacitors may be hazardous. Personal injury or property damage may result from bursting of the capacitor or from expulsion melted material due to mechanical disruption of the capacitor.

- Ensure good, effective grounding for capacitor enclosures.
- Observe appropriate safety precautions during operation (self-recharging phenomena and the high energy contained in capacitors).
- Handle capacitors carefully, because they may still be charged even after disconnection.
- The terminals of capacitors, connected bus bars and cables as well as other devices may also be energized.
- Follow good engineering practice.

Thermal load

After installation of the capacitor it is necessary to verify that maximum hot-spot temperature is not exceeded at extreme service conditions.

Mechanical protection

The capacitor has to be installed in a way that mechanical damages and dents in the aluminum can be avoided.

Storage and operating conditions

Do not use or store capacitors in corrosive atmosphere, especially where chloride gas, sulfide gas, acid, alkali, salt or the like are present. In dusty environments regular maintenance and cleaning especially of the terminals is required to avoid conductive path between phases and/or phases and ground.

Service life expectancy

Electrical components do not have an unlimited service life expectancy; this applies to self-healing capacitors, too. The maximum service life expectancy may vary depending on the application the capacitor is used in.

Display of ordering codes for TDK Electronics products

The ordering code for one and the same product can be represented differently in data sheets, data books, other publications, on the company website, or in order-related documents such as shipping notes, order confirmations and product labels. **The varying representations of the ordering codes are due to different processes employed and do not affect the specifications of the respective products.** Detailed information can be found on the Internet under www.tdk-electronics.tdk.com/orderingcodes.

Important notes

The following applies to all products named in this publication:

1. Some parts of this publication contain **statements about the suitability of our products for certain areas of application**. These statements are based on our knowledge of typical requirements that are often placed on our products in the areas of application concerned. We nevertheless expressly point out **that such statements cannot be regarded as binding statements about the suitability of our products for a particular customer application**. As a rule we are either unfamiliar with individual customer applications or less familiar with them than the customers themselves. For these reasons, it is always ultimately incumbent on the customer to check and decide whether a product with the properties described in the product specification is suitable for use in a particular customer application.
2. We also point out that **in individual cases, a malfunction of electronic components or failure before the end of their usual service life cannot be completely ruled out in the current state of the art, even if they are operated as specified**. In customer applications requiring a very high level of operational safety and especially in customer applications in which the malfunction or failure of an electronic component could endanger human life or health (e.g. in accident prevention or life-saving systems), it must therefore be ensured by means of suitable design of the customer application or other action taken by the customer (e.g. installation of protective circuitry or redundancy) that no injury or damage is sustained by third parties in the event of malfunction or failure of an electronic component.
3. **The warnings, cautions and product-specific notes must be observed.**
4. In order to satisfy certain technical requirements, **some of the products described in this publication may contain substances subject to restrictions in certain jurisdictions (e.g. because they are classed as hazardous)**. Useful information on this will be found in our Material Data Sheets on the Internet (www.tdk-electronics.tdk.com/material). Should you have any more detailed questions, please contact our sales offices.
5. We constantly strive to improve our products. Consequently, **the products described in this publication may change from time to time**. The same is true of the corresponding product specifications. Please check therefore to what extent product descriptions and specifications contained in this publication are still applicable before or when you place an order.

We also **reserve the right to discontinue production and delivery of products**. Consequently, we cannot guarantee that all products named in this publication will always be available. The aforementioned does not apply in the case of individual agreements deviating from the foregoing for customer-specific products.

6. Unless otherwise agreed in individual contracts, **all orders are subject to our General Terms and Conditions of Supply**.
7. **Our manufacturing sites serving the automotive business apply the IATF 16949 standard**. The IATF certifications confirm our compliance with requirements regarding the quality management system in the automotive industry. Referring to customer requirements and customer specific requirements ("CSR") TDK always has and will continue to have the policy of respecting individual agreements. Even if IATF 16949 may appear to support the acceptance of unilateral requirements, we hereby like to emphasize that **only requirements mutually agreed upon can and will be implemented in our Quality Management System**. For clarification purposes we like to point out that obligations from IATF 16949 shall only become legally binding if individually agreed upon.

Important notes

8. The trade names EPCOS, CeraCharge, CeraDiode, CeraLink, CeraPad, CeraPlas, CSMP, CTVS, DeltaCap, DigiSiMic, ExoCore, FilterCap, FormFit, LeaXield, MiniBlue, MiniCell, MKD, MKK, MotorCap, PCC, PhaseCap, PhaseCube, PhaseMod, PhiCap, PowerHap, PQSine, PQvar, SIFERRIT, SIFI, SIKOREL, SilverCap, SIMDAD, SiMic, SIMID, SineFormer, SIOV, ThermoFuse, WindCap are **trademarks registered or pending** in Europe and in other countries. Further information will be found on the Internet at www.tdk-electronics.tdk.com/trademarks.

Release 2018-10