

IB IL 24 SEG-PAC


Order No.: 2861344



<http://eshop.phoenixcontact.de/phoenix/treeViewClick.do?UID=2861344>

Inline segment terminal block, complete with accessories (connector and labeling field), 24 V DC, without fuse



Commercial data	
GTIN (EAN)	 4 017918 894283
sales group	K417
Pack	1 pcs.
Customs tariff	85389091
Catalog page information	Page 268 (AX-2009)

Product notes

WEEE/RoHS-compliant since:
07/26/2006



<http://www.download.phoenixcontact.com>
Please note that the data given here has been taken from the online catalog. For comprehensive information and data, please refer to the user documentation. The General Terms and Conditions of Use apply to Internet downloads.

Technical data

Interfaces	
Type of connection	Inline potential distributor
Interface	Supply voltage
Power supply	
I/O voltage	24 V DC

Peripherals voltage range	19.2 V DC ... 30 V DC
Max. current consumption	6 A (8 A)

General data

Type of protection	Overload protection
Protective circuit/component	Fuse
Weight	42 g
Number of connectors	1
Width	12.2 mm
Height	119.8 mm
Depth	71.5 mm

Inline potential routing

Current consumption from U_M	max. 8 A (nominal value)
Segment supply voltage U_s	24 V DC
Power supply at U_s	max. 8 A (nominal value)

Certificates / Approvals



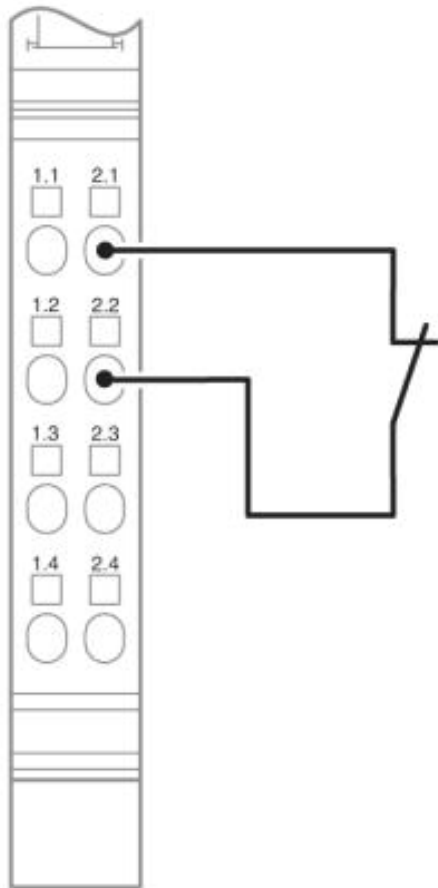
Certification	CUL, GOST, UL
Certification Ex:	CUL-EX LIS, UL-EX LIS

Accessories

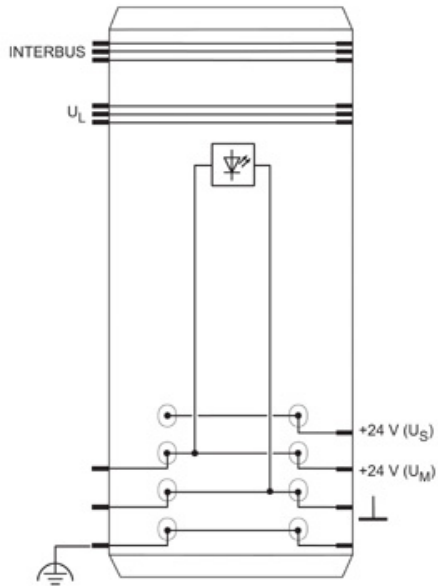
Item	Designation	Description
Marking		
0809492	ESL 62X10	Insert strip for laser printer, lettering field: 62 x 10 mm
2727501	IB IL FIELD 2	Labeling field, width: 12.2 mm
Plug/Adapter		
2727637	IB IL SCN-PWR IN-CP	Connector, colored, for Inline power and segment terminal blocks

Diagrams/Drawings

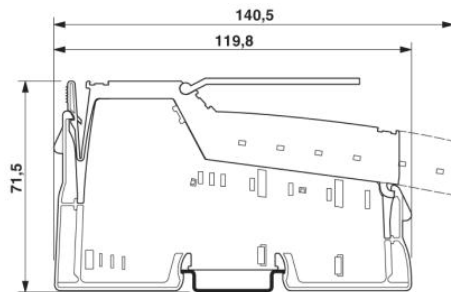
Connection diagram



Block diagram



Dimensioned drawing



Address

PHOENIX CONTACT Deutschland GmbH
Flachmarktstr. 8
32825 Blomberg, Germany
Phone +49 5235 3 12000
Fax +49 5235 3 41200
<http://www.phoenixcontact.de>



© 2011 Phoenix Contact
Technical modifications reserved;