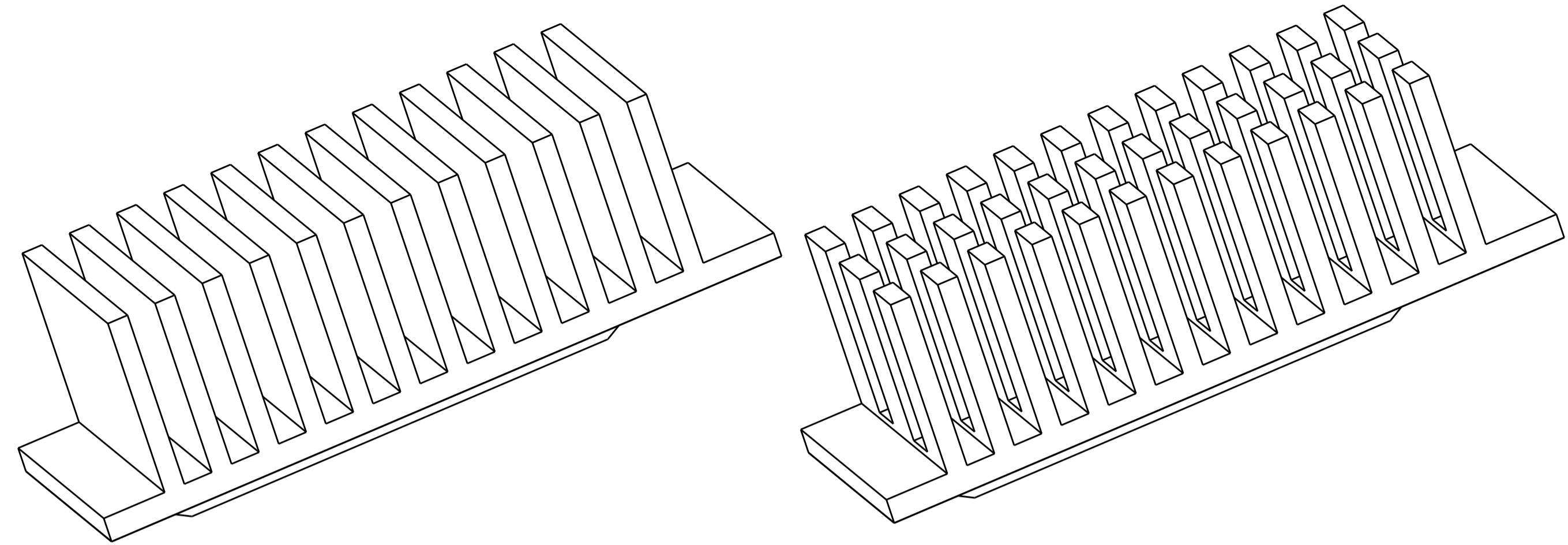


LOC		DIST		REVISIONS			
P	LTN	DESCRIPTION	DATE	DWN	APVD		
1		PRELIMINARY	17AUG2012	JY	AC		

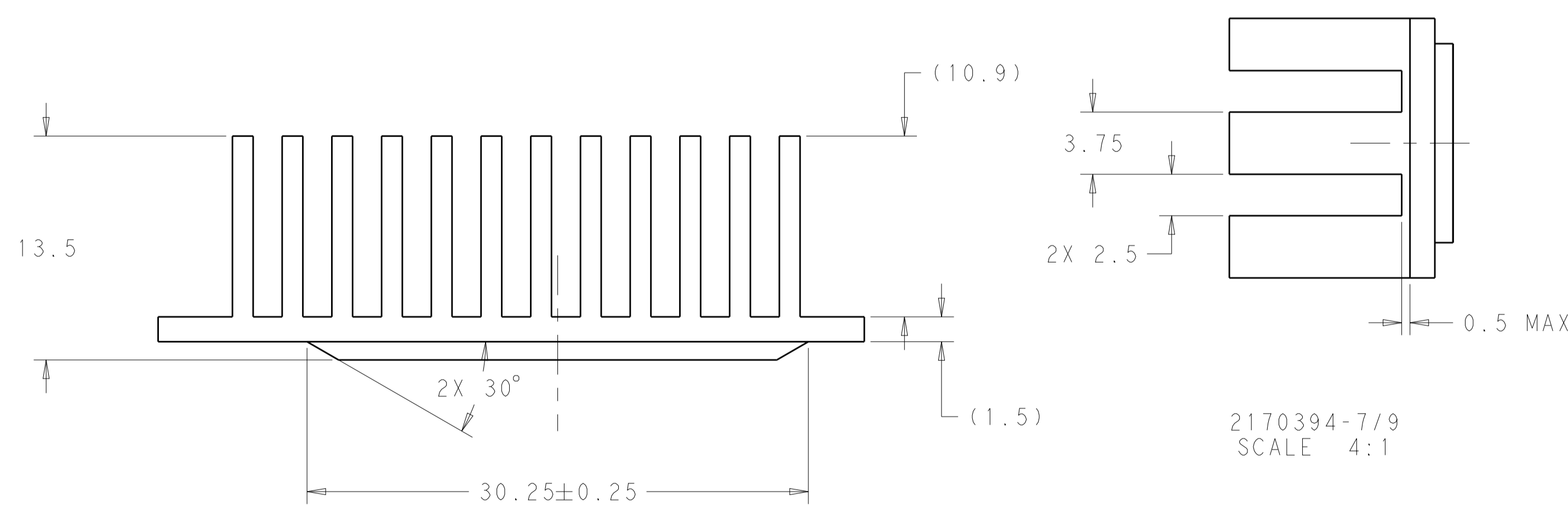
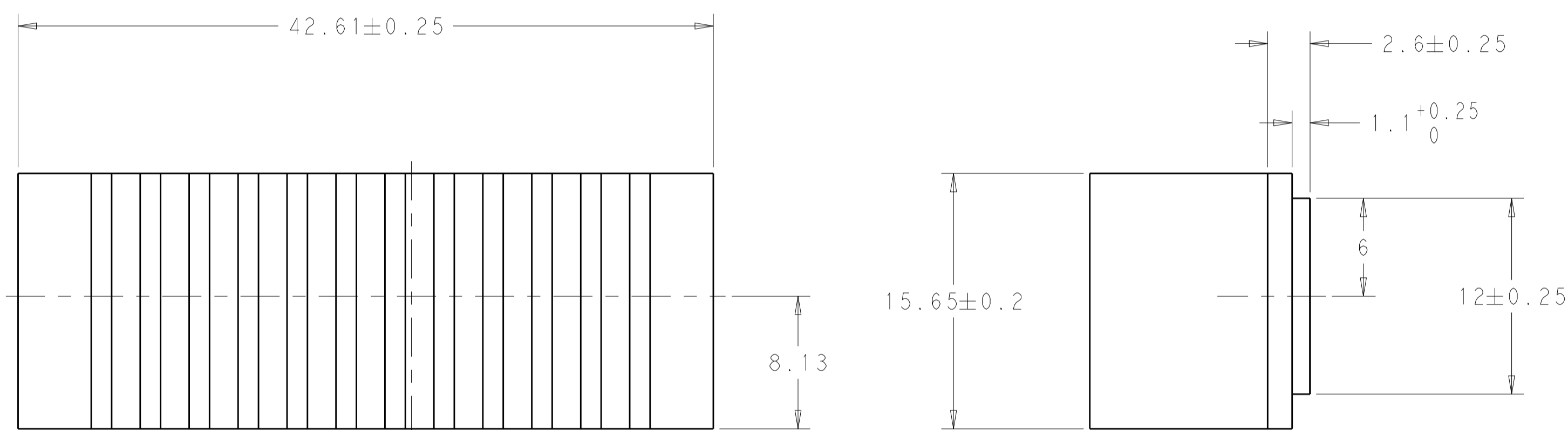


2170394-2/4
WO LIGHT PIPE SLOTS
SCALE 4:1

2170394-7/9
W LIGHT PIPE SLOTS
SCALE 4:1

NOTES:

- UNLESS OTHERWISE SPECIFIED
- ① MATERIAL: ALUMINUM.
- ② FINISH: ANODIZED BLACK.
- ③ FINISH: NICKEL PLATED.
- 4. INTERPRET DRAWING PER ASME Y14.5M - 1994.
- 5. 0,2mm MAX BURR.
- 6. VARIATION IN PLATING COLOR IS NORMAL AND ALLOWED.
- 7. RoHS COMPLIANT AND CERTIFIED.



2170394-7/9
SCALE 4:1

FINISH	DESCRIPTION	PART NUMBER
③	SALE PART	2170394-9
②	SALE PART	2170394-7
③	SALE PART	2170394-4
②	SALE PART	2170394-2

THIS DRAWING IS A CONTROLLED DOCUMENT.		DWN: JASON YANG 17AUG2012	TE Connectivity	
DIMENSIONS: mm		CHK: ALEX CAI 17AUG2012		
TOLERANCES UNLESS OTHERWISE SPECIFIED:		APVD: ALEX CAI 17AUG2012		
0 PLC	±0.5	NAME: HEAT SINK, 13.5MM TALL QSPF CAGE, GANGED	RESTRICTED TO	
1 PLC	±0.5	PRODUCT SPEC: -	-	
2 PLC	±0.25	APPLICATION SPEC: -	-	
3 PLC	±	SIZE: A1	CAGE CODE: 00779	
4 PLC	±	WEIGHT: -	DRAWING NO: C=2170394	
ANGLES	±	CUSTOMER DRAWING	SCALE: 4:1 SHEET 1 OF 1 REV 1	
FINISH	-			