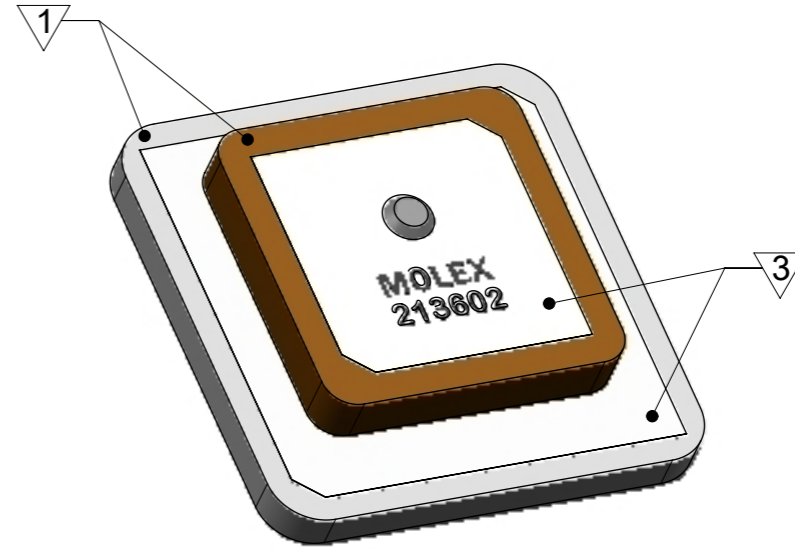
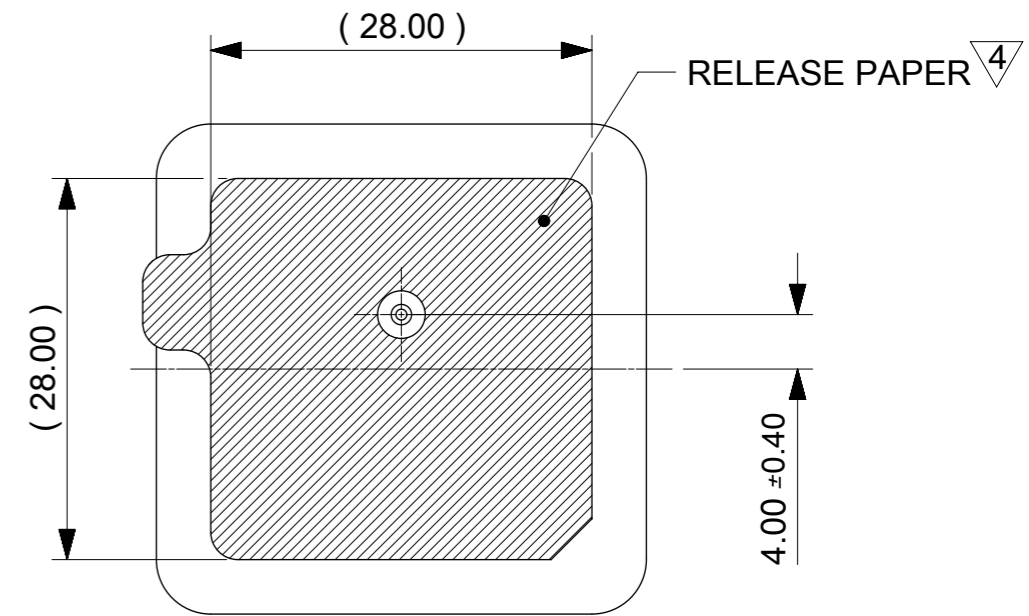
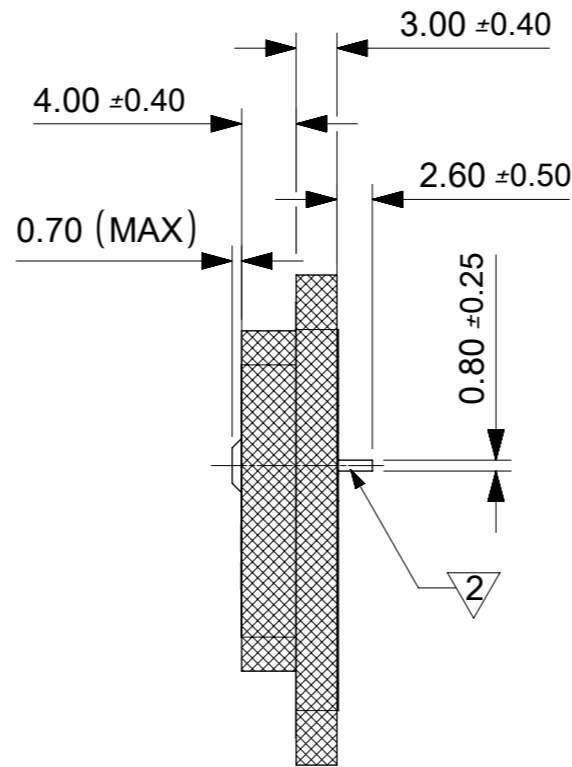
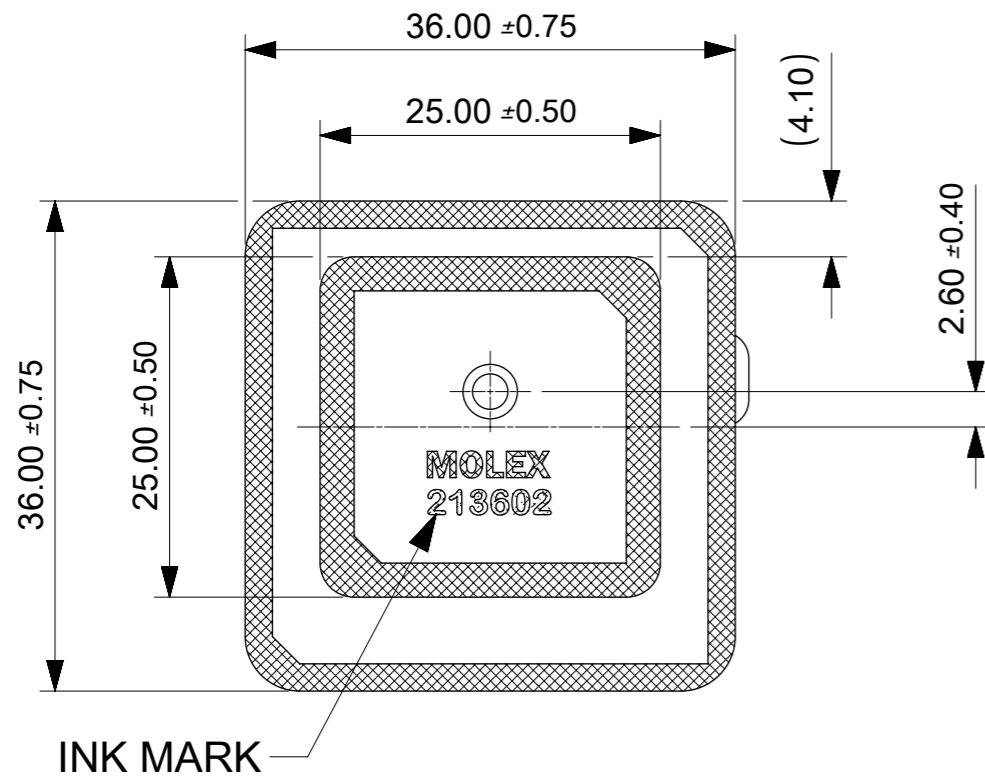


TABLE A		
No.	DESCRIPTION	STRUCTURE AND MATERIAL
1	ANTENNA SUBSTRATE	DIELECTRIC CERAMICS
2	PIN	COPPER AND TINPLATED
3	PATCH	Ag
4	ADHESIVE TYPE	NITTO 5000NS

REV.	DATE	CHANGE DESCRIPTION
A	2019/08/19	NEW RELEASE



3D VIEW



NOTES:

1. MATERIAL: CERAMIC.
2. GENERAL COSMETIC APPEARANCE AS DEFINED BY MOLEX COSMETIC SPECIFICATION.
3. STRUCTURE AND MATERIAL REFERENCE TABLE A
4. NITTO 5000NS THICKNESS :0.16mm(6.30mil)
DOES NOT INCLUDED RELEASE PAPER THICKNESS.

SYMBOLS		THIS DRAWING CONTAINS INFORMATION THAT IS PROPRIETARY TO MOLEX ELECTRONIC TECHNOLOGIES, LLC AND SHOULD NOT BE USED WITHOUT WRITTEN PERMISSION	
▽ = 0	mm	SCALE	1:1
▽ = 0	GENERAL TOLERANCES (UNLESS SPECIFIED)		
▽ = 0	ANGULAR TOL ± °		
▽ = 0	4 PLACES	CURRENT REV DESC:	
▽ = 0	3 PLACES	EC NO: 623029	
▽ = 0	2 PLACES	DRWN: KCHENG06 2019/08/19	
▽ = 0	1 PLACE	CHK'D: XJSONG 2019/08/27	
▽ = 0	0 PLACES	APPR: XJSONG 2019/08/27	
□ = 0	INITIAL REVISION:		
■ = 0	DRWN: KCHENG06 2019/08/19		
▽ = 0	APPR: XJSONG 2019/08/27		
DRAFT WHERE APPLICABLE MUST REMAIN WITHIN DIMENSIONS		THIRD ANGLE PROJECTION	DRAWING
		⊕	A3-SIZE
		SERIES	213602
		MATERIAL NUMBER	2116240001
		CUSTOMER	GENERAL MARKET
		DOCUMENT NUMBER	2136020001
		DOC TYPE	PSD
		DOC PART	000
		REVISION	A
		SHEET NUMBER	1 OF 1