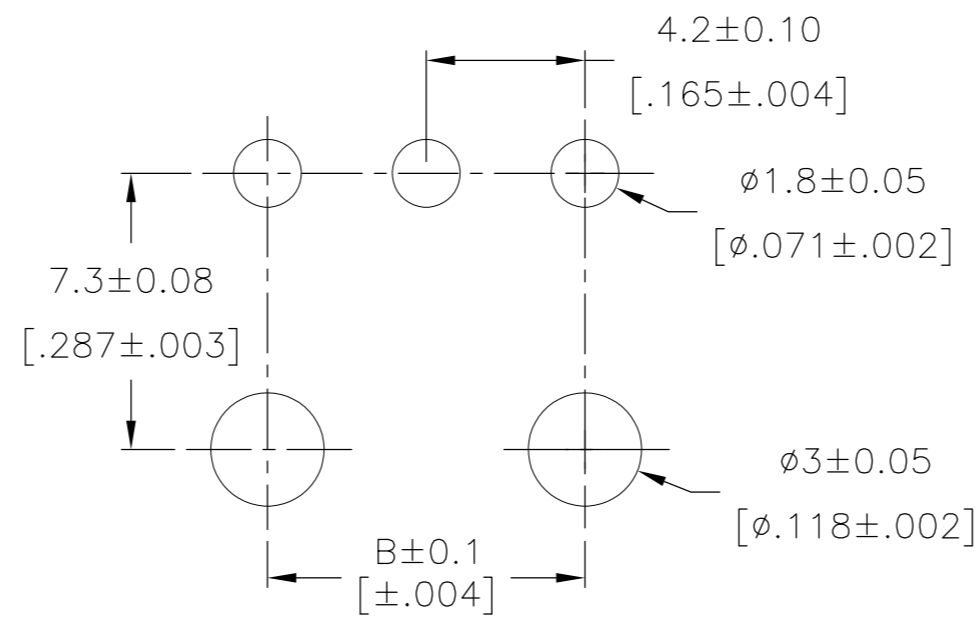
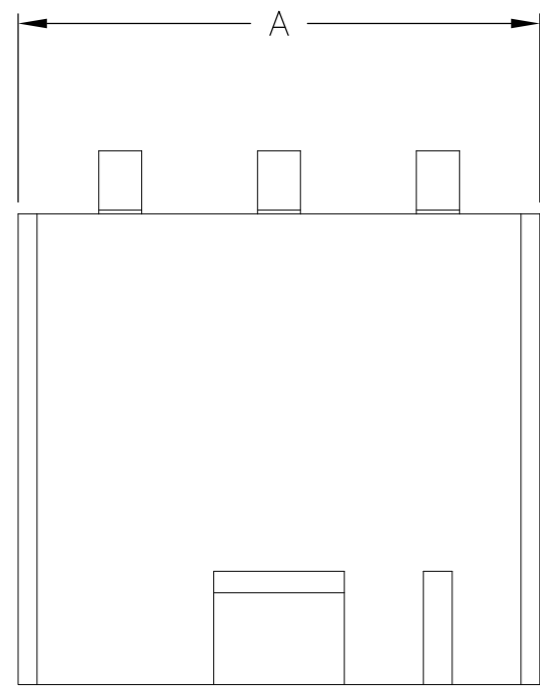


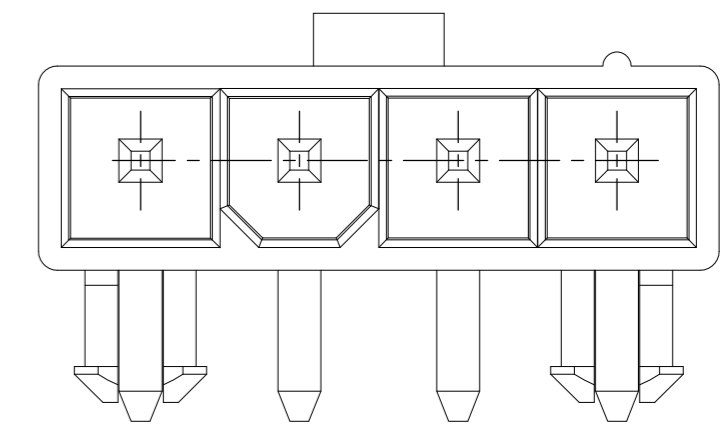
THIS DRAWING IS UNPUBLISHED. RELEASED FOR PUBLICATION  
 © COPYRIGHT BY TYCO ELECTRONICS CORPORATION. ALL RIGHTS RESERVED.

LOC	DIST	REVISIONS			
P	LTR	DESCRIPTION	DATE	DWN	APVD
CM	00	A	RELEASED	16OCT2008	KW CC

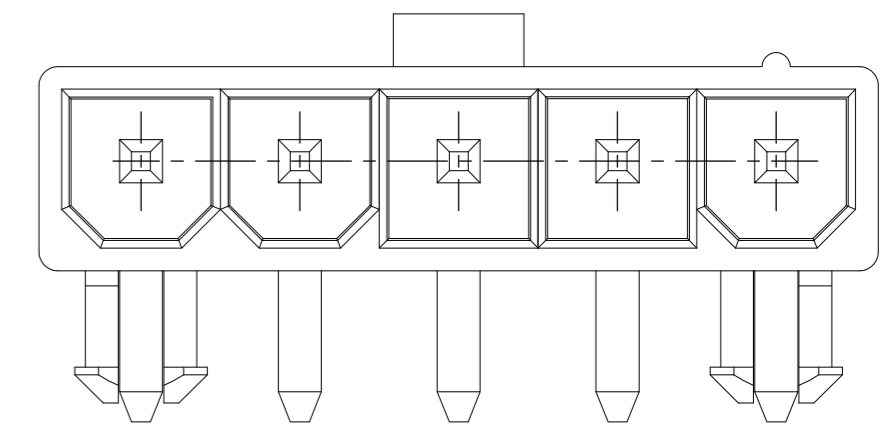


RECOMMENDED MOUNTING HOLE PATTERN FOR  
 1.78 [.070] MAX THK P.C. BOARD

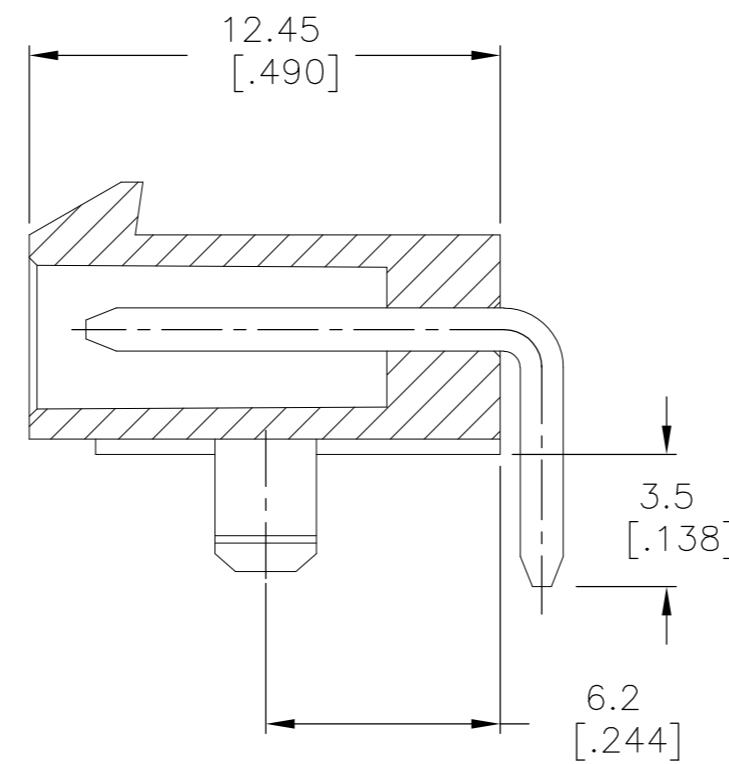
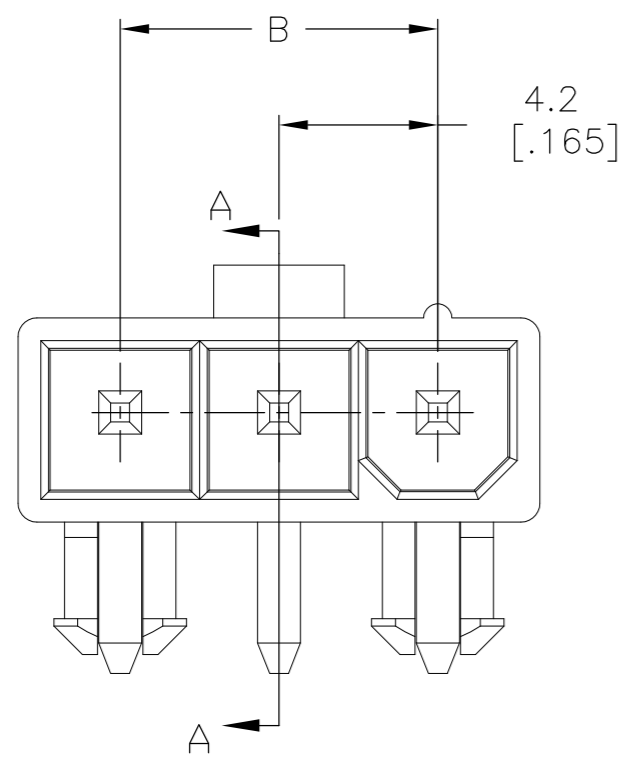
1 MATERIAL: HOUSING: NYLON, UL94V-0  
 CONTACTS: BRASS, TIN-PLATED



2029151-4 MATING FACE



2029151-5 MATING FACE



SECTION A-A

2029151-3 SHOWN

5	16.8 [.661]	22.2 [.874]	2029151-5
4	12.6 [.496]	18 [.709]	2029151-4
3	8.4 [.330]	13.8 [.543]	2029151-3
POS	B	A	PART NUMBER

METRIC

THIS DRAWING IS A CONTROLLED DOCUMENT.		DWN K. WHITAKER 14OCT2008	Tyco Electronics Corporation Harrisburg, PA 17105-3608	
DIMENSIONS: mm [INCHES]		CHK C. CASH 14OCT2008	NAME RIGHT ANGLE HEADER, WITH PEGS, 94V-0, VAL-U-LOK(TM)	
TOLERANCES UNLESS OTHERWISE SPECIFIED:		APVD C. CASH 14OCT2008	PRODUCT SPEC	
0 PLC ±		APPLICATION SPEC		
1 PLC ± 0.13 [.005]		WEIGHT		
2 PLC ± 0.13 [.005]		SCALE 5:1 SHEET 1 OF 1 REV A		
3 PLC ±		CUSTOMER DRAWING		
4 PLC ±		SIZE A2 CAGE CODE 00779 C=2029151		
ANGLES ±		RESTRICTED TO		
FINISH		-		