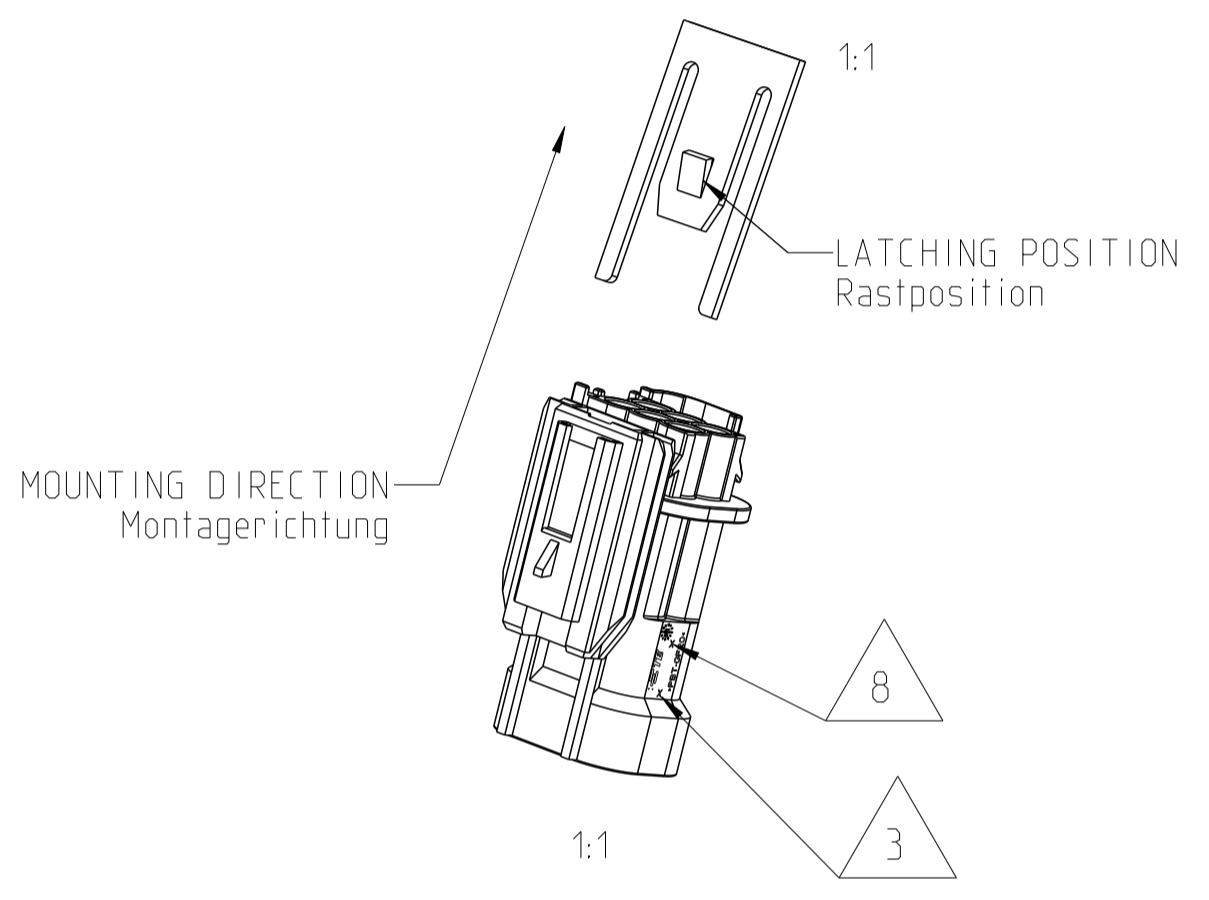
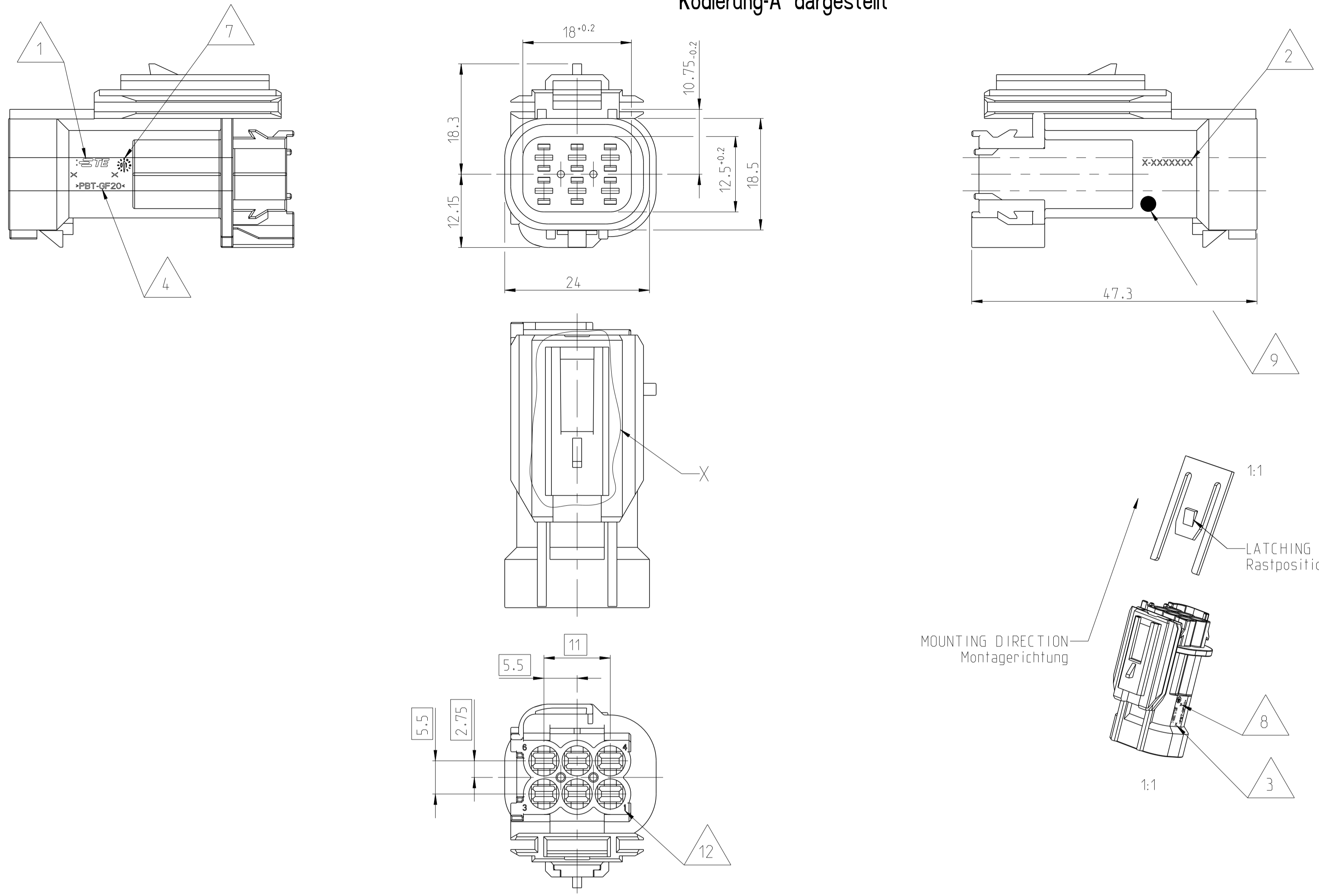
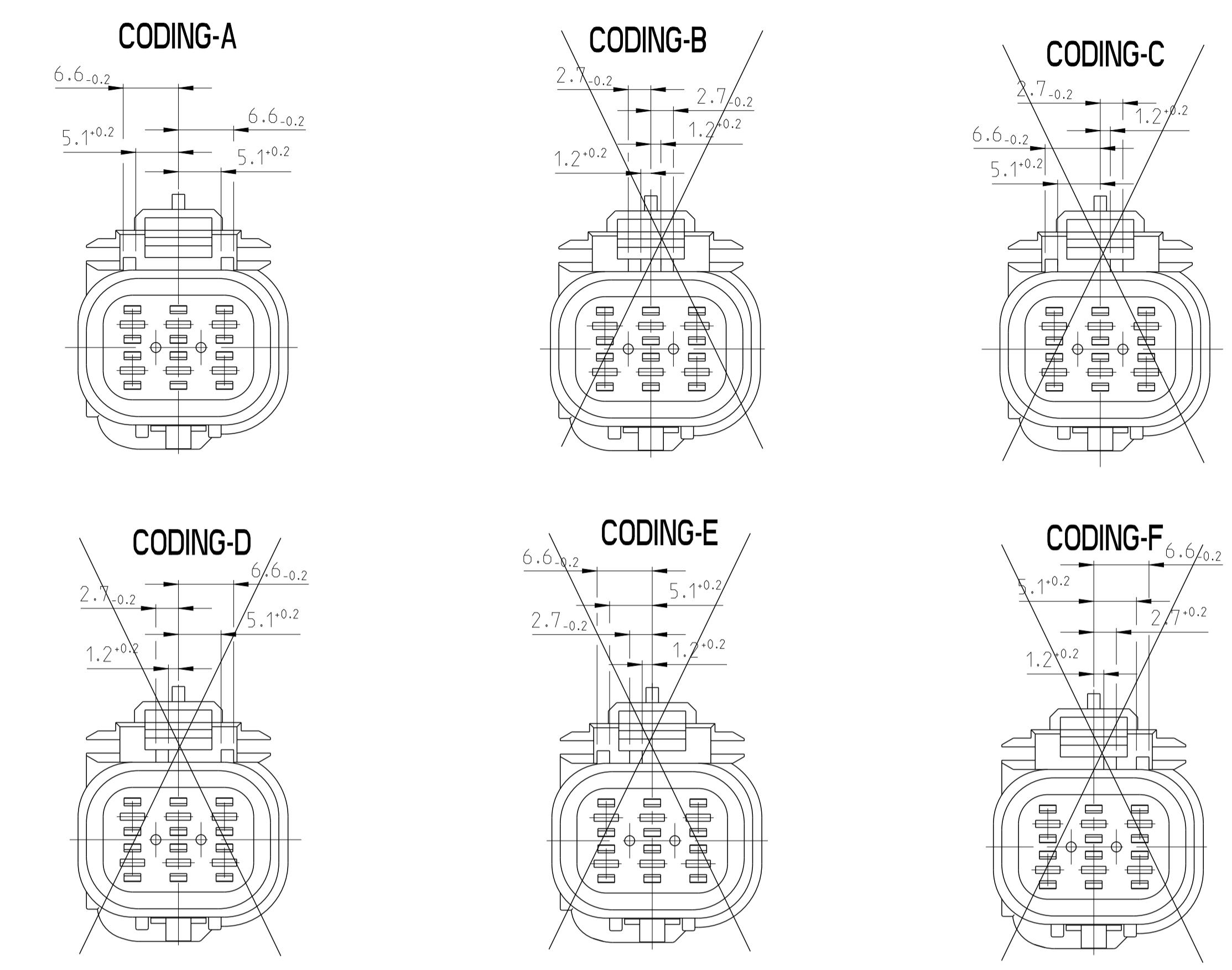


CODING-A SHOWN
Kodierung-A dargestellt



CODINGS / CAVITIES DESIGN VARIABLE FOR ALL CODINGS
Kodierungen / Steckgesicht fuer alle Kodierungen variabel

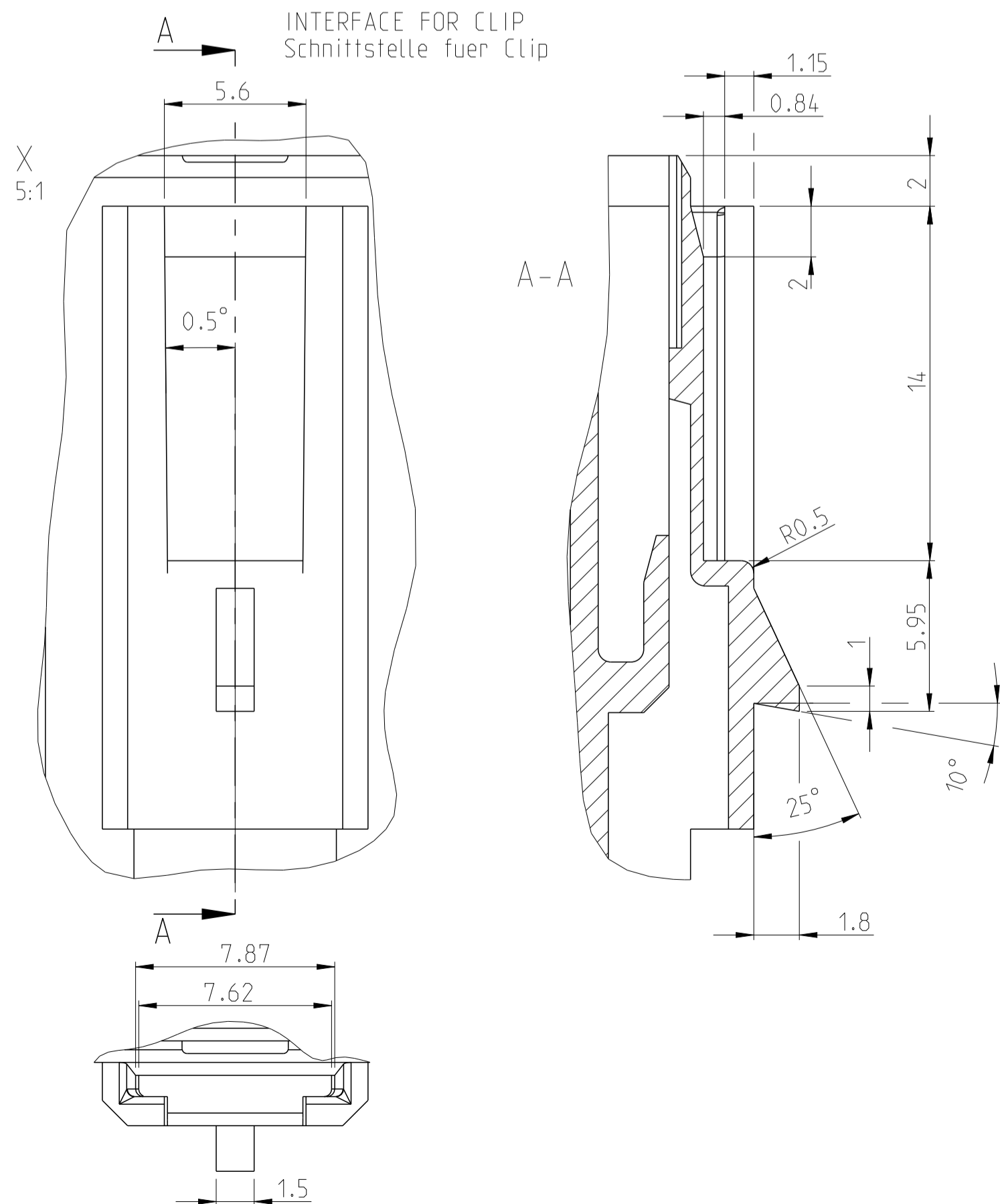
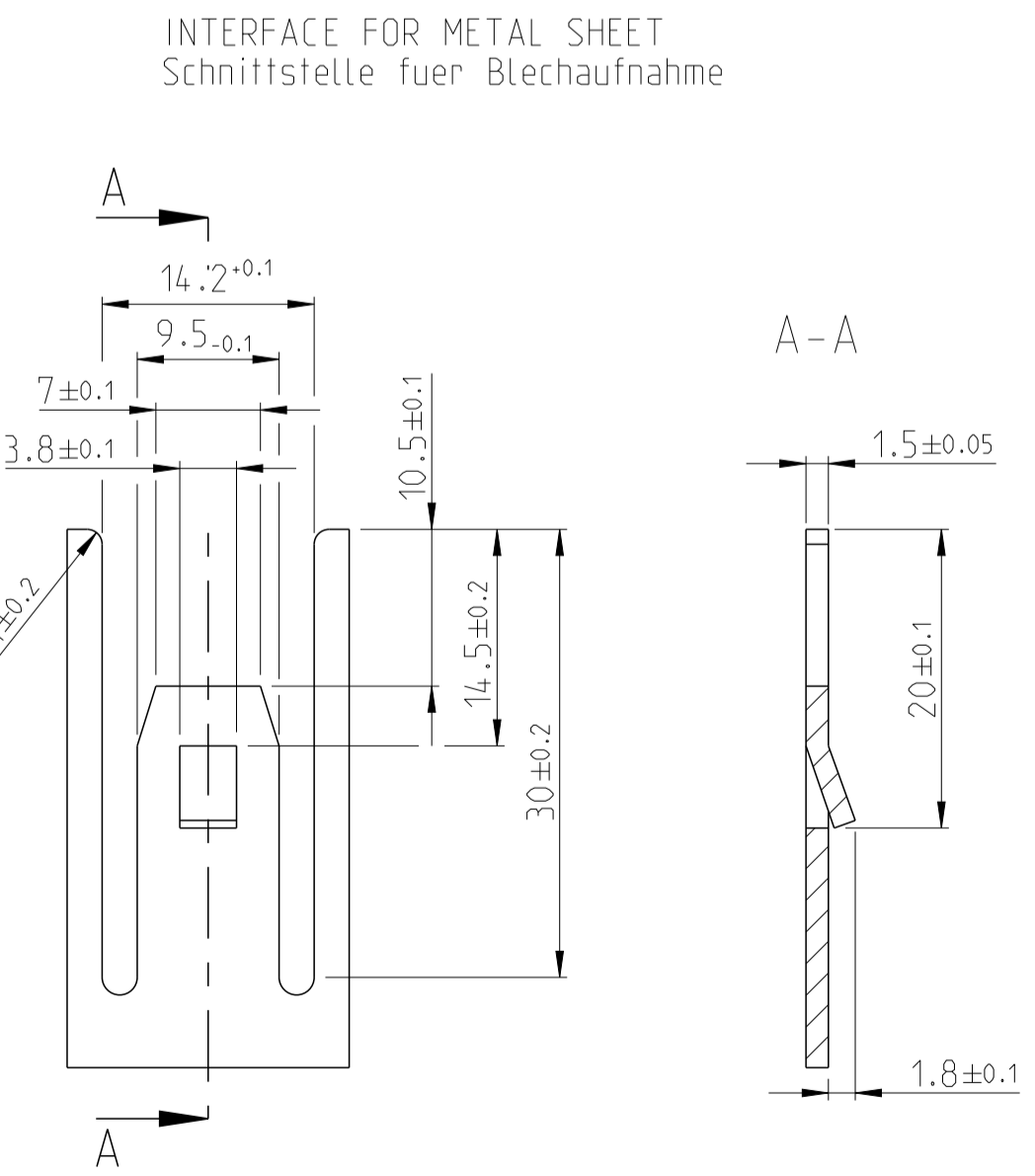


USED WITH:
 Verwenden mit:
 RETAINER
 2.Kontaktsicherung
 1452325
 1452542

2-964302-1	2-964301-1	>1.0-2.5	CuFe 2	PRETINNED	963292-1
2-964300-1	2-964299-1	0.5-1.0	CuFe 2	PRETINNED	963293-1
2-964298-1	2-964297-1	0.2-0.5	CuFe 2	PRETINNED	963294-1
TE ORDER NO	TE ORDER NO	WIRE RANGE	MATERIAL	FINISH	SINGLE WIRE
STRIP FORM	LOOSE PIECE	MM			SEAL NO

RECOMMENDED CONTACT SYSTEM: TAB 2.8 TYPE A, SEALED

- NOTES:**
BEMERKUNGEN:
- 1 TE - LOGO
TE - FIRMENKENNZEICHEN
 - 2 ORDER NUMBER
BESTELL-NUMMER
 - 3 REVISION NUMBER
WERKZEUGÄNDERUNGSINDEX
 - 4 MATERIAL MARKING
WERKSTOFFKENNZEICHUNG
 - 5 :
 - 6 :
 - 7 PRODUCTION DATE
PRODUKTIONSdatum
 - 8 CAVITY MARKING
NESTMARKIERUNG
 - 9 ATTENTION:
PRE-SERIES PART ONLY WITH CONDITIONAL RELEASE
MARKED WITH PINK DOT !
PACKAGING DEPENDS ON ORDER.
 - 10 :
 - 11 LOOSE PARTS PACKED IN CARTON
Verpackung, lose im Karton
 - 12 CAVITY IDENTIFICATION
Kammerbezeichnung
 - 13 HOUSING TO FIT THROUGH SHEETDETAIL Ø3MM!
Gehäuse passt durch Blechschnitt Ø3mm!



6	1452324-3	A	A	ALL CAVITIES OPEN (AS SHOWN) Alle Kammern offen (wie dargestellt)	10.4	TAB HOUSING 2.8MM, 6POS. Flachsteckergehaeuse 2.8mm, 6pol.	PBT-GF20	BLACK schwarz	1452327-1 1745078-1
CAVITY NUMBER	PART-NO.	COD.	REV.	REMARK Bemerkung	WEIGHT (g)	DESCRIPTION	MATERIAL	FINISH COLOUR	TE-COUNTERPART NO.
				THIS DRAWING IS A CONTROLLED DOCUMENT. DIMENSIONS: mm	TOLERANCES UNLESS OTHERWISE SPECIFIED:		DWG: Shreeshaail 24APR2013 CHK: Patruswam, T 24APR2013 NAME: Hecker, Ralf PRODUCT SPEC: 108-18793 APPLICATION SPEC: 114-18485 WEIGHT: SEE TABLE Customer Drawing		
				0 PLC ±0.5 1 PLC ±0.5 2 PLC ±0.5 3 PLC ±0.5 4 PLC ±0.5 ANGLES ±0.5°	FINISH: - SCALE: 2:1 SHEET: 1 OF 1 REV: A		STE TE Connectivity TAB-HOUSING 2.8mm, 6 POS Flachkontaktgehaeuse 2.8mm, 6pol. SIZE: CAGE CODE: DRAWING NO: 100779 ©=1452324		