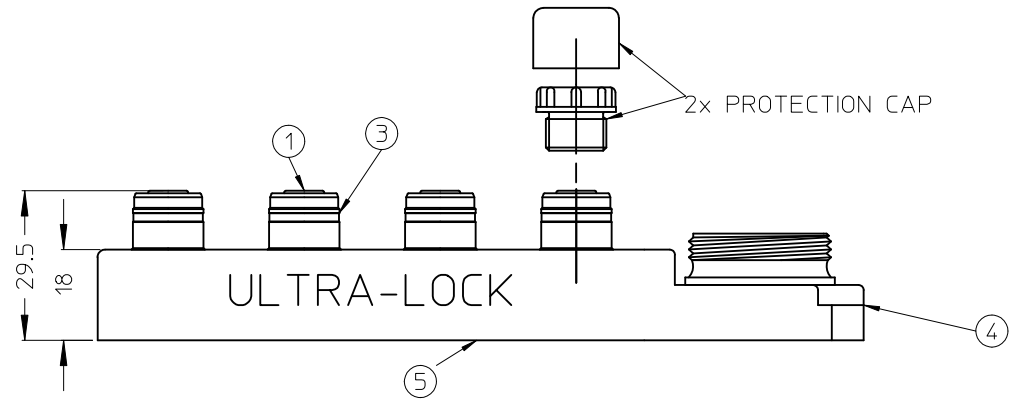
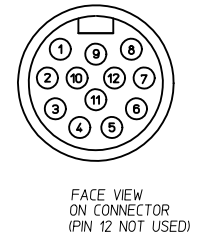
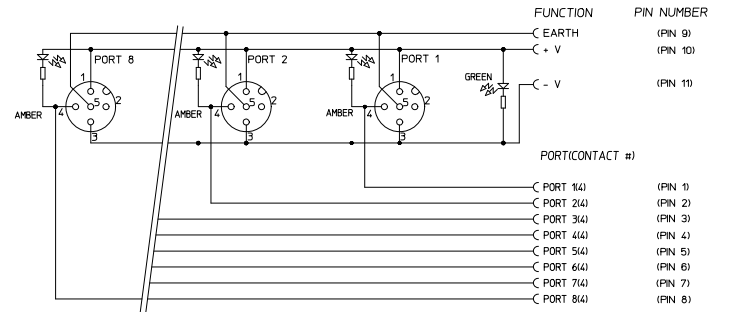
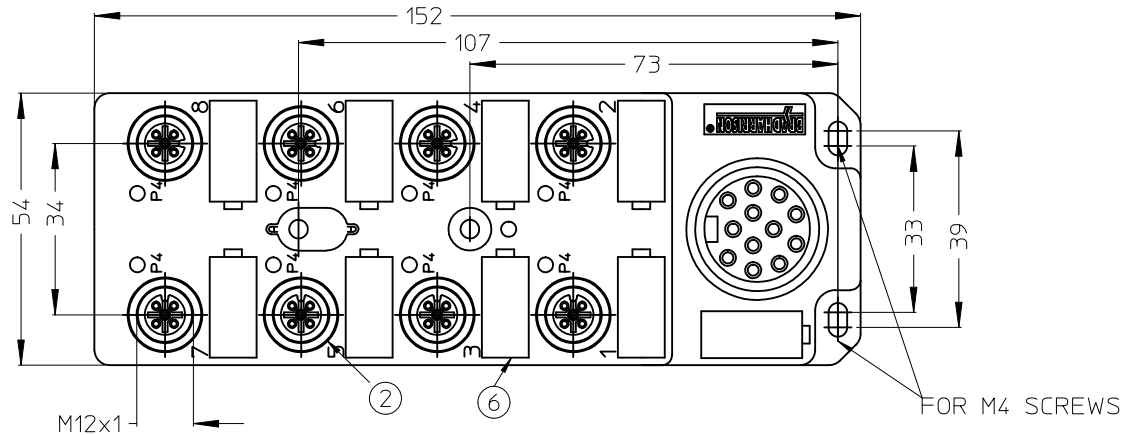


SAP-NUMBER	OLD PART NUMBER
1201190024	BKY801N-FBB



VOLTAGE RATING	10 - 30 VDC
AMPERAGE RATING PER PORT	4 A MAX/PORT 12 A MAX. TOTAL
PROTECTION	IP 68
OPERATING TEMPERATURE	-25°C / +90 °C

ITEM	COMPONENT	MATERIAL	FINISH
1	CONTAC SOCKET	BRASS	GOLD OVER NICKEL
2	O-RING	VITON	---
3	RECEPTACLE SHELL	BRASS	NICKEL PLATED
4	HOUSING	PBT	YELLOW
5	LABEL	ABS	WHITE
6	LENS	PA	CLEAR

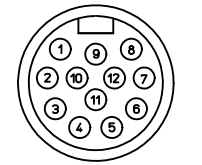
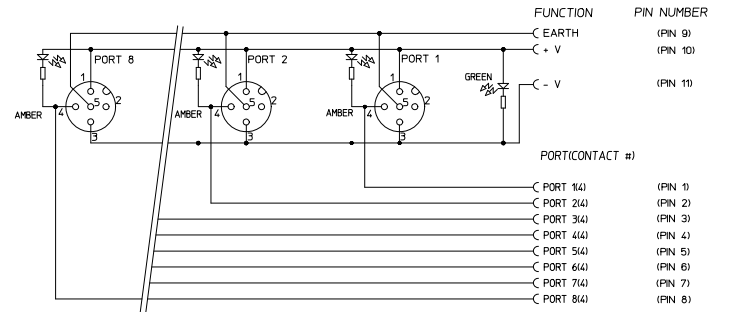
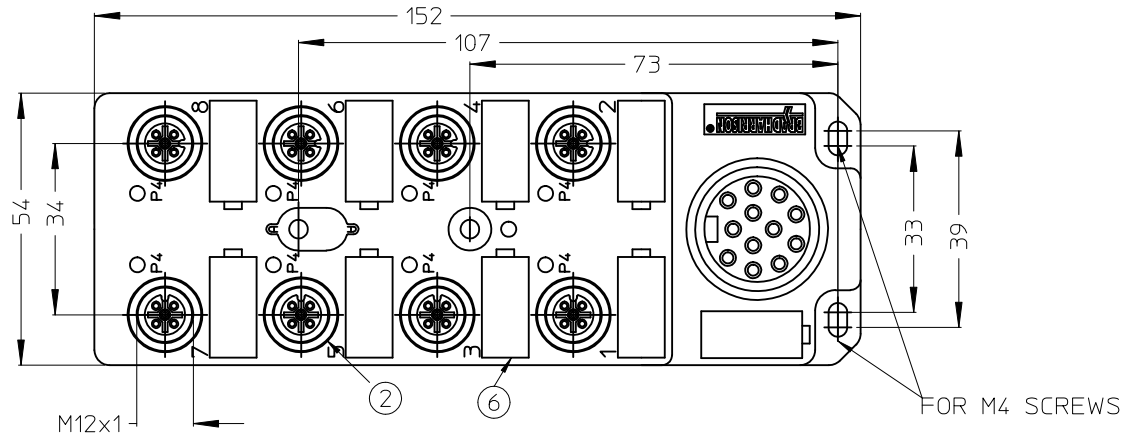
ENTER DESCRIPTION		QUALITY SYMBOLS
EC NO: WEU2010-0356	DRWN: APOHL_WEU 2010/02/11	
CHKD: REISSNER 2010/02/12	APPR: FPACHER 2010/02/24	DESCRIPTION
1		REVISION

GENERAL TOLERANCES (UNLESS SPECIFIED)	
	mm INCH
4 PLACES	± --- ± ---
3 PLACES	± --- ± ---
2 PLACES	± --- ± ---
1 PLACE	± 0.3 ± ---
ANGULAR ± ---°	
DRAFT WHERE APPLICABLE MUST REMAIN WITHIN DIMENSIONS	

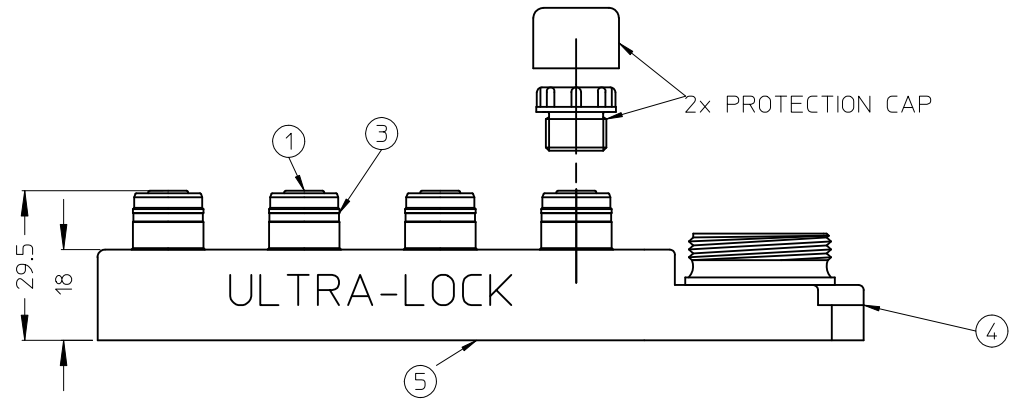
DIMENSION STYLE	
MM ONLY	
DRAWN BY	DATE
APOHL_WEU	2010/02/11
CHECKED BY	DATE
REISSNER	2010/02/11
APPROVED BY	DATE
FPACHER	2010/02/23
MATERIAL NO.	
SEE TABLE	
SIZE	
A3	

SCALE	DESIGN UNITS	THIRD ANGLE PROJECTION	
1:1	METRIC		
TITLE			
M12UL MPIS BOX 8 PORT I/O 12 P MINI			
MOLEX INCORPORATED			
DOCUMENT NO.		SHEET NO.	
SD-120119-029		1 OF 1	
THIS DRAWING CONTAINS INFORMATION THAT IS PROPRIETARY TO MOLEX INCORPORATED AND SHOULD NOT BE USED WITHOUT WRITTEN PERMISSION			

SAP-NUMBER	OLD PART NUMBER
1201190024	BKY801N-FBB



FACE VIEW ON CONNECTOR (PIN 12 NOT USED)



VOLTAGE RATING	10 - 30 VDC
AMPERAGE RATING PER PORT	4 A MAX./PORT 12 A MAX. TOTAL
PROTECTION	IP 68
OPERATING TEMPERATURE	-25°C / +90 °C

ITEM	COMPONENT	MATERIAL	FINISH
1	CONTAC SOCKET	BRASS	GOLD OVER NICKEL
2	O-RING	VITON	---
3	RECEPTACLE SHELL	BRASS	NICKEL PLATED
4	HOUSING	PBT	YELLOW
5	LABEL	ABS	WHITE
6	LENS	PA	CLEAR

ENTER DESCRIPTION EC NO: WEU2010-0356 DRWN: APOHL_WEU 2010/02/11 CHKD: REISSNER 2010/02/12 APPR: FPACHER 2010/02/24	QUALITY SYMBOLS	GENERAL TOLERANCES (UNLESS SPECIFIED)	DIMENSION STYLE	SCALE	DESIGN UNITS	THIRD ANGLE PROJECTION
	▽=0	mm INCH	MM ONLY	1:1	METRIC	⊙ □
	∇=0	4 PLACES ± --- ± ---	DRAWN BY DATE	TITLE		
		3 PLACES ± --- ± ---	APOHL_WEU 2010/02/11	M12UL MPIS BOX 8 PORT I/O 12 P MINI		

2 PLACES ± --- ± ---	CHECKED BY DATE	MATERIAL NO.		DOCUMENT NO.	SHEET NO.
1 PLACE ± 0.3 ± ---	REISSNER 2010/02/11	FPACHER 2010/02/23		SD-120119-029	1 OF 1
ANGULAR ± ---°	APPROVED BY DATE	SEE TABLE			
DRAFT WHERE APPLICABLE MUST REMAIN WITHIN DIMENSIONS	FPACHER 2010/02/23	THIS DRAWING CONTAINS INFORMATION THAT IS PROPRIETARY TO MOLEX INCORPORATED AND SHOULD NOT BE USED WITHOUT WRITTEN PERMISSION			

SIZE	THIS DRAWING CONTAINS INFORMATION THAT IS PROPRIETARY TO MOLEX INCORPORATED AND SHOULD NOT BE USED WITHOUT WRITTEN PERMISSION				
A3					