

NOTES :

1 - MATERIAL :

- HOUSING : POLYESTER 30% GLASS FILLED, UL94 V-0.
- COLOUR: LIGHT GREY (092-0000-068 OF DEC-STD-092).
- TERMINAL: PHOSPHOR BRONZE.
- POST PLATE (0.00127)/.000050 MIN. GOLD IN CONTACT AREA, (0.00500 TO 0.00200)/.000200 TO .000080 TIN ONLY IN TAIL AREA, BOTH OVER (0.00127)/.000050 MIN. NICKEL OVERALL.

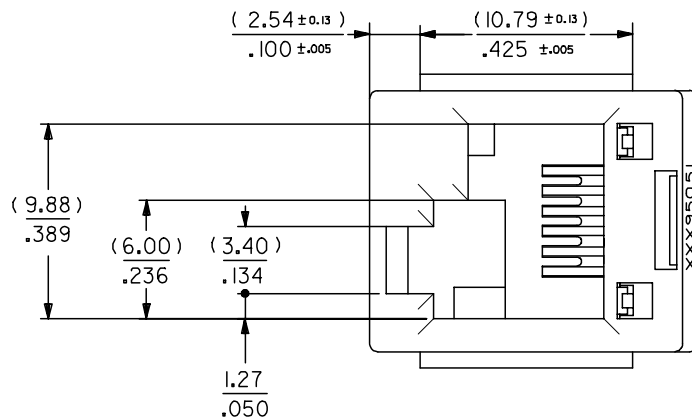
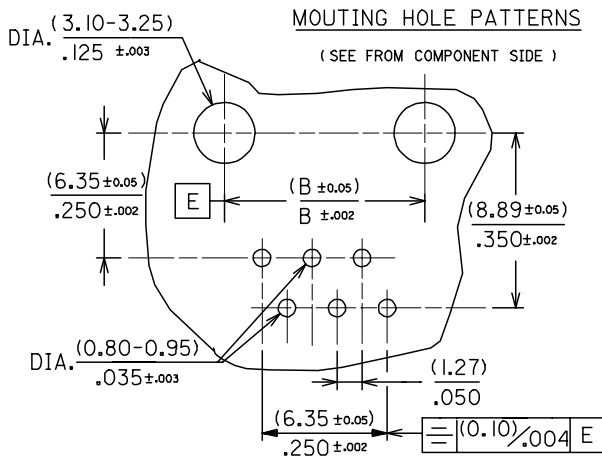
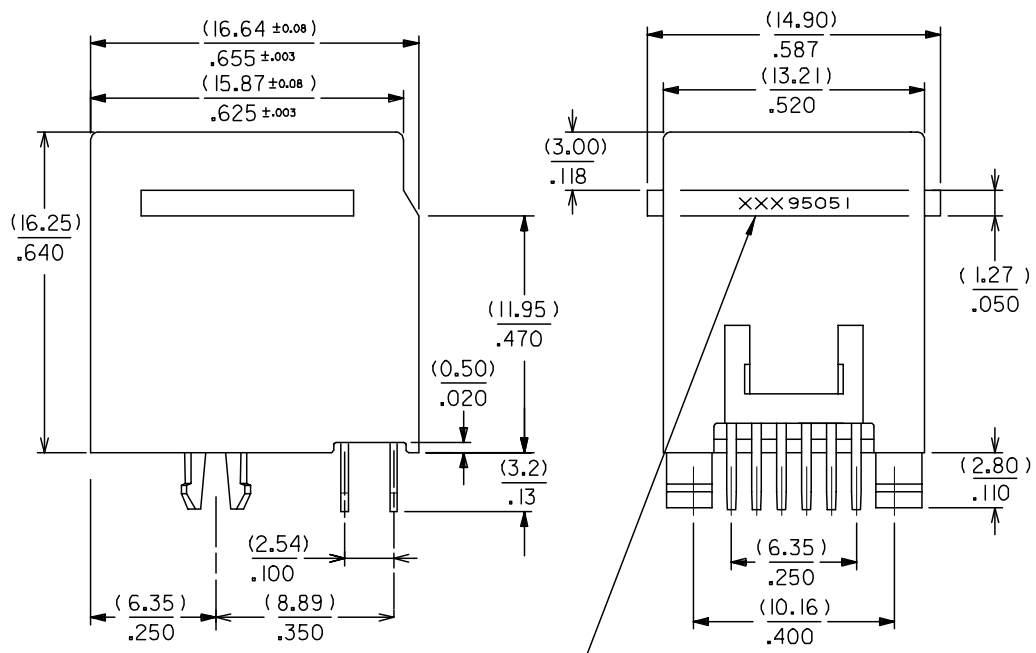
2 - PRINTED CIRCUIT BOARD THICKNESS: (1.57)/.062.

3 - FOR USE WITH THE UNCENTERED LATCH PLUG.

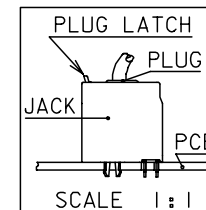
4 - PRODUCT SPECIFICATION : DIGITAL SPECIFICATION PS-95022

5 - LOGO MAY BE MXF, MG OR MXI

6 - PACKAGING SPECIFICATION :PK-95051-001



SEE NOTE 5



Change note & rename EC NO: E2006-0964 DRWN: PGRADY CHKD: APPR: EOMAHONY 2006/04/18 2006/04/18 2006/04/20	QUALITY SYMBOLS ▽=0 ▽=0	GENERAL TOLERANCES (UNLESS SPECIFIED) <table border="1"> <thead> <tr> <th></th> <th>mm</th> <th>INCH</th> </tr> </thead> <tbody> <tr> <td>4 PLACES</td> <td>± ---</td> <td>± .010</td> </tr> <tr> <td>3 PLACES</td> <td>± ---</td> <td>± .014</td> </tr> <tr> <td>2 PLACES</td> <td>± 0.25</td> <td>± ---</td> </tr> <tr> <td>1 PLACE</td> <td>± 0.35</td> <td>± ---</td> </tr> </tbody> </table>		mm	INCH	4 PLACES	± ---	± .010	3 PLACES	± ---	± .014	2 PLACES	± 0.25	± ---	1 PLACE	± 0.35	± ---	DIMENSION STYLE MM/IN	SCALE 4:1	DESIGN UNITS METRIC	THIRD ANGLE PROJECTION
		mm	INCH																		
	4 PLACES	± ---	± .010																		
	3 PLACES	± ---	± .014																		
2 PLACES	± 0.25	± ---																			
1 PLACE	± 0.35	± ---																			
DESCRIPTION HIGH PROFILE TOP ENTRY JACK	DRAWN BY PD	DATE 89/06/12	TITLE HIGH PROFILE TOP ENTRY JACK	MOLEX INCORPORATED																	
MATERIAL NO. 95051-2667	DOCUMENT NO. SD-95051-001	SHEET NO. 1 OF 1	DRAFT WHERE APPLICABLE MUST REMAIN WITHIN DIMENSIONS																		
THIS DRAWING CONTAINS INFORMATION THAT IS PROPRIETARY TO MOLEX INCORPORATED AND SHOULD NOT BE USED WITHOUT WRITTEN PERMISSION																					

PART NO. 95051 - 2667
 DWG. NO. SDA - 95051 F

NOTES :

1 - MATERIAL :

-HOUSING : POLYESTER 30% GLASS FILLED, UL94 V-0.
 COLOUR: LIGHT GREY (092-0000-068 OF DEC-STD-092).
 -TERMINAL: PHOSPHOR BRONZE.
 POST PLATE (0.00127)/.000050 MIN. GOLD IN CONTACT
 AREA, (0.00500 TO 0.00200)/.000200 TO .000080
 (90/10) TIN/LEAD IN TAIL AREA, BOTH OVER
 (0.00127)/.000050 MIN. NICKEL OVERALL.

2 - PRINTED CIRCUIT BOARD THICKNESS: (1.57)/.062.

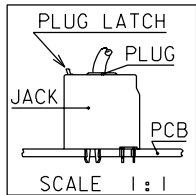
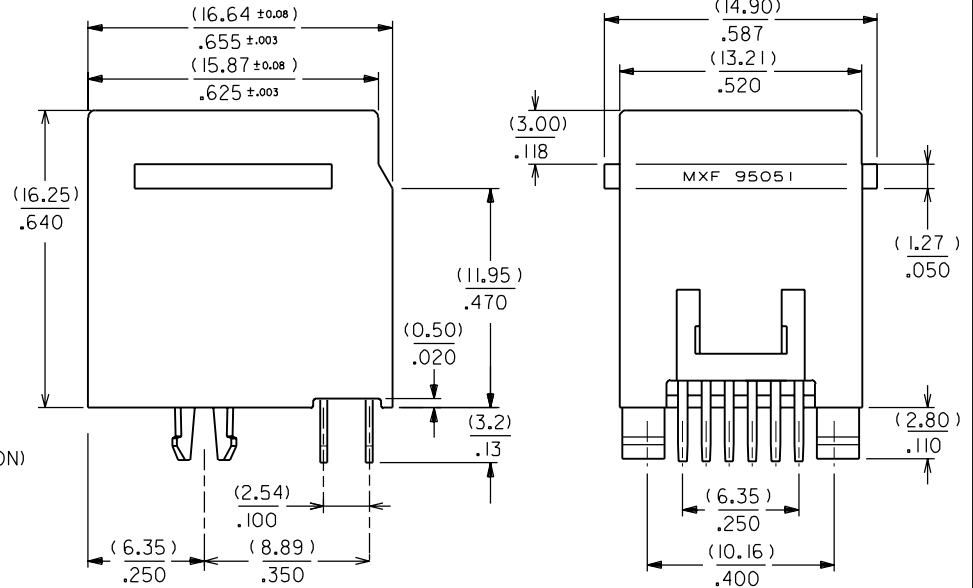
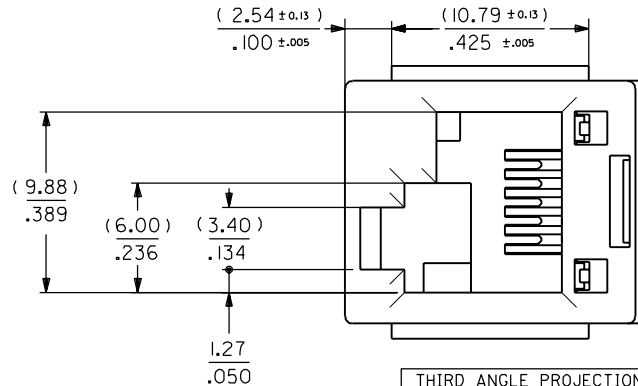
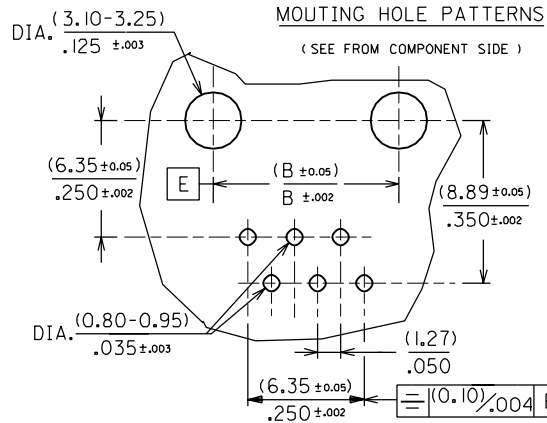
3 - FOR USE WITH THE UNCENTERED LATCH PLUG.

4 - PRODUCT SPECIFICATION : DIGITAL SPECIFICATION

PS 12- 23433-01

5 - APPLICATION SPECIFICATION : AS-95022 (THROUGH HOLE VERSION)

6 - PACKAGING SPECIFICATION : PK-95022



ECN F10177 CP 9/1/12/02	ECN F10156 NR . 9/10/11/16	ECN F 00083 RN 90/11/19	ECN F 00062 MA 90/06/27	ECN F00030 C.B. 90/01/04	ECN F90026 C.B. 89/11/02	ECN F90021 DP 89/10/04	ECN F90016 DP 89/08/16	ECN F90013 DP 89/06/12
E	D	C	B	A	4	3	2	1

THIRD ANGLE PROJECTION

UNLESS OTHERWISE SPECIFIED
 TOLERANCES: ANGULAR ± 1°

INCH	(METRIC)
3 PLACE ± .010	
2 PLACE ± .014	± 0.25
1 PLACE	± 0.35

DRAFT WHERE APPLICABLE MUST
 REMAIN WITHIN DIMENSIONS

DESIGN DIMENSION (MM)
 (PRIMARY) IN.

EQUIVALENT DIMENSION (MM)
 (SECONDARY) IN.

DRW BY PD
 CHK'D BY CB
 APP'D BY
 SCALE 4:1

REVISE ONLY ON CAD SYSTEM

CAD/DEM FILENAME
 S95051X1
 DGN

TITLE
 HIGH PROFILE
 TOP ENTRY JACK
 FOR DEC

SHEET NO. DATE
 1 OF 1 89/06/12

MOLEX MOLEX FRANCE

PART NO. 95051 - 2667 DWG NO. SDA - 95051 F

SIZE B