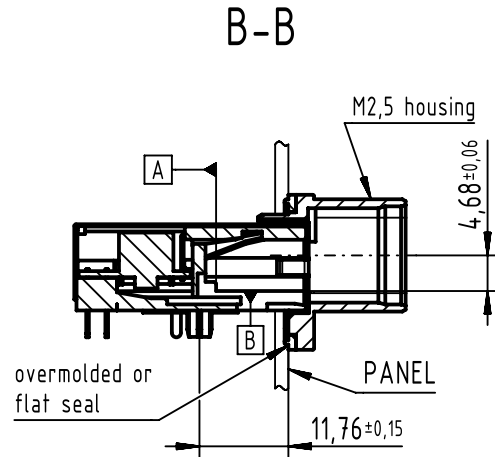
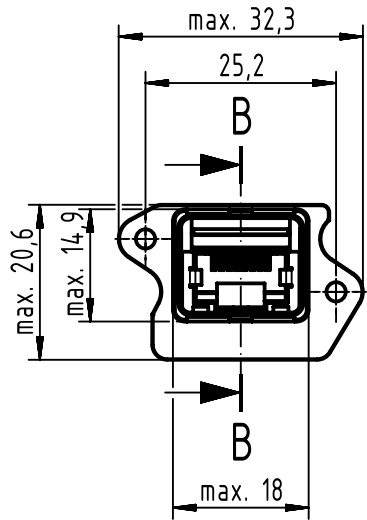


MOUNTING INSTRUCTIONS FOR HARTING PUSHPULL
COMPACT RECEPTACLE HOUSING

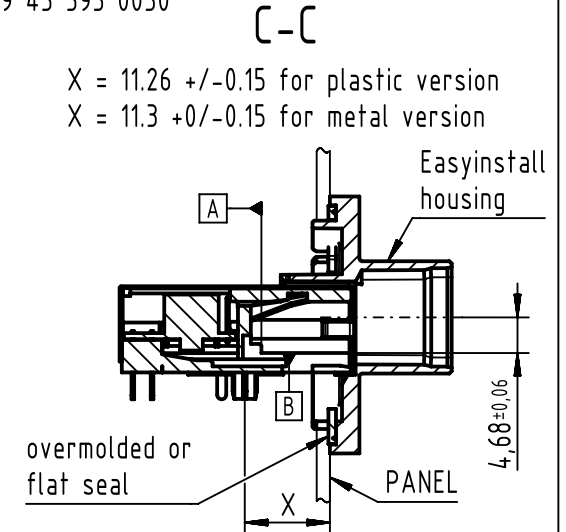
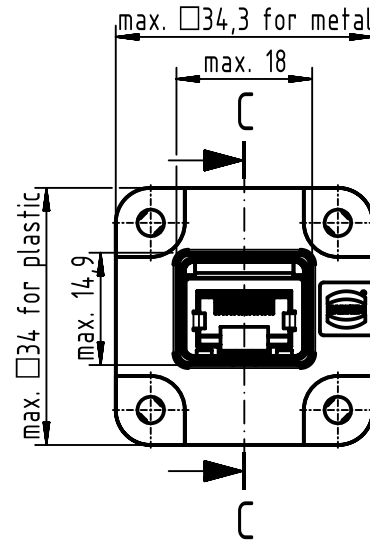
PN: 09 45 545 0023
PN: 09 45 545 0033



Receptacle mating side according to
IEC 61076-3-106 variant 4

MOUNTING INSTRUCTIONS FOR HARTING PUSHPULL
EASYINSTALL RECEPTACLE HOUSINGS

PN: 09 45 545 0030
PN: 09 45 595 0030

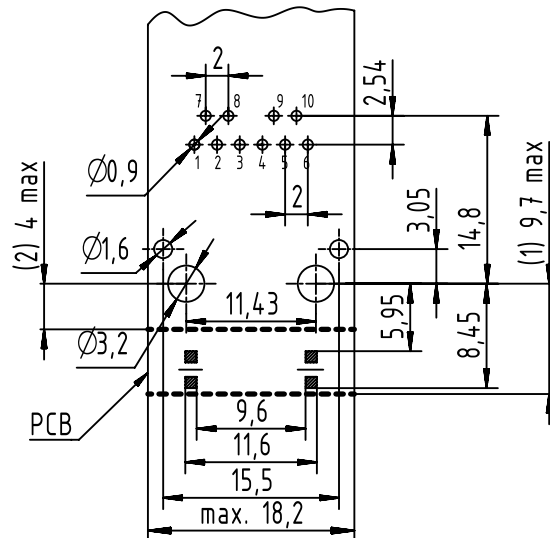


X = 11.26 +/-0.15 for plastic version
X = 11.3 +/-0.15 for metal version

Receptacle mating side according to
IEC 61076-3-106 variant 4

PCB board Layout

PCB thickness: 1.6mm +/-0.1

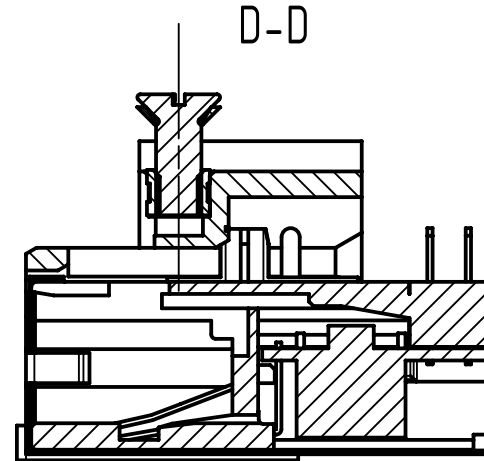
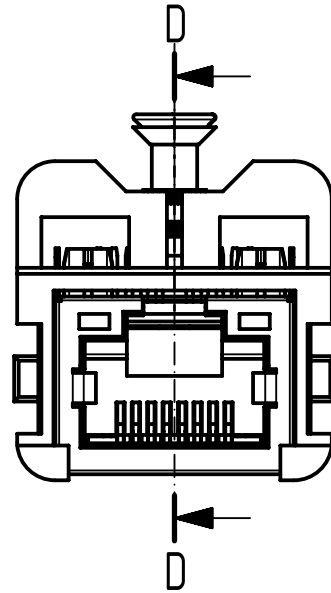


(1) maxi PCB front side position if SMD LED used
If LED used, maxi panel thickness for Pushpull compact
receptacle housing, is 1.5mm

(2) maxi PCB front side position if SMD led NOT used

	All Dimensions in mm Original Size DIN A4		Scale 1:1	Free size tol.		Ref.
	All rights reserved		Created by POPESCUD	Inspected by AVRAM	Standardisation KOHLER	Sub.
Department EC PD - RO		Title RJ45 jack 10/100 Mbit PoE angl. LV		Date 2017-04-13	State Final Release	
HARTING Electronics GmbH D-32339 Espelkamp		Type TB	Number 09455511151		Doc-Key / ECM-Nr. 100656088/UGD/001/B 500000118001	Rev. B
						Page 2/4

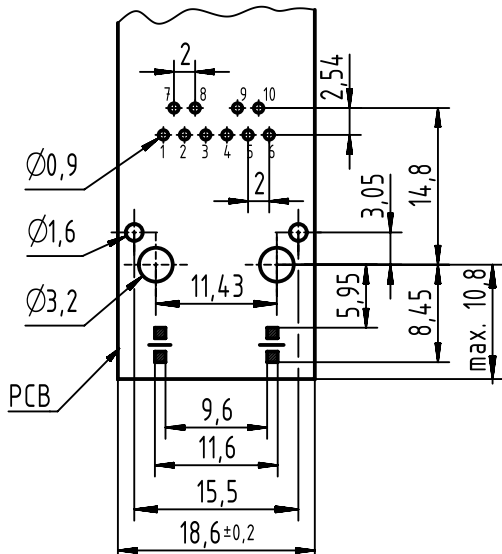
MOUNTING INSTRUCTION FOR HAN 3A RJ45 HOUSING
 WITH HAN 3A ADAPTER WITHOUT FIXING CLIPS
 09 45 515 0022



0
 (no air gap)

Receptacle mating side according to
 IEC 61076-3-106 variant 5

PCB board Layout

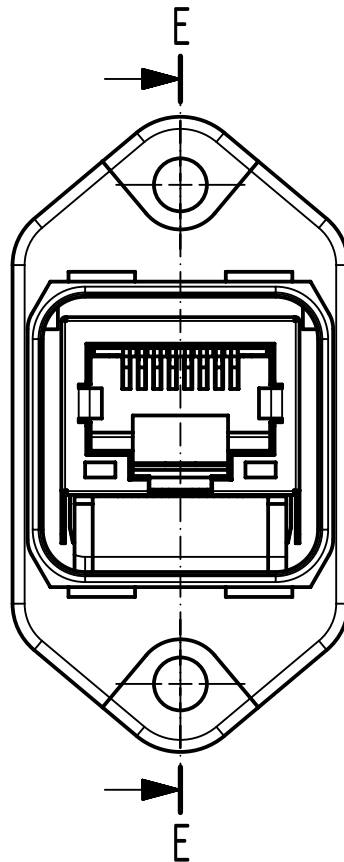


PCB thickness: 1.6mm +/-0.1

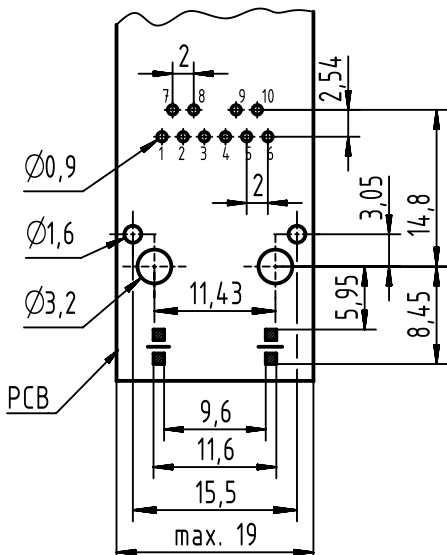
	All rights reserved Department EC PD - RO	All Dimensions in mm Original Size DIN A4			Scale 2:1	Free size tol.	Ref. Sub.
		Created by POPESCUD	Inspected by AVRAM	Standardisation KOHLER	Date 2017-04-13	State Final Release	
HARTING Electronics GmbH D-32339 Espelkamp		Title RJ45 jack 10/100 Mbit PoE angl. LV				Doc-Key / ECM-Nr. 100656088/UGD/001/B 500000118001	
		Type TB	Number 09455511151			Rev. B	Page 3/4

MOUNTING INSTRUCTION FOR HAN PUSHPULL RJ45 HOUSING
09 35 002 0301

Receptacle mating side according to
DIN EN 61076-3-117

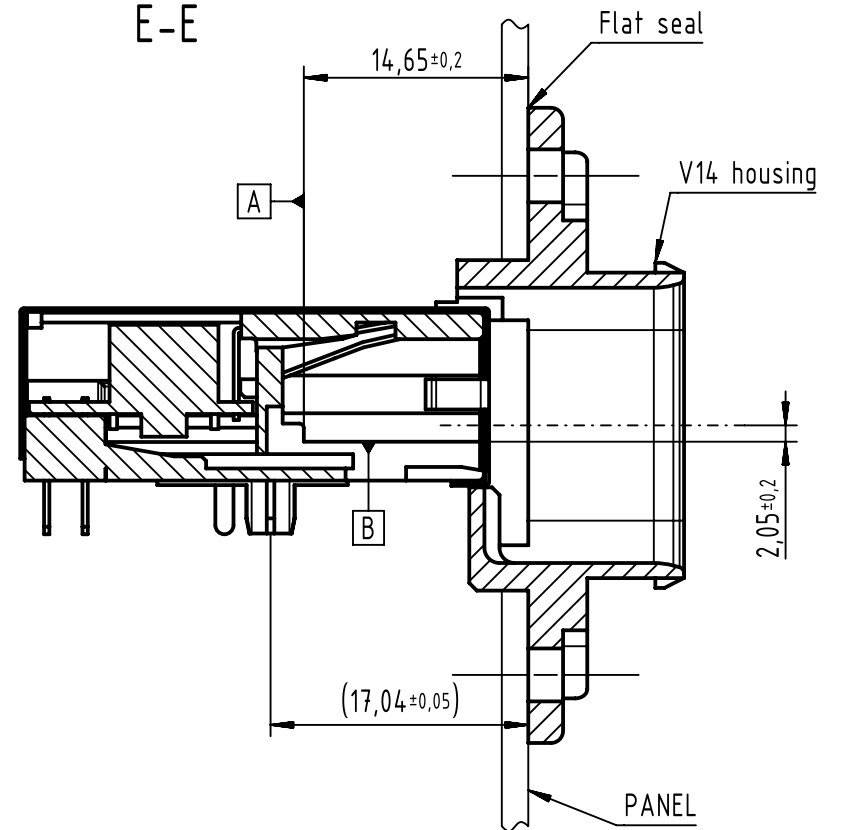


PCB board Layout



PCB thickness: 1.6mm +/-0.1

E-E



	All Dimensions in mm Original Size DIN A4		Scale 2:1	Free size tol.		Ref.
			Created by POPESCUD	Inspected by AVRAM	Standardisation KOHLER	Sub.
All rights reserved Department EC PD - RO		Date 2017-04-13	State Final Release		Doc-Key / ECM-Nr. 100656088/UGD/001/B 500000118001	
HARTING Electronics GmbH D-32339 Espelkamp		Title RJ45 jack 10/100 Mbit PoE angl. LV			Rev. B	Page 4/4
		Type TB	Number 09455511151			