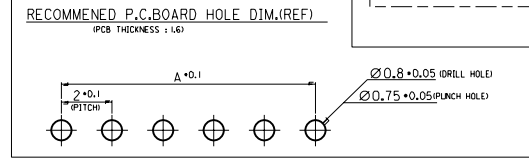
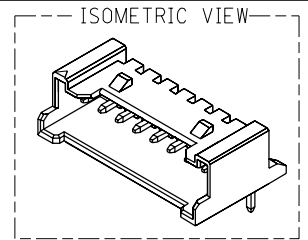
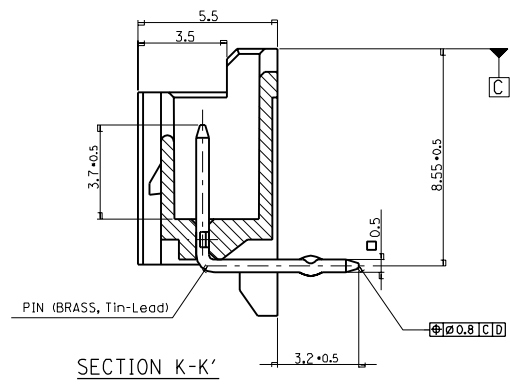
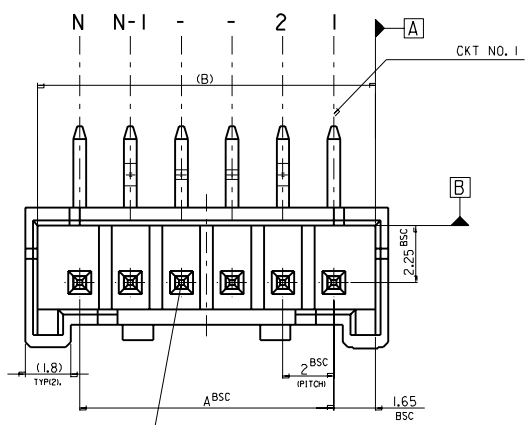


ENG. NO
SD 35363-001

EDP NO.

SIMILAR ITEM

PROJECT NO.

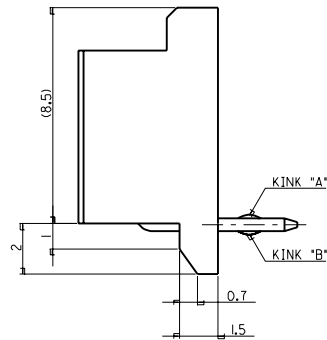
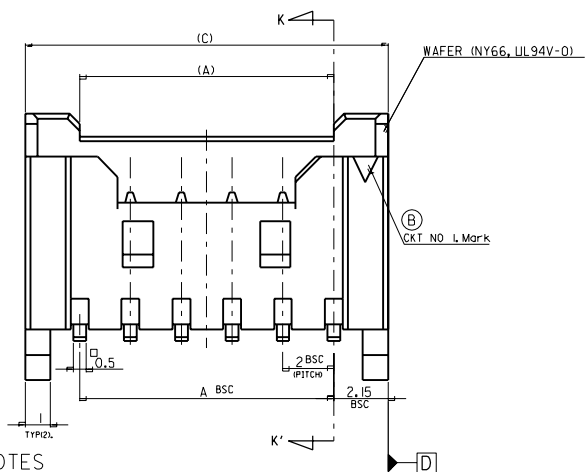


LEGEND

SD-35363-***I

CTKT NO. _____ COLOR _____

- 0 : NATURAL
- 1 : BLACK
- 2 : RED
- 3 : YELLOW
- 4 : BLUE
- 5 : GREEN



- NOTES
- MATING HOUSING : 35507-**-0*
 - MATING TERMINAL : 50212-8000
 - KINK

32.3	31.3	28	-15I*	15
30.3	29.3	26	-14I*	14
28.3	27.3	24	-13I*	13
26.3	25.3	22	-12I*	12
24.3	23.3	20	-11I*	11
22.3	21.3	18	-10I*	10
20.3	19.3	16	-09I*	9
18.3	17.3	14	-08I*	8
16.3	15.3	12	-07I*	7
14.3	13.3	10	-06I*	6
12.3	12.3	8	-05I*	5
10.3	9.3	6	35363-04I*	4
(C)	(B)	A	ENG. NO.	CTKT

CTKT NO	1	2	3	4	5	N-2	N-1	N
6 CTKT OVER	-	A	B	-	-	B	A	-
5 CTKT	A	B	-	B	A			
4 CTKT	A	B	B	A				

3. PRODUCT SPECIFICATION NO : PS-35507-001

30 over	+0.3
10 over 30 under	±0.25
10 under	±0.2
ANGLE	±3°
GENERAL TOLERANCE	

(D) Revised	KOR 1998-0126	981007
(C) Revised	KOR 1998-0062	980423
(B) Revised	KOR7-0113	970901
A NEW RELEASE	KOR7-0034	970404
LTR REVISION RECORD	ECN	DATE
REVISE ONLY ON CAD SYSTEM		

MATERIAL

moLEX MOLEX-KOREA CO.,LTD.

GENERAL TOLERANCE DIMENSION : ANGLE :

DIMENSION CLASSIFICATION : CRITICAL MAJOR REFERENCE

ASS'Y PART DESCRIPTION ENG. NO.

DRAWN BY Y.S.Kim 96.09.11

CHK'D BY J.K.Ohn

APP'D BY C.W.Lee

SCALE 1 : 1

TITLE : NEW 2.0 W/B CONN WAFER ASSY (RA)

ENG. NO. SD35363-001

SHEET 1/3

REV D

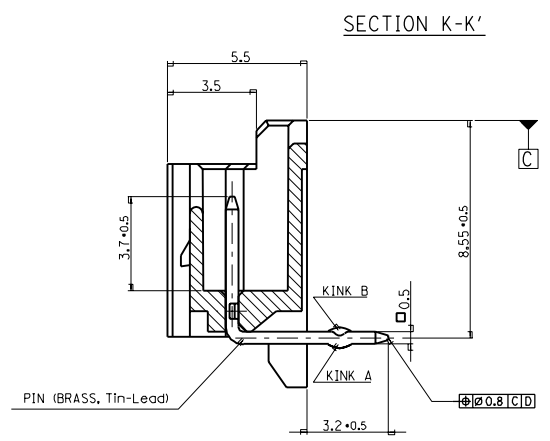
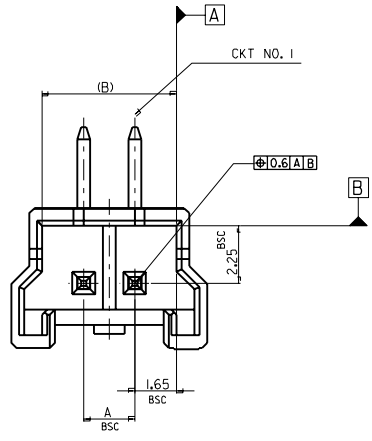
ENG. NO
SD 35363-002

EDP NO.

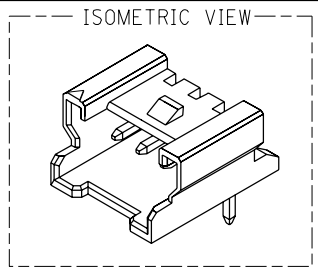
SIMILAR ITEM

PROJECT NO.

8 7 6 5 4 3 2 1



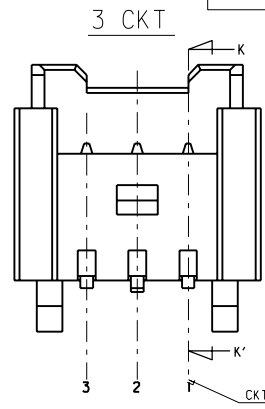
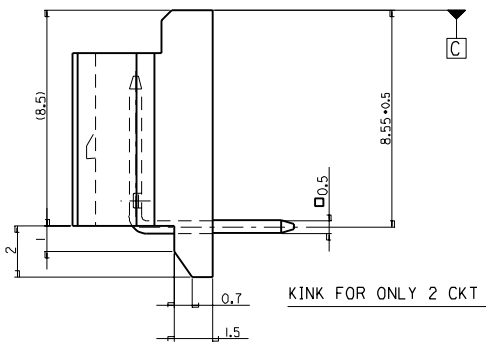
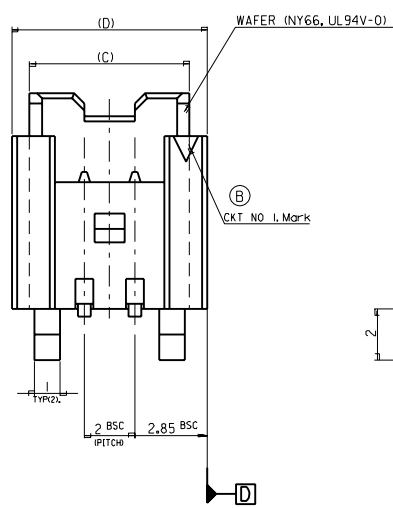
FOR 2 & 3 CKTS.



LEGEND

SD-35363-**I * COLOR

- 0 : NATURAL
- 1 : BLACK
- 2 : RED
- 3 : YELLOW
- 4 : BLUE
- 5 : GREEN



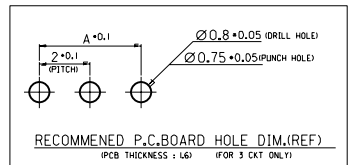
NOTES

- MATING HOUSING : 35507-**0
MATING TERMINAL : 50212-8000
- KINK

CKT NO	1	2	3
2 CKT	NONE	KINK	
3 CKT	A	B	A

3. PRODUCT SPECIFICATION NO : PS-35507-001

9.7	8.3	7.3	4	-03I*	3
7.7	6.3	5.3	2	35363-02I*	2
(D)	(C)	(B)	A	ENG. NO.	CKT



30 over	+0.3
10 over 30 under	±0.25
10 under	±0.2
ANGLE	±3°

GENERAL TOLERANCE

D	Revised	KOR 1998-0126	981007
C	Revised	KOR 1998-0062	980423
B	Revised	KOR7-0113	970901
A	Release to manufacturer	KOR7-0034	970404
LTR	REVISION RECORD	ECN	DATE

REVISION RECORD

MATERIAL	
GENERAL TOLERANCE DIMENSION : ANGLE :	
DIMENSION CLASSIFICATION	
ASS'Y PART DESCRIPTION ENG. NO.	

DRAWN BY Y.S.Kim 96.09.11		CHK'D BY J.K.Oh	
APPR'D BY C.W.Lee		SCALE 1:1	
TITLE: NEW 2.0 W/B CONN WAFER ASSY (RA)		SHEET 2/3	
ENG. NO. SD 35363-002		REV D	

THIS DRAWING CONTAINS INFORMATION THAT IS PROPRIETARY TO MOLEX(KOREA) AND SHOULD NOT BE USED WITHOUT WRITTEN PERMISSION MX-A3(ANSI:290,420)

SD35363.S02

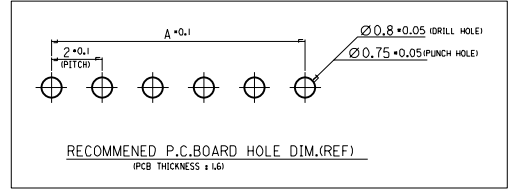
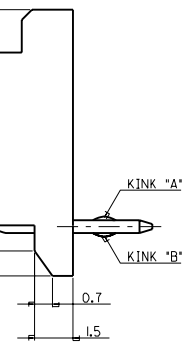
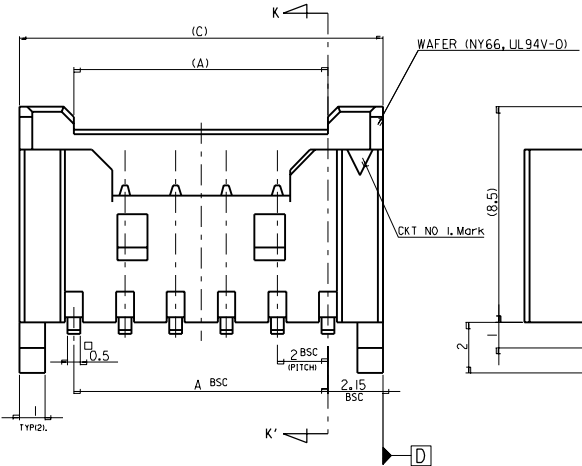
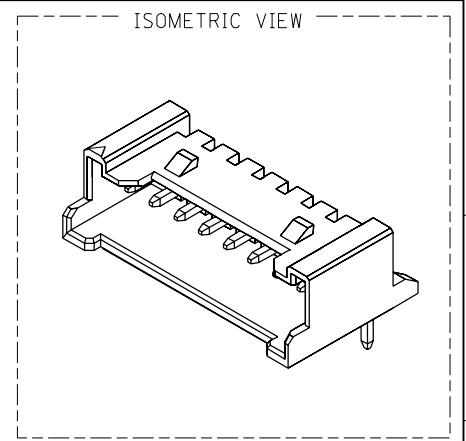
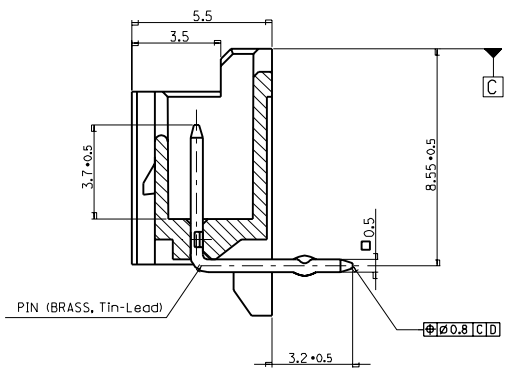
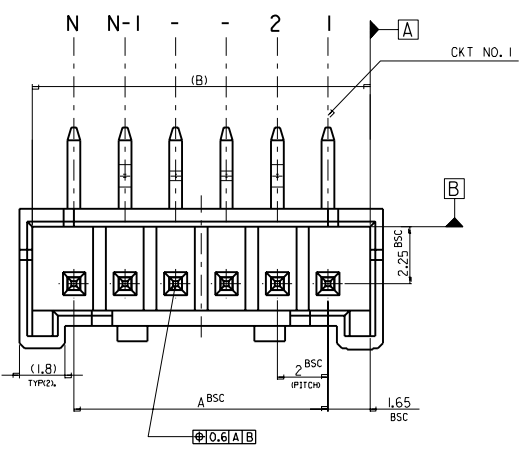
ENG. NO
SD 35363-003

EDP NO.

SIMILAR ITEM

PROJECT NO.

8 7 6 5 4 3 2 1



LEGEND

SD-35363-***I * COLOR

- 0 : NATURAL
- 1 : BLACK
- 2 : RED
- 3 : YELLOW
- 4 : BLUE
- 5 : GREEN

NOTES

- MATING HOUSING : 35507-**0*
MATING TERMINAL : 50212-8000
- KINK

CKT NO	1	2	3	4	N-3	N-2	N-1	N
CKT	-	A	B	-	-	B	A	-

3. PRODUCT SPECIFICATION NO : PS-35507-001

30 over	+0.3
10 over 30 under	±0.25
10 under	±0.2
ANGLE	±3°
GENERAL TOLERANCE	

MATERIAL				MOLEX MOLEX-KOREA CO.,LTD.	
GENERAL TOLERANCE				DRAWN BY 980423 Y.S.Kim	
DIMENSION CLASSIFICATION				CHK'D BY J.K.Oh	
ASS'Y PART				SCALE 1:1	
DESCRIPTION ENG. NO.				TITLE: NEW 2.0 W/B CONN WAFFER ASSY (RAI)-20P	
REVISE ONLY ON CAD SYSTEM				SHEET 3/3	
LTR REVISION RECORD				ENG. NO. SD 35363-003	
ECN DATE				REV B	

42.3	41.3	38	35363-20I*	20
(C)	(B)	A	ENG. NO.	CKT

THIS DRAWING CONTAINS INFORMATION THAT IS PROPRIETARY TO MOLEX(KOREA) AND SHOULD NOT BE USED WITHOUT WRITTEN PERMISSION MX-A3(ANSI:290,420)

SD35363.S03