

REVISIONS					
REV	ECO	DESCRIPTION	DATE	BY	APPR
01	-	CUSTOMER DRAWING	-	-	-
02	-	UPDATED VOLTAGE	1/4/2023	RO	DR
03	-	UPDATED AMPERAGE	5/4/2023	RO	DR

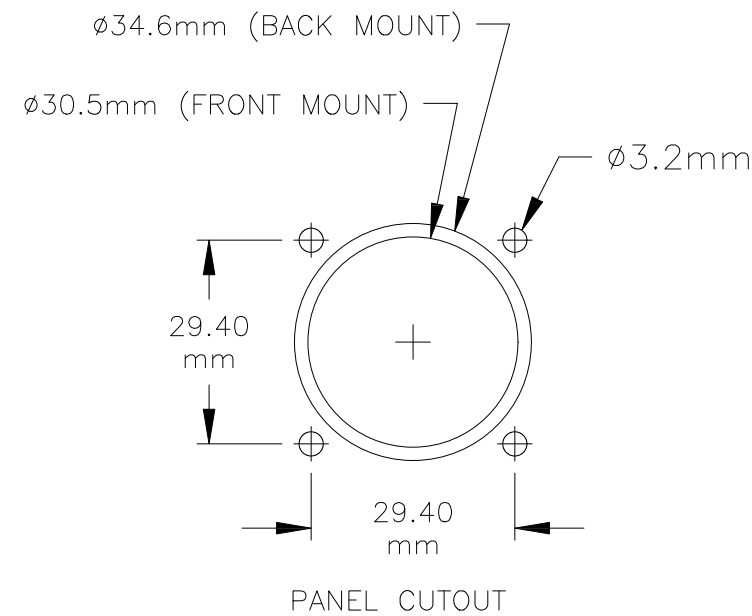
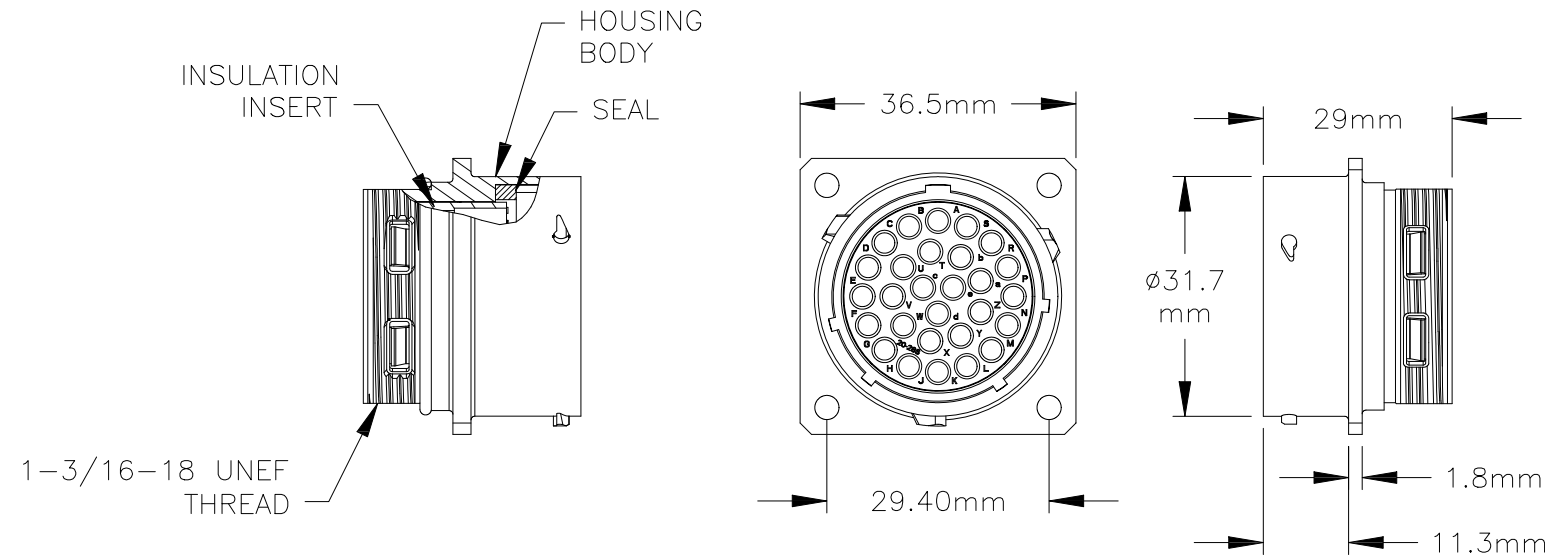
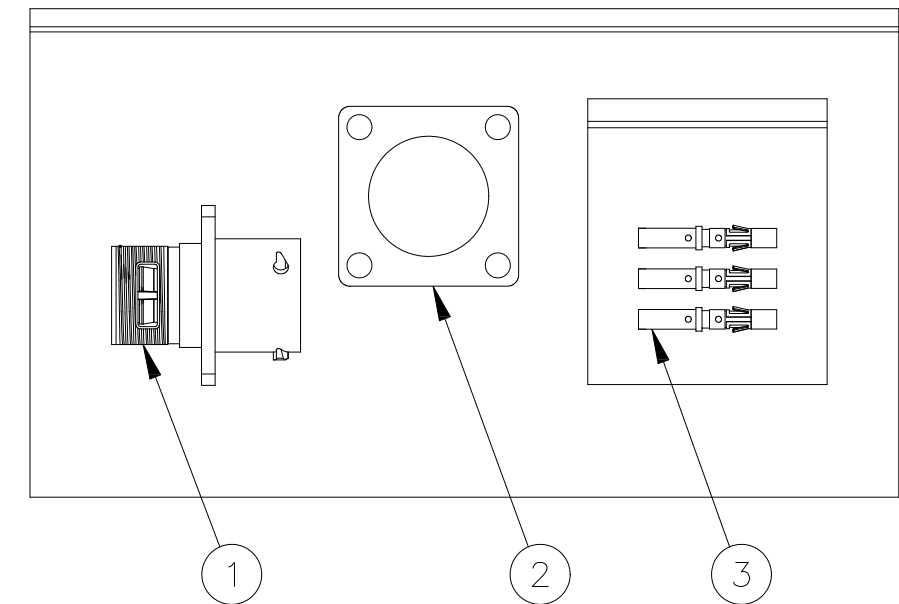


ILLUSTRATION: COMPLETE KIT



- NOTES:**
- CONTACT BARREL RANGE: 16AWG TO 18AWG
 - RECOMMENDED CRIMP TOOLS:
HAND CRIMPER: MFX-3959
PNEUMATIC CRIMPER: MFX-3960
 - EXTRACTION TOOL: QXRT16
 - MATERIALS:
HOUSING BODY: ZINC DIE CAST, NICKEL PLATED.
INSULATION INSERT: PA66, UL94/V-0.
CONTACT: BRASS, GOLD FLASH PLATED.
SEAL: SILICONE
 - ELECTRICAL DATA:
A. CURRENT (MAX): 3A
B. VOLTAGE (MAX): 500VAC
C. INSULATION RESISTANCE (MIN): 5000M OHMS
D. TEST VOLTAGE (BETWEEN CONTACTS): 3050V

- TECHNICAL DATA:
A. TEMPERATURE RANGE: -40C TO 105C.
B. PROTECTION: IP67. (IP69K WHEN IN MATED CONDITION).
C. MATING CYCLES: >500
D. VIBRATION RESISTANCE PER MIL-STD-202 METHOD 204.
E. THERMAL SHOCK PER MIL-STD-202 METHOD 207.
F. 48 HOUR SALT SPRAY PER MIL-STD-202 METHOD 101.
- RoHS COMPLIANT.

QUANTITY	PART NUMBER	DESCRIPTION	ITEM
28	MS16M23F	CONTACT, SOCKET, SIZE 16	3
1	RTFD20B	GASKET	2
1	RT002028SNH	CONNECTOR	1

MATERIALS LIST

UNLESS OTHERWISE SPECIFIED: 1) All dimensions in metric(mm) 2) Tolerances are as follows: 1 PL DEC ±0.30 Fractions ±1/64 2 PL DEC ±0.15 Angles ±1° 3) Note reference X	SIGNATURES	DATE	 Sine Systems - www.amphenol-sine.com 44724 Morley Drive Clinton Township, MI 48036	
	DRAWN: MRF	21AUG18		
MATERIAL SPECIFICATIONS:	ENGINEER:	APPROVAL:	KIT, ECO-MATE RM	
PROCESS SPECIFICATIONS:	CUSTOMER:	THIS DRAWING IS SUPPLIED FOR INFORMATION ONLY. DESIGN FEATURES, SPECIFICATIONS AND PERFORMANCE DATA SHOWN HEREON ARE THE PROPERTY OF THE AMPHENOL CORPORATION. NO RIGHTS OF REPRODUCTION ARE IMPLIED. ALL DIMENSIONS ARE SUBJECT TO NORMAL MANUFACTURING VARIATIONS.		
NEXT ASS'Y:	SCALE: NONE	DWG NO: RT002028SNH-K	REVISION: 03	SHEET 11 OF

TITLE: KIT, ECO-MATE RM DWG NO: REV: SH: 1 DF: 1