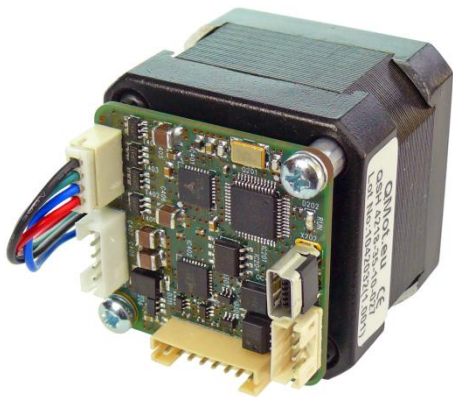


Hardware Version V1.2

# HARDWARE MANUAL

+



+

## PD-1141

Stepper Motor with  
Controller / Driver  
0.27 - 0.49 Nm / 24 V DC  
USB, RS485, and S/D Interface

+

+

### UNIQUE FEATURES



coolStep™

## stallGuard<sup>2</sup>

TRINAMIC Motion Control GmbH & Co. KG  
Hamburg, Germany

[www.trinamic.com](http://www.trinamic.com)



**TRINAMIC**  
MOTION CONTROL

# Table of Contents

1	Features.....	3
2	Order Codes .....	5
3	Mechanical and Electrical Interfacing.....	6
3.1	Dimensions .....	6
3.2	Stepper Motor Specifications .....	7
3.3	Connectors of PD-1141.....	8
3.3.1	Power and RS485 Connector .....	9
3.3.1.1	Power Supply .....	9
3.3.1.2	RS485 .....	10
3.3.2	Multipurpose I/O Connector.....	11
3.3.2.1	Digital Inputs IN_0, IN_1, IN_2 .....	12
3.3.2.2	Analog Input AIN_1.....	13
3.3.2.3	Outputs OUT_0, OUT_1.....	13
3.3.3	Step/Direction Connector .....	14
3.3.3.1	Step / Direction / Enable inputs.....	14
3.3.4	Motor Connector.....	15
3.3.5	Mini-USB Connector .....	16
4	Reset to Factory Defaults.....	17
5	On-Board LED .....	17
6	Operational Ratings .....	18
7	Torque Curves .....	19
7.1.1	PD42-1-1141 Torque Curves.....	19
7.1.2	PD42-2-1141 Torque Curves.....	19
7.1.3	PD42-3-1141 Torque Curves.....	20
8	Functional Description.....	21
9	PD-1141 Operational Description.....	22
9.1	Calculation: Velocity and Acceleration vs. Microstep and Fullstep Frequency.....	22
10	Life Support Policy.....	24
11	Revision History.....	25
11.1	Document Revision .....	25
11.2	Hardware Revision .....	25
12	References .....	25

# 1 Features

The PANdrive™ PD-1141 is a full mechatronic solution with state of the art feature set. It is highly integrated and offers a convenient handling. The PD-1141 includes a stepper motor and controller/driver electronics. It can be used in many decentralized applications and has been designed for 0.27... 0.49 Nm max. holding torque and 24V DC nominal supply voltage. With its high energy efficiency from TRINAMICs coolStep technology cost for power consumption is kept down. The TMCL™ firmware allows for standalone operation and direct mode.

## MAIN CHARACTERISTICS

### Motion controller

- Motion profile calculation in real-time
- On the fly alteration of motor parameters (e.g. position, velocity, acceleration)
- High performance microcontroller for overall system control and serial communication protocol handling

### Bipolar stepper motor driver

- Up to 256 microsteps per full step
- High-efficient operation, low power dissipation
- Dynamic current control
- Integrated protection
- stallGuard2 feature for stall detection
- coolStep feature for reduced power consumption and heat dissipation
- ready for dcStep

### Interfaces

- RS485 2-wire communication interface
- USB full speed (12Mbit/s) device interface
- Step/Direction/Enable interface (optically isolated) for external control of driver circuit
- 4 multipurpose inputs:
  - 3x general-purpose digital inputs  
(Alternate functions: STOP\_L / STOP\_R / HOME switch inputs)
  - 1x dedicated analog input
- 2 general purpose outputs
  - 2x open-drain 100 mA max.

### Software

- TMCL: standalone operation or remote controlled operation, program memory (non volatile) for up to 1024 TMCL commands, and PC-based application development software TMCL-IDE available for free.

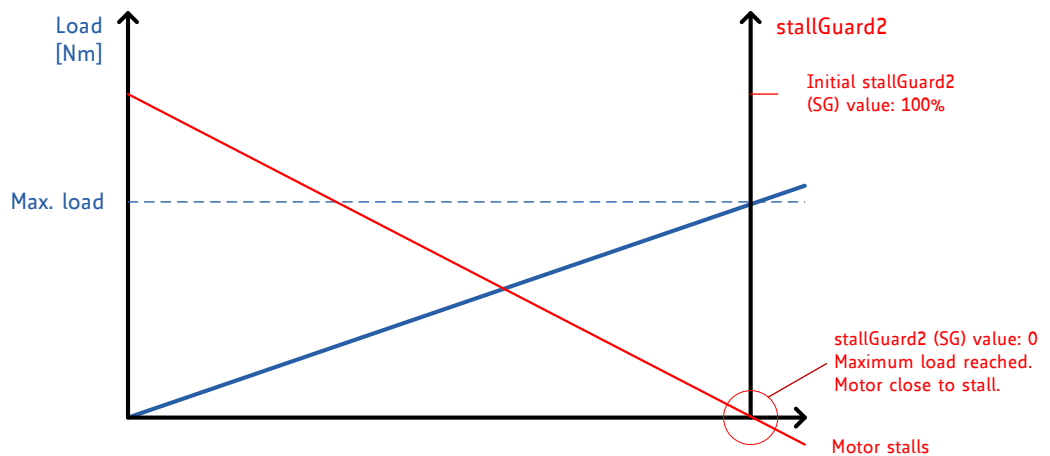
### Electrical and mechanical data

- Supply voltage: +24 V DC nominal (9... 28 V DC)
- Motor current: up to 1.1 A RMS / 1.7 A peak (programmable)
- 0.27... 0.49 Nm max. holding torque (depends on motor)

**Refer to separate TMCL Firmware Manual, too.**

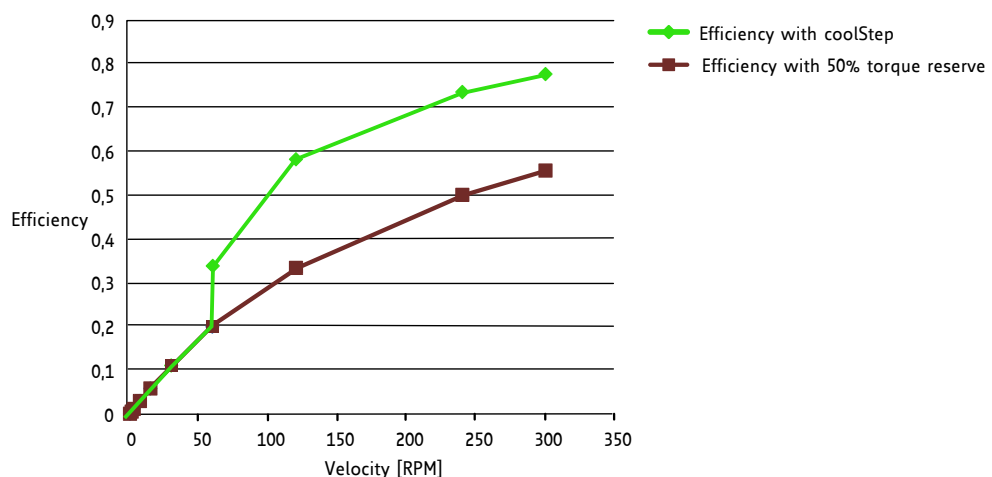
## TRINAMICS UNIQUE FEATURES – EASY TO USE WITH TMCL

**stallGuard2™** stallGuard2 is a high-precision sensorless load measurement using the back EMF on the coils. It can be used for stall detection as well as other uses at loads below those which stall the motor. The stallGuard2 measurement value changes linearly over a wide range of load, velocity, and current settings. At maximum motor load, the value goes to zero or near to zero. This is the most energy-efficient point of operation for the motor.



**Figure 1.1** stallGuard2 load measurement SG as a function of load

**coolStep™** coolStep is a load-adaptive automatic current scaling based on the load measurement via stallGuard2 adapting the required current to the load. Energy consumption can be reduced by as much as 75%. coolStep allows substantial energy savings, especially for motors which see varying loads or operate at a high duty cycle. Because a stepper motor application needs to work with a torque reserve of 30% to 50%, even a constant-load application allows significant energy savings because coolStep automatically enables torque reserve when required. Reducing power consumption keeps the system cooler, increases motor life, and allows reducing cost.



**Figure 1.2** Energy efficiency example with coolStep

## 2 Order Codes

The PD-1141 is currently available with three NEMA 17 stepper motors.

*The length of the PANdrives is specified without the length of the axis. For the overall length of the product please add 24 mm.*

Order code	Description	Size (mm <sup>3</sup> )
PD42-1-1141- <i>option</i>	PANdrive 0.27Nm max. holding torque	42 x 42 x 46.5
PD42-2-1141- <i>option</i>	PANdrive 0.35Nm max. holding torque	42 x 42 x 51
PD42-3-1141- <i>option</i>	PANdrive 0.49Nm max. holding torque	42 x 42 x 60

**Table 2.1 PD-1141 order codes**

The following options are available:

Firmware option	Description	Order code example:
-TMCL	Module pre-programmed with TMCL firmware	PD42-1-1141- <i>TMCL</i>

**Table 2.2 PD-1141 firmware options**

A cable loom set is available for this module:

Order code	Description
PD-1141-CABLE	Cable loom for PD-1141: <ul style="list-style-type: none"> <li>- 1x cable loom for power and RS485 connector (length 200mm)</li> <li>- 1x cable loom for multipurpose I/O connector (length 200mm)</li> <li>- 1x cable loom for S/D connector (length 200mm)</li> <li>- 1x USB type A connector to mini-USB type B connector cable (length 1.5m)</li> </ul>

**Table 2.2 Cable loom order codes**

### 3 Mechanical and Electrical Interfacing

#### 3.1 Dimensions

The PD-1141 includes the TCM-1141 stepper motor controller/driver module and a NEMA17 bipolar stepper motor. Currently, there is a choice between three NEMA 17/42mm bipolar stepper motors with different lengths and different holding torques.

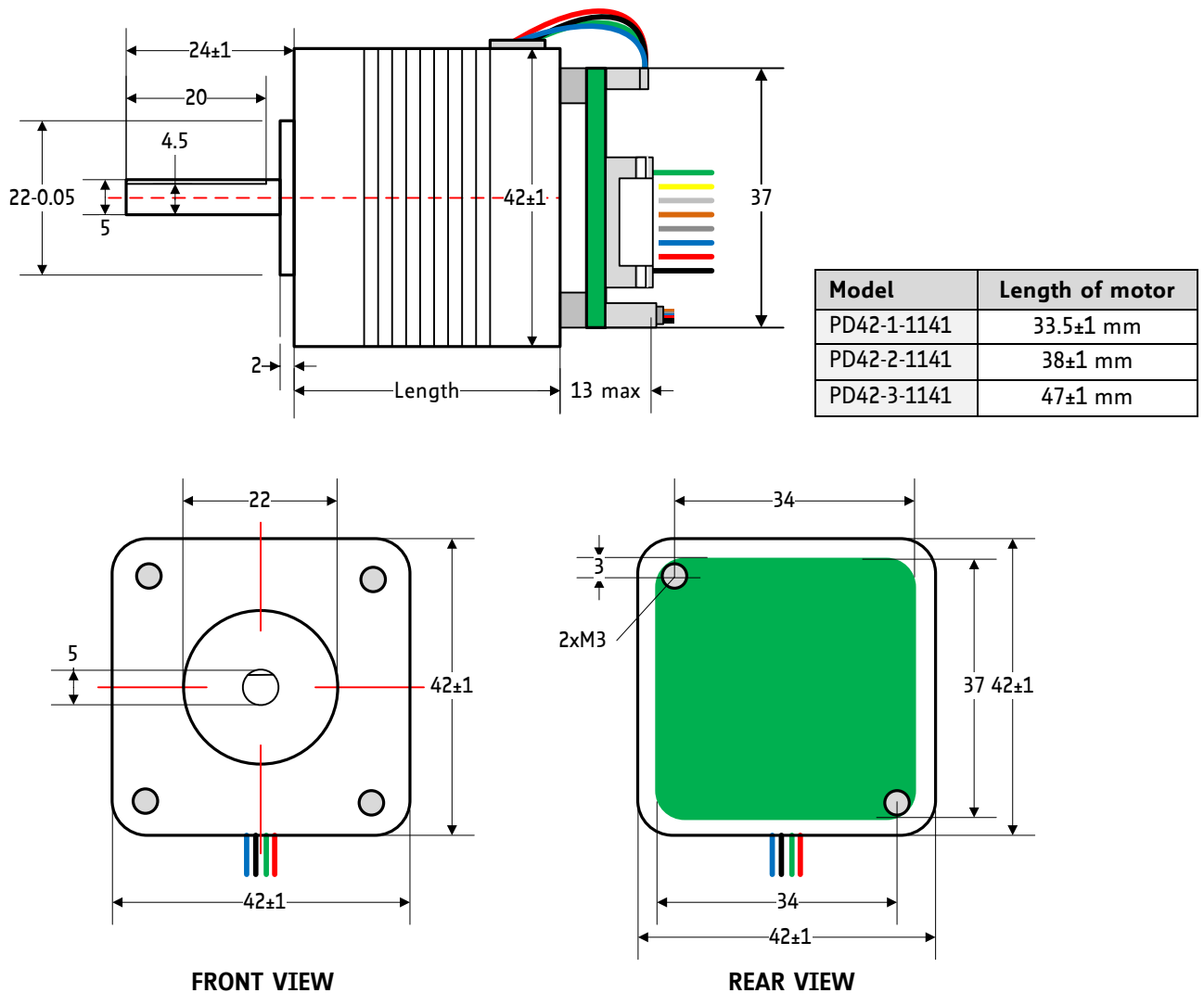


Figure 3.1 PD-1141 dimensions

## 3.2 Stepper Motor Specifications

### MAIN CHARACTERISTICS OF THREE DIFFERENT MOTORS AVAILABLE AS PART OF THE PD-1141

Specifications	Units	QSH4218		
		-35-10-027	-41-10-035	-51-10-049
Rated Voltage	V	5.3	4.5	5.0
Rated Phase Current	A	1.0	1.0	1.0
Phase Resistance at 20°C	Ω	5.3	4.5	5.0
Phase Inductance (typ.)	mH	6.6	7.5	8.0
Holding Torque (typ.)	Ncm	27	35	49
	oz in	38	50	69
Detent Torque	mNm	22	25	28
Rotor Inertia	g cm <sup>2</sup>	35	54	68
Weight (Mass)	Kg	0.22	0.28	0.35
Insulation Class		B	B	B
Dielectric Strength (for one minute)	VAC	500	500	500
Connection Wires	N°	4	4	4
Step Angle	°	1.8	1.8	1.8
Step angle Accuracy (max.)	%	5	5	5
Flange Size (max.)	mm	42.3	42.3	42.3
Motor Length (max.)	mm	33.5	38	47
Rear shaft hole depth	mm	5.0	5.0	5.0
Rear shaft hole diameter	mm	3.0	3.0	3.0
Axis Diameter	mm	5.0	5.0	5.0
Axis Length (typ.)	mm	24	24	24
Axis D-cut (0.5mm depth)	mm	20	20	20
Maximum Radial Force (20 mm from front flange)	N	28	28	28
Maximum Axial Force	N	10	10	10
Ambient temperature	°C	-20...+50	-20...+50	-20...+50
Related PANdrive		PD42-1-1141	PD42-2-1141	PD42-3-1141

**Table 3.1 NEMA 17 / 42mm stepper motor technical data**

### 3.3 Connectors of PD-1141

The controller/driver board of the PD-1141 offers five connectors including the motor connector which is used for attaching the motor coils to the electronics. Further, there is a connector for power and for the RS485 interface. The USB interface and the step/direction interface have their own connectors. The 8pin multipurpose I/O connector offers four multipurpose inputs and two general purpose outputs.

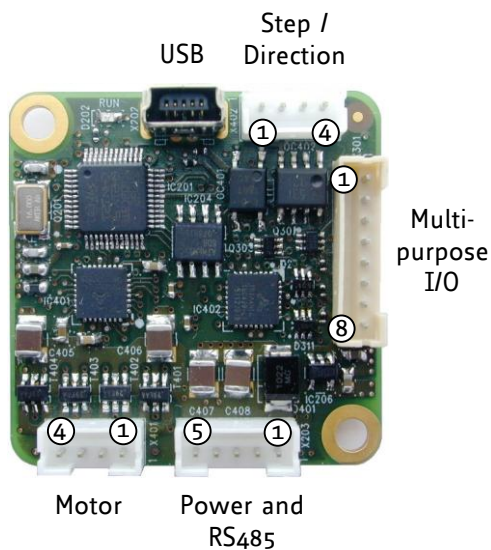


Figure 3.2 Overview connectors

Label	Connector type	Mating connector type
Power and RS485 Connector	CI0105P1VK0-LF CVIlux CI01 series, 5 pins, 2mm pitch	Connector housing CVIlux: CI01055000-A Contacts CVIlux: CI01T011PE0-A <i>or</i> Connector housing JST: PHR-5 Contacts JST: SPH-002T-P0.5S Wire: 0.22mm <sup>2</sup>
Multi-purpose I/O Connector	CI0108P1VK0-LF CVIlux CI01 series, 8 pins, 2mm pitch	Connector housing CVIlux: CI01085000-A Contacts CVIlux: CI01T011PE0-A <i>or</i> Connector housing JST: PHR-8 Contacts JST: SPH-002T-P0.5S Wire: 0.22mm <sup>2</sup>
Step/Direction Connector	CI0104P1VK0-LF CVIlux CI01 series, 4 pins, 2mm pitch	Connector housing CVIlux: CI01045000-A Contacts CVIlux: CI01T011PE0-A <i>or</i> Connector housing JST: PHR-4 Contacts JST: SPH-002T-P0.5S Wire: 0.22mm <sup>2</sup>
Motor Connector	CI0104P1VK0-LF CVIlux CI01 series, 4 pins, 2mm pitch	Connector housing CVIlux: CI01045000-A Contacts CVIlux: CI01T011PE0-A <i>or</i> Connector housing JST: PHR-4 Contacts JST: SPH-002T-P0.5S Wire: 0.22mm <sup>2</sup>
Mini-USB Connector	Molex 500075-1517 Mini USB Type B vertical receptacle	Any standard mini-USB plug

Table 3.1 Connectors and mating connectors, contacts and applicable wire



### 3.3.1 Power and RS485 Connector

A 5pin single row connector is used for power supply and RS485 serial communication.






	Pin	Label	Direction	Description
	1	GND	Power (GND)	System and signal ground
	2	VDD	Power (Supply)	VDD (+9 V... +28 V)
	3	GND	Power (GND)	System and signal ground
	4	RS485+	Bidirectional	RS485 interface, diff. signal (non-inverting)
	5	RS485-	Bidirectional	RS485 interface, diff. signal (inverting)

Table 3.2 Connector for power supply and RS485

#### 3.3.1.1 Power Supply

For proper operation care has to be taken with regard to power supply concept and design. Due to space restrictions the PD-1141 includes about 40µF/35V of supply filter capacitors. These are ceramic capacitors which have been selected for high reliability and long life time. The module includes a 28V suppressor diode for over-voltage protection.

#### CAUTION!

	<p><b>Add external power supply capacitors!</b></p> <p>It is recommended to connect an electrolytic capacitor of significant size (e.g. 470µF/35V) to the power supply lines next to the PD-1141 especially if the distance to the power supply is large (i.e. more than 2-3m)! In larger systems a zener diode circuitry might be required in order to limit the maximum voltage when the motor is operated at high velocities.</p> <p>Rule of thumb for size of electrolytic capacitor: <math>c = 1000 \frac{\mu\text{F}}{\text{A}} \times I_{\text{SUPPLY}}</math></p> <p>In addition to power stabilization (buffer) and filtering this added capacitor will also reduce any voltage spikes which might otherwise occur from a combination of high inductance power supply wires and the ceramic capacitors. In addition it will limit slew-rate of power supply voltage at the module. The low ESR of ceramic-only filter capacitors may cause stability problems with some switching power supplies.</p>
	<p><b>Do not connect or disconnect motor during operation!</b></p> <p>Motor cable and motor inductivity might lead to voltage spikes when the motor is disconnected / connected while energized. These voltage spikes might exceed voltage limits of the driver MOSFETs and might permanently damage them. Therefore, always disconnect power supply before connecting / disconnecting the motor.</p>
	<p><b>Keep the power supply voltage below the upper limit of 28V!</b></p> <p>Otherwise the driver electronics will seriously be damaged! Especially, when the selected operating voltage is near the upper limit a regulated power supply is highly recommended. Please see also chapter 6 (operating values).</p>
	<p><b>There is no reverse polarity protection!</b></p> <p>The module will short any reversed supply voltage due to internal diodes of the driver transistors.</p>

### 3.3.1.2 RS485

For remote control and communication with a host system the PD-1141 provides a two wire RS485 bus interface. For proper operation the following items should be taken into account when setting up an RS485 network:

1. **BUS STRUCTURE:**

The network topology should follow a bus structure as closely as possible. That is, the connection between each node and the bus itself should be as short as possible. Basically, it should be short compared to the length of the bus.

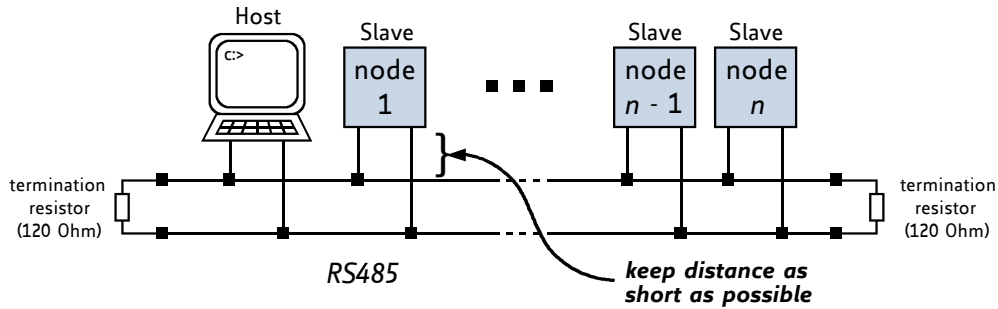


Figure 3.3 Bus structure

2. **BUS TERMINATION:**

Especially for longer busses and/or multiple nodes connected to the bus and/or high communication speeds, the bus should be properly terminated at both ends. The PD-1141 does not integrate any termination resistor. Therefore, 120 Ohm termination resistors at both ends of the bus have to be added externally.

3. **NUMBER OF NODES:**

The RS485 electrical interface standard (EIA-485) allows up to 32 nodes to be connected to a single bus. The bus transceiver used on the PD-1141 units (SN65HVD3082ED) has just 1/8th of the standard bus load and allows a maximum of 256 units to be connected to a single RS485 bus.

4. **NO FLOATING BUS LINES:**

Avoid floating bus lines while neither the host/master nor one of the slaves along the bus line is transmitting data (all bus nodes switched to receive mode). Floating bus lines may lead to communication errors. In order to ensure valid signals on the bus it is recommended to use a resistor network connecting both bus lines to well defined logic levels. In contrast to the termination resistors this network is normally required just once per bus. Certain RS485 interface converters available for PCs already include these additional resistors (e.g. USB-2-485).

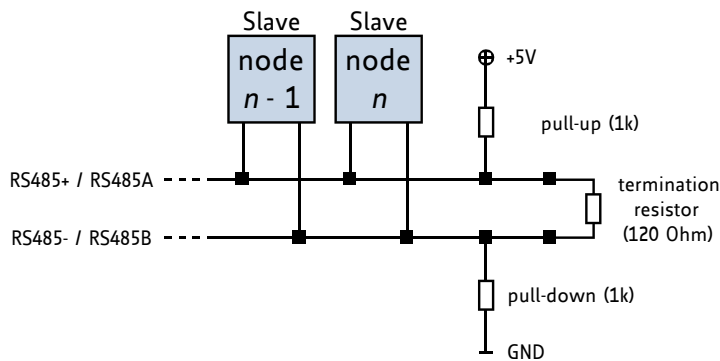



Figure 3.4 Bus lines with resistor network

### 3.3.2 Multipurpose I/O Connector

An 8pin 2mm pitch single row connector is available for all multipurpose inputs and outputs.

	Pin	Label	Direction	Description
	1	GND	Power (GND)	System and signal ground
	2	VDD	Power (Supply)	VDD, connected to VDD pin of the power and RS485 connector
	3	OUT_0	Output	Open-drain output (max. 100 mA) Integrated freewheeling diode to VDD
	4	OUT_1	Output	Open-drain output (max. 100 mA) Integrated freewheeling diode to VDD
	5	IN_0	Input	Dedicated analog input, Input voltage range: 0... +10V Resolution: 12bit (0... 4095)
	6	IN_1	Input	General purpose digital input (+24 V compatible) Alternate function: left stop switch input
	7	IN_2	Input	General purpose digital input (+24 V compatible) Alternate function: right stop switch input
	8	IN_3	Input	General purpose digital input (+24 V compatible) Alternate function: home switch input

**Table 3.4 Multipurpose I/O connector**

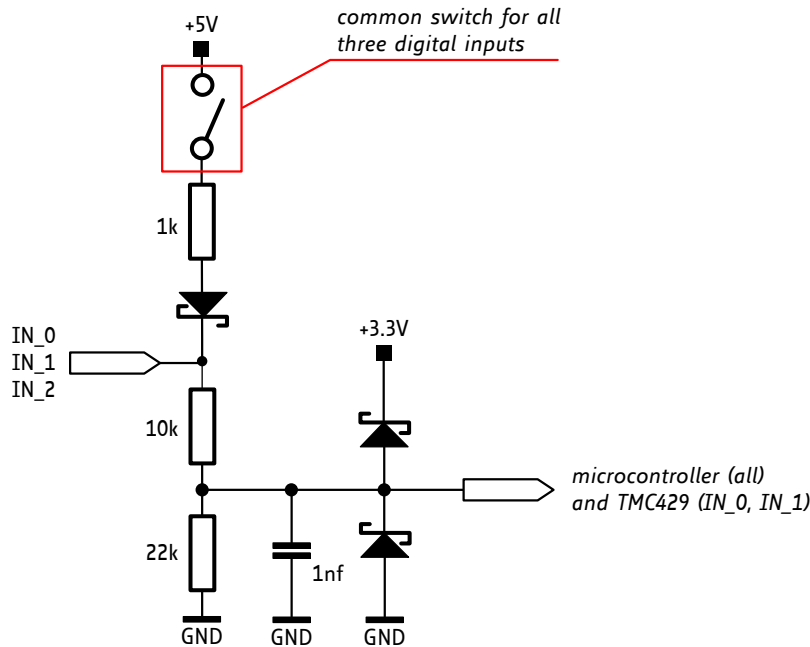
**Note:**

- All inputs have resistor based voltage input dividers with protection diodes. These resistors also ensure a valid GND level when left unconnected.
- For all digital inputs (IN\_1, IN\_2, IN\_3) a 1k pull-up resistor to +5V can be activated. Then these inputs have a default (unconnected) logic level of 1 and an external switch to GND can be connected. This might be especially interesting in case these inputs are used as stop and home switch inputs (alternate function).

### 3.3.2.1 Digital Inputs IN\_1, IN\_2, IN\_3

The eight pin connector of the PD-1141 provides three multi-purpose digital inputs IN\_1, IN\_2 and IN\_3.

All three inputs accept up-to +24 V input signals. They are protected against these higher voltages using voltage resistor dividers together with limiting diodes against voltages below 0 V (GND) and above +3.3 V DC (see figure below).



**Figure 3.5 General purpose inputs (simplified input circuit)**

Refer to the PD-1141 TMCL Firmware Manual (SIO command) for further information about switching the pull-up resistors for all digital inputs on / off.

The three digital inputs have alternate functionality depending on configuration in software. The following functions are available:

Label (pin)	Default function	Alternate function 1	Alternate function 2
IN_0 (6)	General purpose digital input	STOP_L - left stop switch input connected to processor and TMC429 REF input (supporting left stop functionality in hardware)	IN_0 (6)
IN_1 (7)	General purpose digital input	STOP_R - right stop switch input connected to processor and TMC429 REF input (supporting right stop switch functionality in hardware)	IN_1 (7)
IN_2 (8)	General purpose digital input	HOME - home switch input (connected to processor)	IN_2 (8)

**Table 3.7 Multipurpose inputs / alternate functions**

All three digital inputs are connected to the on-board processor and can be used as general purpose digital inputs (default).

### 3.3.2.2 Analog Input AIN\_1

The eight pin connector of the PD-1141 provides one dedicated analog input AIN\_1.

This dedicated analog input offers a full scale input range of 0... +10V with a resolution of the internal analog-to-digital converter of the microcontroller of 12 bit (0... 4095).

The input is protected against higher voltages up-to +24 V using voltage resistor dividers together with limiting diodes against voltages below 0 V (GND) and above +3.3 V DC (see figure below).

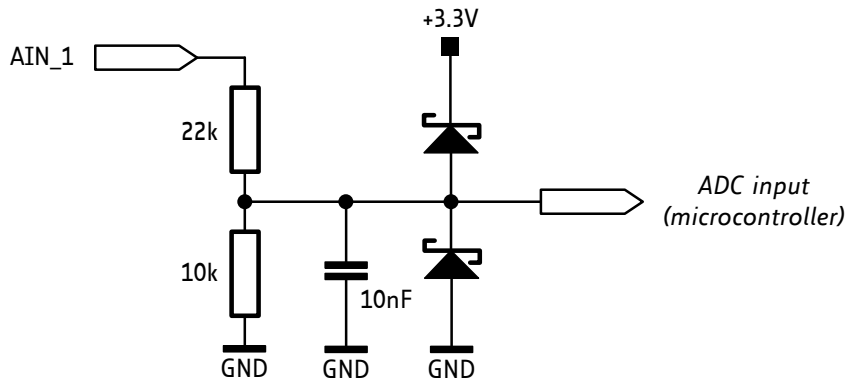


Figure 3.6 General purpose inputs (simplified input circuit)

### 3.3.2.3 Outputs OUT\_0, OUT\_1

The eight pin connector of the PD-1141 offers two general purpose outputs OUT\_0 and OUT\_1. These two outputs are open-drain outputs and can sink up to 100 mA each. The outputs of the N-channel MOSFET transistors are connected to freewheeling diodes each for protection against voltage spikes especially from inductive loads (relais etc.) above supply voltage (see figure below).

*Using free-wheeling diodes connected to VDD supply voltage:  
None of the two outputs should be connected to any voltage above supply voltage of the module.*

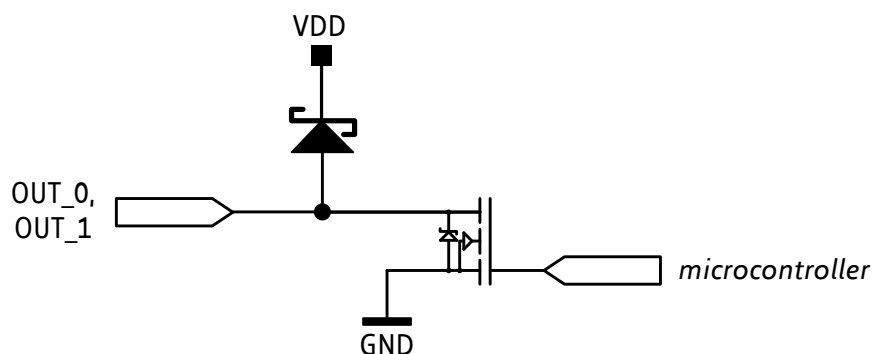


Figure 3.7 General purpose outputs

### 3.3.3 Step/Direction Connector

A 4pin 2mm pitch single row connector is available for the Step/Dir interface. This interface can be used for connecting an external motion controller to the on-board driver stage instead of the integrated motion controller.

All three Step/Dir/Enable signals are optically isolated. Therefore, an additional supply input (COMMON) is available which has to be connected to a supply voltage between +5 V and +24 V for proper operation.


	Pin	Label	Direction	Description
	1	COMMON	Power (Supply input)	Power supply input for the three Step / Direction / Enable signals. Accepts voltages between +5V and +24V nom.
	2	/ENABLE	Input	Enable input (function depends on firmware)
	3	STEP	Input	Step pulse input (connected to step input of TMC262 driver IC)
	4	DIRECTION	Input	Direction input (connected to direction input of TMC262 driver IC)

Table 3.5: Step/Direction connector

#### 3.3.3.1 Step / Direction / Enable inputs

The inputs Step / Direction / Enable are electrically (optically) isolated from the power supply and all other signals of the PD-1141. These inputs have one common reference input COMMON (see Figure 3.7). The COMMON input should be connected to a positive supply voltage between +5V and +24V. Step / Direction / Enable signals might be driven either by open-collector / open-drain outputs or by push-pull outputs. In case of push-pull outputs the COMMON supply voltage should be equal / similar to the high signal voltage level of the push-pull drivers.

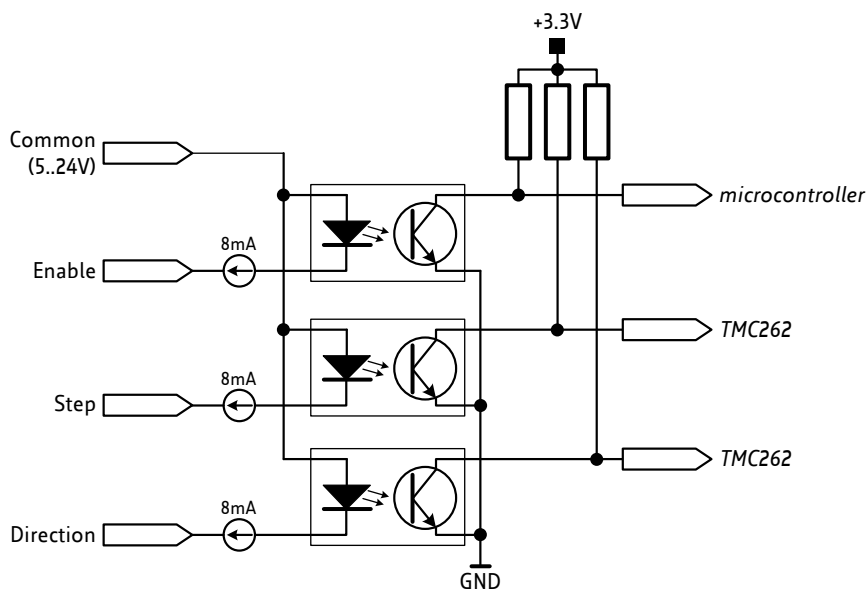



Figure 3.8 Step/Dir/Enable inputs

### 3.3.4 Motor Connector

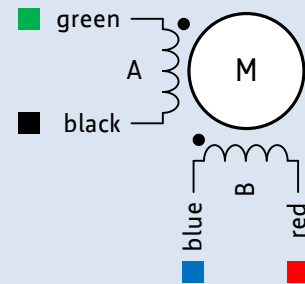
As motor connector a 4pin 2mm pitch single row connector is available. The motor connector is used for connecting the four motor wires of the two motor coils of the bipolar stepper motor to the electronics.

	Pin	Label	Direction	Description
	1	OB2	Output	Pin 2 of motor coil B
	2	OB1	Output	Pin 1 of motor coil B
	3	OA2	Output	Pin 2 of motor coil A
	4	OA1	Output	Pin 1 of motor coil A

**Table 3.5 Motor connector**


Example for connecting the QSH4218 NEMA 17 / 42mm stepper motors:

TMCM-1141	QS4218 Motor		
Motor connector pin	Cable color	Coil	Description
1	Red	B	Motor coil B pin 1
2	Blue	B-	Motor coil B pin 2
3	Green	A-	Motor coil A pin 2
4	Black	A	Motor coil A pin 1



### 3.3.5 Mini-USB Connector

A 5pin mini-USB connector is available on-board for serial communication (as alternative to the RS485 interface). This module supports USB 2.0 Full-Speed (12Mbit/s) connections.

	Pin	Label	Direction	Description
	1	VBUS	Power (supply input)	+5V supply from host
	2	D-	Bidirectional	USB Data -
	3	D+	Bidirectional	USB Data +
	4	ID	Power (GND)	Connected to signal and system ground
	5	GND	Power (GND)	Connected to signal and system ground

**Table 3.6 Connector for USB**

For remote control and communication with a host system the PD-1141 provides a USB 2.0 full-speed (12Mbit/s) interface (mini-USB connector). As soon as a USB host is connected the module will accept commands via USB.

#### USB BUS POWERED OPERATION MODE

The PD-1141 supports both, USB self powered operation (when an external power is supplied via the power supply connector) and USB bus powered operation, (no external power supply via power supply connector).

On-board digital core logic will be powered via USB in case no other supply is connected (USB bus powered operation). The digital core logic comprehends the microcontroller itself and also the EEPROM. The *USB bus powered operation mode* has been implemented to enable configuration, parameter settings, read-outs, firmware updates, etc. by just connecting an USB cable between module and host PC. No additional cabling or external devices (e.g. power supply) are required.

Please note that the module might draw current from the USB +5V bus supply even in USB self powered operation depending on the voltage level of this supply.

Motor movements are not possible in this operation mode. Therefore, connect the power connector and change to *USB self powered operation mode*.



## 4 Reset to Factory Defaults

It is possible to reset the PD-1141 to factory default settings without establishing a communication link. This might be helpful in case communication parameters of the preferred interface have been set to unknown values or got accidentally lost.

For this procedure two pads on the bottom side of the board have to be shortened. Now, perform the following steps:

1. Power supply off and USB cable disconnected
2. Short two pads as marked in Figure 4.1
3. Power up board (power via USB is sufficient for this purpose)
4. Wait until the on-board red and green LEDs start flashing fast (this might take a while)
5. Power-off board (disconnect USB cable)
6. Remove short between pads
7. After switching on power-supply / connecting USB cable all permanent settings have been restored to factory defaults

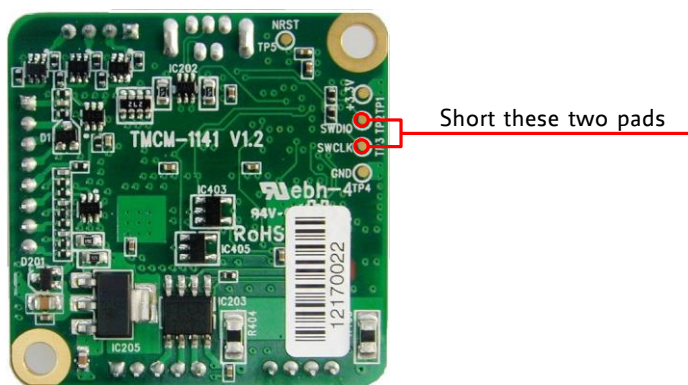


Figure 4.1 Reset to factory default settings

## 5 On-Board LED

The board offers an LED in order to indicate board status. The function of the LED is dependent on the firmware version. With standard TMCL firmware the green LED should be flashing slowly during operation. When there is no valid firmware programmed into the board or during firmware update the green LED is permanently on.

### BEHAVIOR OF LEDs WITH STANDARD TMCL FIRMWARE

Status	Label	Description
Heartbeat	Run	This green LED flashes slowly during operation.

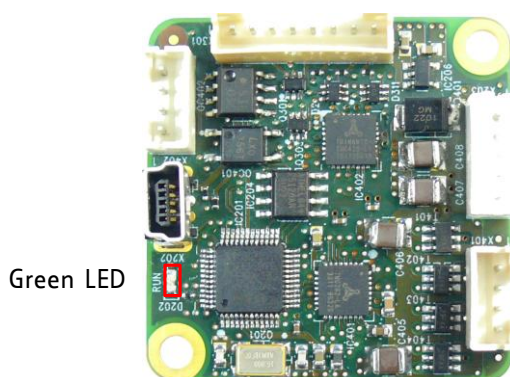


Figure 5.1 On-board LED

## 6 Operational Ratings

The operational ratings show the intended or the characteristic ranges and should be used as design values.

***In no case shall the maximum values be exceeded!***

### GENERAL OPERATIONAL RATINGS

Symbol	Parameter	Min	Typ	Max	Unit
VDD	Power supply voltage for operation	9	12... 24	28	V
$I_{\text{COIL\_peak}}$	Motor coil current for sine wave peak (chopper regulated, adjustable via software)	0		1.7	A
$I_{\text{COIL\_RMS}}$	Continuous motor current (RMS)	0		1.1	A
$I_{\text{DD}}$	Power supply current		$\ll I_{\text{COIL}}$	$1.4 * I_{\text{COIL}}$	A
$T_{\text{ENV}}$	Environment temperature at rated current (no forced cooling required)	Tbd		40	°C

**Table 6.1** General operational ratings of module

### OPERATIONAL RATINGS OF MULTIPURPOSE I/Os

Symbol	Parameter	Min	Typ	Max	Unit
$V_{\text{OUT\_0/1}}$	Voltage at open drain output	0		+VDD	V
$I_{\text{OUT\_0/1}}$	Output sink current of open drain output			100	mA
$V_{\text{IN\_1/2/3}}$	Input voltage for IN_1, IN_2, IN_3 (digital inputs)	0		+VDD	V
$V_{\text{IN\_L\_1/2/3}}$	Low level voltage for IN_1, IN_2 and IN_3	0		1.2	V
$V_{\text{IN\_H\_1/2/3}}$	High level voltage for IN_1, IN_2 and IN_3	4		+VDD	V
$V_{\text{IN\_0}}$	Measurement range for analog input IN_0	0		+10	V

**Table 6.2** Operational ratings of multipurpose I/Os

### OPERATIONAL RATINGS OF RS485 INTERFACE

Symbol	Parameter	Min	Typ	Max	Unit
$N_{\text{RS485}}$	Number of nodes connected to single RS485 network			256	

**Table 6.3:** Operational ratings of RS485 interface

## 7 Torque Curves

The following paragraphs will show you the curves of each PANdrive.

### 7.1.1 PD42-1-1141 Torque Curves

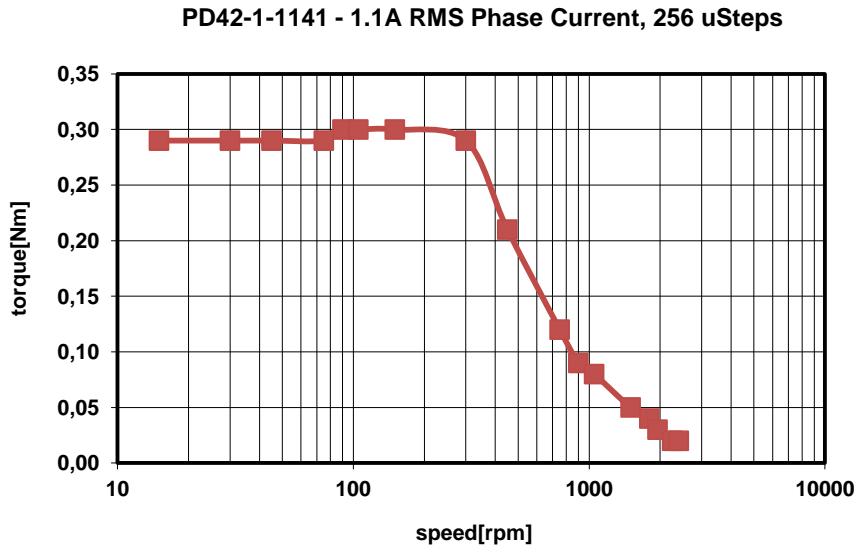


Figure 7.1 PD42-1-1141 torque vs. velocity 24V / 1.1 A, 256μsteps

### 7.1.2 PD42-2-1141 Torque Curves

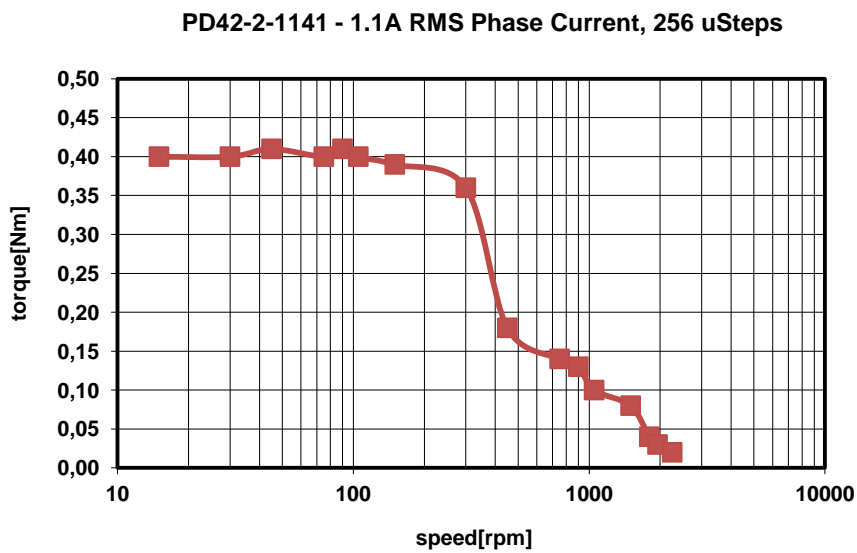


Figure 7.2 PD42-2-1141 torque vs. velocity 24V / 1.1 A, 256μsteps

### 7.1.3 PD42-3-1141 Torque Curves

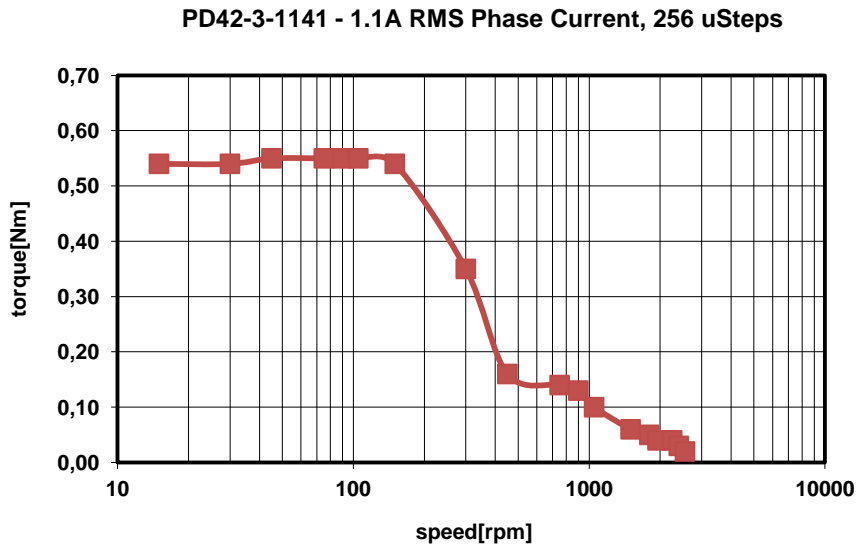


Figure 7.3 PD42-3-1141 torque vs. velocity 24V / 1.1A, 256µsteps

## 8 Functional Description

The PD-1141 is a highly integrated mechatronic device which can be controlled via several serial interfaces. Communication traffic is kept low since all time critical operations, e.g. ramp calculations are performed on board. Nominal supply voltage of the unit is 24V DC. The PANdrive is designed for both: direct mode and standalone operation. Full remote control of device with feedback is possible. The firmware of the module can be updated via any of the serial interfaces.

In Figure 8.1 the main parts of the PD-1141 are shown:

- the microprocessor, which runs the TMCL operating system (connected to TMCL memory),
- the motion controller, which calculates ramps and speed profiles internally by hardware,
- the power driver with stallGuard2 and its energy efficient coolStep feature,
- the MOSFET driver stage,
- the QSH stepper motor, and

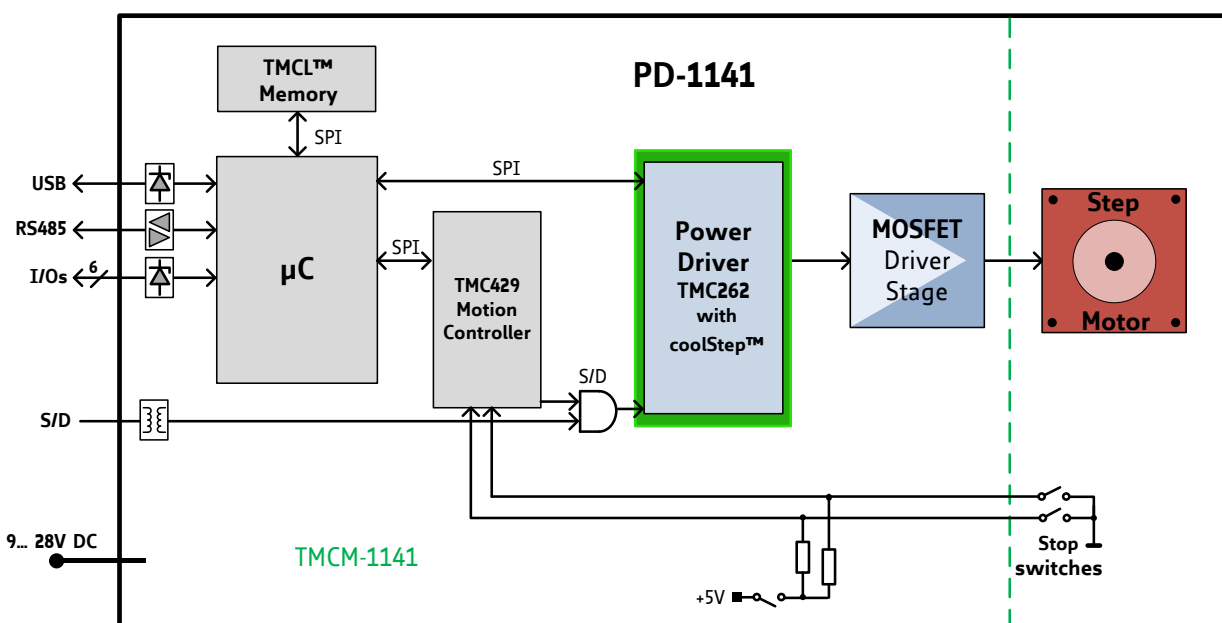


Figure 8.1 Main parts of the PD-1141

*Remark: stop switches are an alternate function of two out of three digital inputs.*

The PD-1141 comes with the PC based software development environment TMCL-IDE for the Trinamic Motion Control Language (TMCM). Using predefined TMCL high level commands like *move to position* a rapid and fast development of motion control applications is guaranteed.

*Please refer to the PD-1141 Firmware Manual for more information about TMCL commands.*

## 9 PD-1141 Operational Description

### 9.1 Calculation: Velocity and Acceleration vs. Microstep and Fullstep Frequency

The values of the parameters sent to the TMC429 do not have typical motor values like rotations per second as velocity. But these values can be calculated from the TMC429 parameters as shown in this section.

#### PARAMETERS OF TMC429

Signal	Description	Range
$f_{CLK}$	clock-frequency	16 MHz
velocity	-	0... 2047
a_max	maximum acceleration	0... 2047
pulse_div	divider for the velocity. The higher the value is, the less is the maximum velocity default value = 0	0... 13
ramp_div	divider for the acceleration. The higher the value is, the less is the maximum acceleration default value = 0	0... 13
Usrs	microstep-resolution (microsteps per fullstep = $2^{Usrs}$ )	0... 8 (a value of 7 or 8 is internally mapped to 6 by the TMC429)

**Table 9.1 TMC429 velocity parameters**

#### MICROSTEP FREQUENCY

The microstep frequency of the stepper motor is calculated with

$$usf[Hz] = \frac{f_{CLK}[Hz] \cdot velocity}{2^{pulse\_div} \cdot 2048 \cdot 32} \quad \text{with usf: microstep-frequency}$$

#### FULLSTEP FREQUENCY

To calculate the fullstep frequency from the microstep frequency, the microstep frequency must be divided by the number of microsteps per fullstep.

$$fsf[Hz] = \frac{usf[Hz]}{2^{Usrs}} \quad \text{with fsf: fullstep-frequency}$$

The change in the pulse rate per time unit (pulse frequency change per second – the **acceleration a**) is given by

$$a = \frac{f_{CLK}^2 \cdot a_{max}}{2^{pulse\_div+ramp\_div+29}}$$

This results in acceleration in fullsteps of:

$$af = \frac{a}{2^{Usrs}} \quad \text{with af: acceleration in fullsteps}$$

**EXAMPLE:**

Signal	value
f <sub>CLK</sub>	16 MHz
velocity	1000
a <sub>max</sub>	1000
pulse_div	1
ramp_div	1
usrs	6

$$msf = \frac{16 \text{ MHz} \cdot 1000}{2^1 \cdot 2048 \cdot 32} = \underline{\underline{122070.31 \text{ Hz}}}$$

$$fsf[\text{Hz}] = \frac{122070.31}{2^6} = \underline{\underline{1907.34 \text{ Hz}}}$$

$$a = \frac{(16 \text{ Mhz})^2 \cdot 1000}{2^{1+1+29}} = \underline{\underline{119.21 \frac{\text{MHz}}{\text{s}}}}$$

$$af = \frac{119.21 \frac{\text{MHz}}{\text{s}}}{2^6} = \underline{\underline{1.863 \frac{\text{MHz}}{\text{s}}}}$$

**CALCULATION OF THE NUMBER OF ROTATIONS**

A stepper motor has e.g. 72 fullsteps per rotation.

$$RPS = \frac{fsf}{\text{fullsteps per rotation}} = \frac{1907.34}{72} = 26.49$$

$$RPM = \frac{fsf \cdot 60}{\text{fullsteps per rotation}} = \frac{1907.34 \cdot 60}{72} = 1589.46$$

## 10 Life Support Policy

TRINAMIC Motion Control GmbH & Co. KG does not authorize or warrant any of its products for use in life support systems, without the specific written consent of TRINAMIC Motion Control GmbH & Co. KG.

Life support systems are equipment intended to support or sustain life, and whose failure to perform, when properly used in accordance with instructions provided, can be reasonably expected to result in personal injury or death.

© TRINAMIC Motion Control GmbH & Co. KG 2013

Information given in this data sheet is believed to be accurate and reliable. However neither responsibility is assumed for the consequences of its use nor for any infringement of patents or other rights of third parties, which may result from its use.

Specifications are subject to change without notice.

All trademarks used are property of their respective owners.





# 11 Revision History

## 11.1 Document Revision

Version	Date	Author GE - Göran Eggers SD - Sonja Dwersteg	Description
0.90	2011-DEC-19	GE	Initial version
0.91	2011-DEC-23	GE	Connector pin assignment corrected
1.00	2012-JUN-22	SD	First complete version including the following chapters: <ul style="list-style-type: none"> <li>- Reset to factory defaults,</li> <li>- LEDs,</li> <li>- Torque curves</li> </ul>
1.01	2012-JUL-23	SD	Information about sensOstep deleted.
1.02	2012-JUL-27	SD	Figure 3.5 corrected.
1.03	2013-MAR-05	SD	<ul style="list-style-type: none"> <li>- Names of inputs changed: AIN_0 IN_0 IN_0 IN_1 IN_1 IN_2 IN_2 IN_3</li> <li>- Names of outputs changed: OUT_1 = OUT_0 OUT_0 = OUT_1</li> </ul>
1.04	2013-JUL-23	SD	<ul style="list-style-type: none"> <li>- Connector description updated</li> <li>- Information about power supply updated</li> </ul>

Table 11.1 Document revision

## 11.2 Hardware Revision

Version	Date	Description
TMCM-1041_V10	2011-MAR-03	Initial version
TMCM-1141_V10	2011-AUG-12	<ul style="list-style-type: none"> <li>- Clock generation and distribution changed, 16Mhz crystal instead of 8MHz, TMC429 and TMC262 running from 16Mhz clock signal from processor</li> <li>- Resistor dividers at inputs changed, more compact and optimized input protection circuit</li> <li>- Support of USB powered operation</li> </ul>
TMCM-1141_V11	2011-NOV-23	<ul style="list-style-type: none"> <li>- Optimization and cost reduction for board assembly after feedback from assembly house (version 1.1 is 100% firmware compatible with V1.0)</li> </ul>
TMCM-1141_V12	2011-DEC-12	<ul style="list-style-type: none"> <li>- Mounting holes connected to GND</li> </ul>

Table 11.2 Hardware revision

# 12 References

[PD-1141 TMCL]	PD-1141 TMCL Firmware Manual
[TMC262]	TMC262 Datasheet
[TMC429]	TMC429 Datasheet
[TMCL-IDE]	TMCL-IDE User Manual
[QSH4218]	QSH4218 Manual

Please refer to [www.trinamic.com](http://www.trinamic.com).