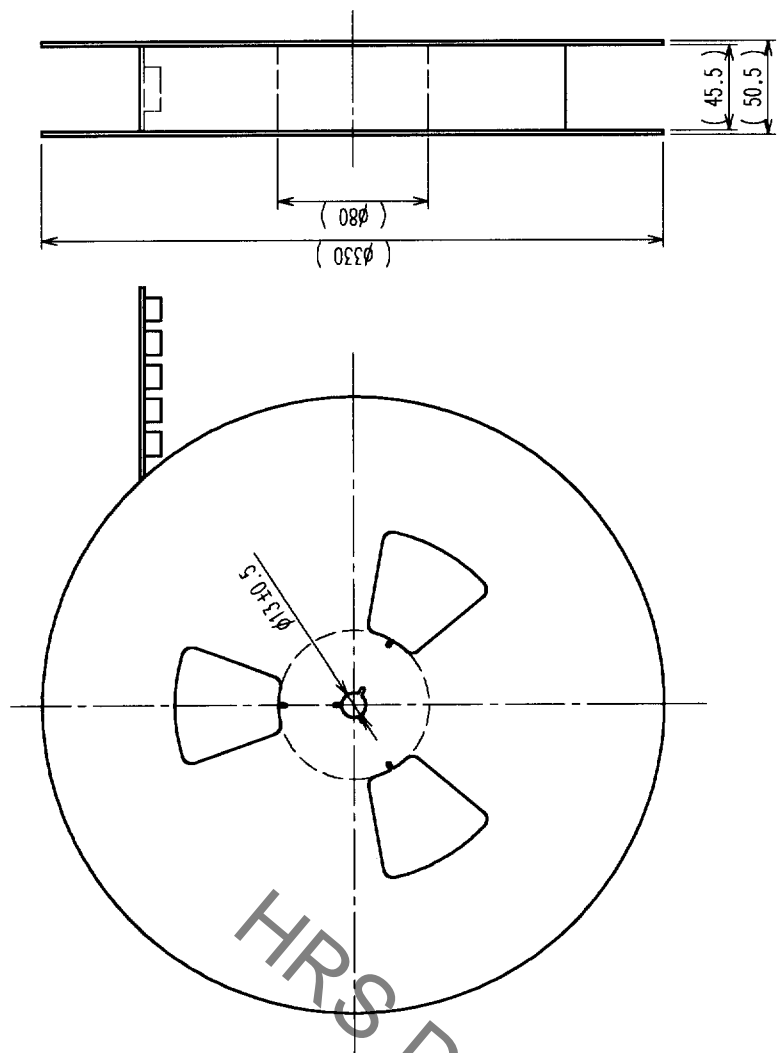
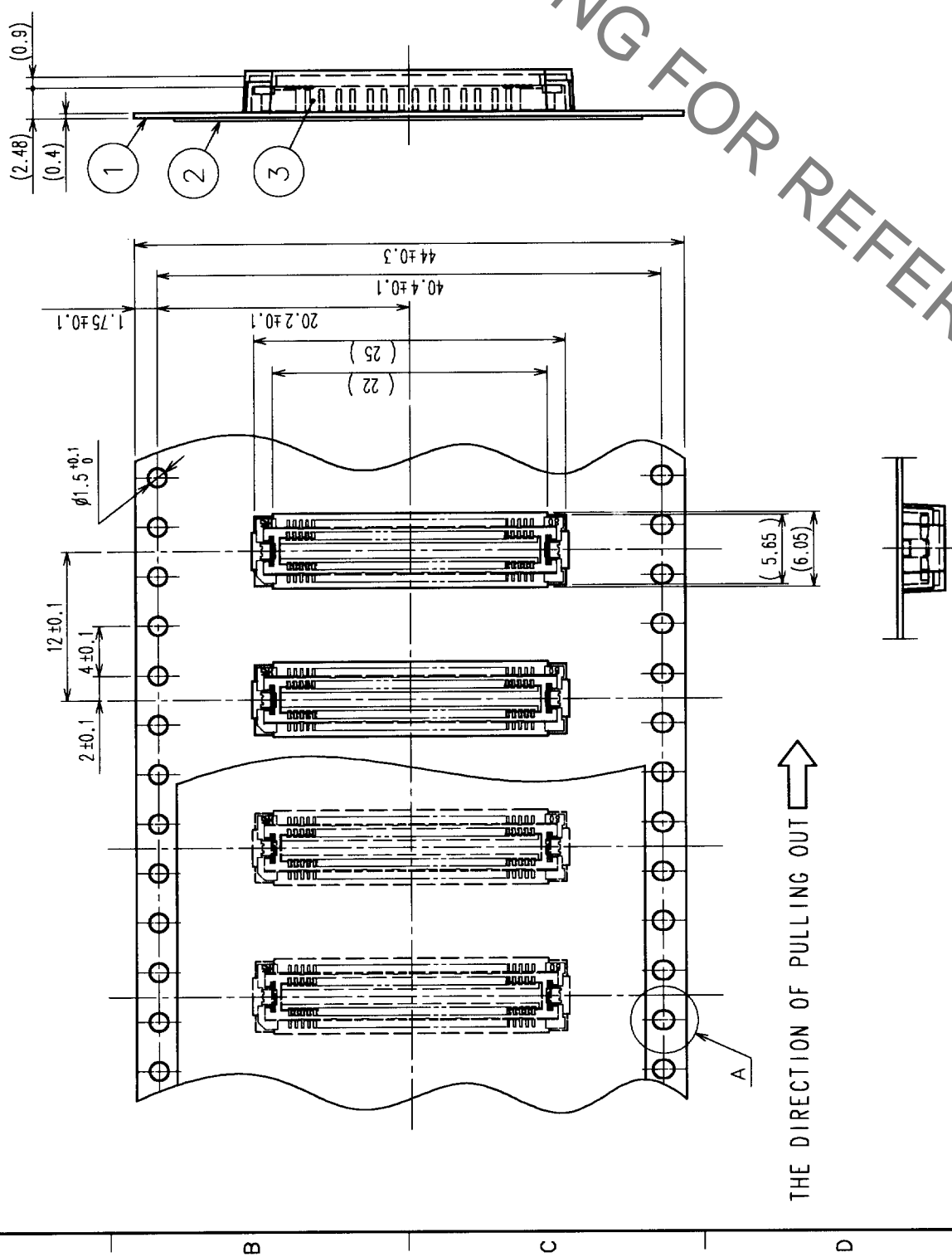




Aug.1.2019 Copyright 2019 HIROSE ELECTRIC CO., LTD. All Rights Reserved.  
 In case of consideration for using Automotive equipment / device which demand high reliability, kindly contact our sales window correspondents.

COUNT	DESCRIPTION OF REVISIONS	BY	CHKD	DATE	COUNT	DESCRIPTION OF REVISIONS	BY	CHKD	DATE
1					1				
2					2				
3					3				

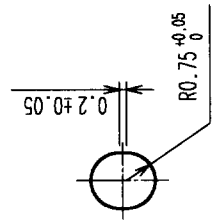
REELED DIMENSION (FREE)



HRS DRAWING FOR REFERENCE

- NOTES
- 1 REEL: 1000 CONNECTORS.
  - 2 MINIMUM 10 COMPARTMENTS FROM BOTH REEL ENDS REMAIN EMPTY.
  - 3 THIS PRODUCT HAS NO POLARITY TO TAPE AND REEL PACKAGING.

A (5:1)



2		TOP COVER TAPE		3		FINISH, REMARKS	
1		EMBOSSED CARRIER TAPE		3		(CONNECTOR)	
NO.	MATERIAL	FINISH, REMARKS	NO.	MATERIAL	FINISH, REMARKS	DESIGNED	CHECKED
CODE NO. (OLD)		DRAWN		NO.		APPROVED	
CL		H. Nishikawa		02.06.20		H. Nishikawa	
DRAWING FOR PACKING		02.06.20		02.06.21		02.06.23	
DRAWING NO.		PART NO.		FINISH, REMARKS		RELEASED	
EDC3-152613-01		FX11B-80P-SV(21)					
SCALE		UNITS		CODE NO.		2	
2:1		mm		CL573-0558-4-21			

TO	
PCK	