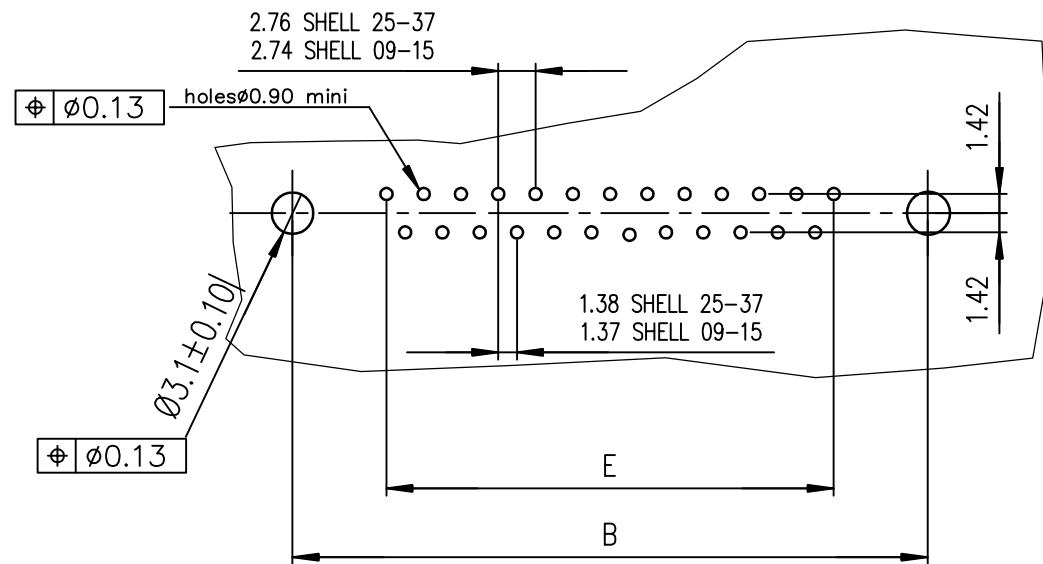


LEAD FREE PART NUMBER

SHELL	A±0.38	B±0.12	C±0.10	D±0.25	E±0.07	PART NUMBER
09	30.81	24.99	16.96	16.21	10.96	D09S14A*GV00LF
15	39.14	33.32	25.18	24.54	19.18	D15S14A*GV00LF
25	53.03	47.04	39.12	38.25	33.12	D25S14A*GV00LF
37	69.32	63.50	55.68	54.71	49.68	D37S14A*GV00LF

Protection: 4 --> 200 matings
6 --> 500 matings

PC card drilling dimensions(after plating)
(thickness 1.60±0.20mm)



GENERAL CHARACTERISTICS AND ROHS INFORMATIONS:
SEE DRAWING C01-8646-0000

EUROPEAN VIEWS

mat'l. code		surface ISO 1302 ✓		tolerance ISO 406 ISO 1101		projection mm		product family D-SUB	
ltr		ecn no		dr		date		title FEMALE CONNECTOR, LOW PROFILE STRAIGHT SOLDER TYPE	
G		ELX-I-31892		GM		2018-19-11		scale NTS	
angles		linear		.0±0.1		.00±0.1		dwg no C01-8646-0051	
0°±2°		.000±0.1		dr		PESSON 1992-01-08		sheet 1 of 1	
				engr		MITHUN PAUL 2018-19-11		size A3	
				chr		GREGAR M 2018-19-11		type Product Customer Drawing	
				appd		BIJU K PAUL 2018-19-11			
sheet index		revision sheet		G		1			