

DESCRIPTION: M5 MALE - PANEL MOUNT (REAR) - VERTICAL - 2 POSITION

NOTE:

MATERIAL

HOUSING: PBT UL94V-0, BLACK  
 CONTACT: BRASS  
 NUT: BRASS  
 SHELL: BRASS  
 O-RING: NBR, BLACK

FINISH

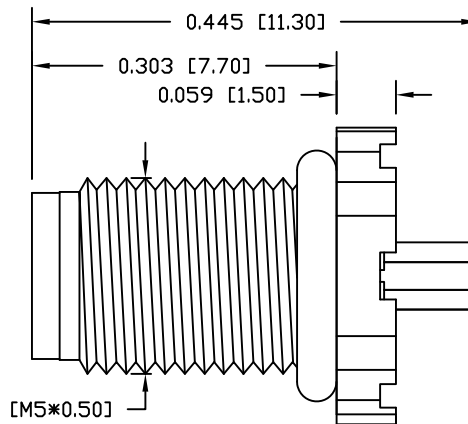
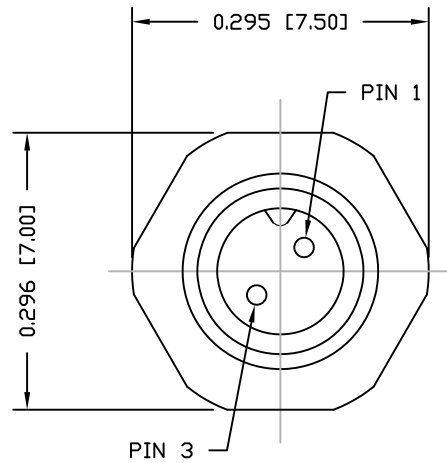
CONTACT: GOLD PLATED  
 OVER 50µ" NICKEL  
 NICKEL PLATED  
 SHELL: NICKEL PLATED

ELECTRICAL

RATED CURRENT: 1A  
 RATED VOLTAGE: 60V  
 INSULATION RESISTANCE: 100 MΩhms MIN.  
 CONTACT RESISTANCE: 10 mΩhms MAX.  
 WATER PROOF: IP67

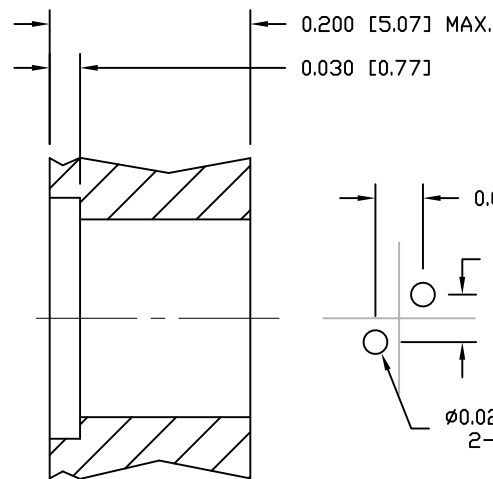
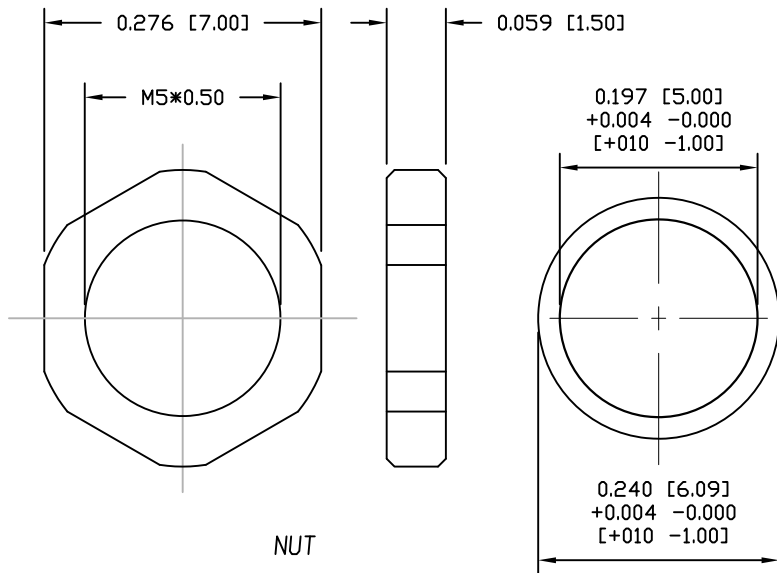
ENVIRONMENT

OPERATION TEMPERATURE: -40°C TO +85°C  
 MAX ASSEMBLY TORQUE: 1.5 in lbs

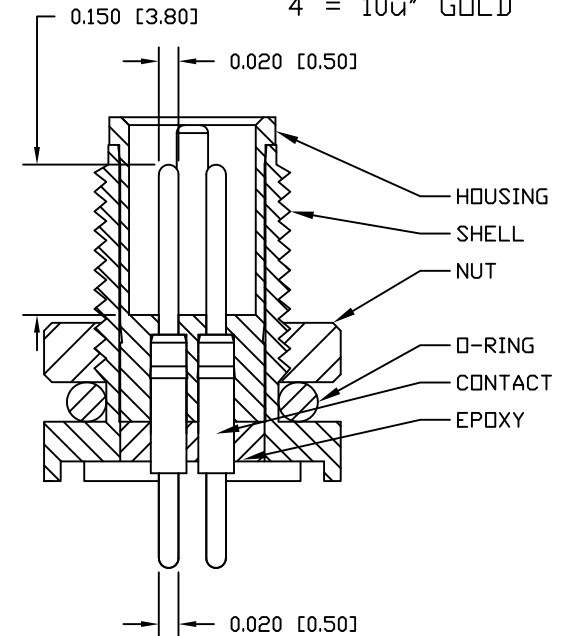


852-002-113R00Y

1 = GOLD FLASH  
 4 = 10µ" GOLD



RECOMMENDED  
 PANEL PCB



RECOMMEND PANEL CUT-OUT  
 MAX. PANEL THICKNESS: 0.063" [1.6]

RoHS COMPLIANT

DO NOT SCALE FROM DRAWING



THESE DRAWINGS AND SPECIFICATIONS ARE THE PROPERTY OF NorComp AND SHALL NOT BE REPRODUCED, COPIED OR USED AS THE BASIS FOR THE MANUFACTURE OR SALE OF APPARATUS WITHOUT WRITTEN PERMISSION.

DRAWN:

M. SIGMON

DATE:

03-03-16

NorComp

SCALE:

NTS

SHEET

1

OF

1

REV

6

DWG NO.

852-002-113R00Y