

6

5

4

3

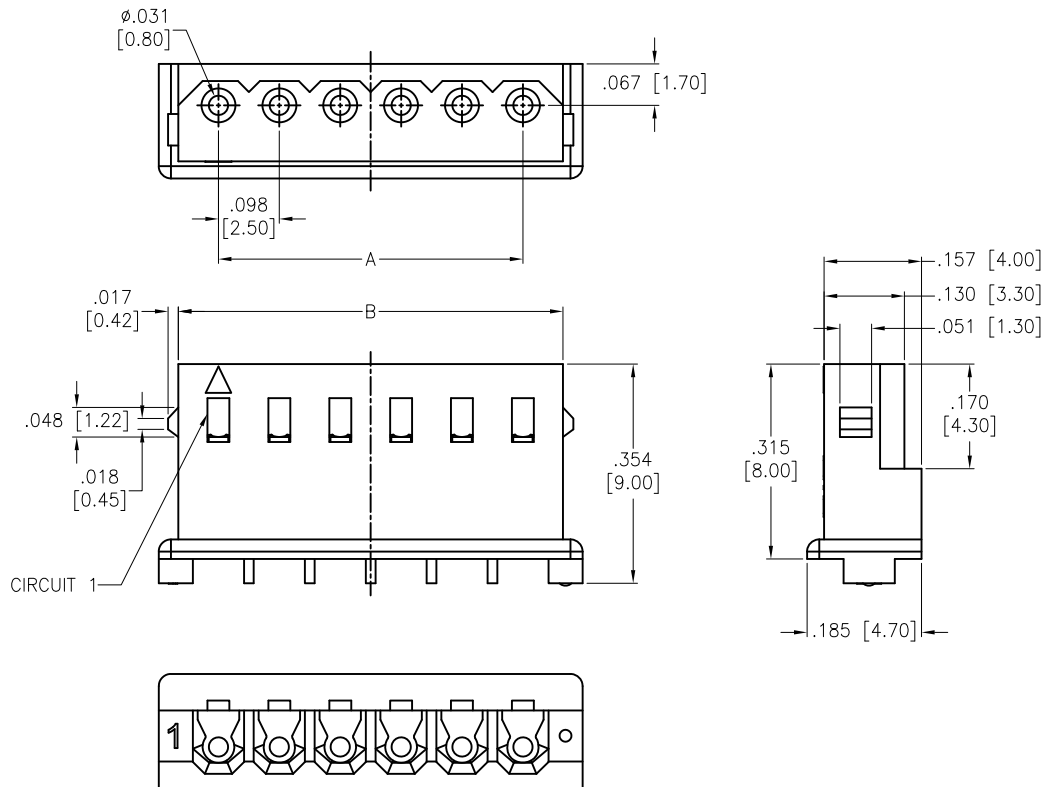
2

1

APPROVED: _____

DATE: _____ TITLE: _____

Rev	AWO #	Description	Date	Appr
-		RELEASED	1/4/19	
A		UPDATE SPEC.	11/3/20	OW/EY



D

D

C

C

B

B

SPECIFICATIONS:

Material:

Insulator: Nylon66, UL 94V-0

Insulator color: Beige

Electrical:

Voltage rating: 250 VAC/DC

Current rating: 3 A AC/DC

Contact resistance: 20 mohms max.

Insulation resistance: 1,000 Mohms min.

Dielectric withstanding voltage: 1,000V AC for 1 minute

Temperature Rating:

Temperature range: -25°C to +85°C

Environmental:

Lead free, RoHS compliant



Positions: 02 thru 16

A = .098 [2.50] x No. of Spaces

B = .098 [2.50] x No. of Spaces + .130 [3.30]

UNLESS OTHERWISE SPECIFIED ALL DIMENSIONS ARE INCHES [MM] TOLERANCES: EXCEPT AS NOTED		
INCHES HOLES		
.X ± .10	Ø.X ± .10	
.XX ± .020	Ø.XX ± .015	
.XXX ± .015	Ø.XXX ± .010	
APPROVALS		DATE
DRAWN	HR	1/4/19
CHECKED	MY	1/4/19
APPROVED		

ADAM TECH 909 Rahway Avenue,
Union, NJ 07083
Phone: 908-687-5000
Fax: 908-687-5710

TITLE
.098 [2.50] SHROUDED CRIMP TERMINAL HOUSING

SIZE X	PART NO. 25CH-E6-XX	REV. A
REF: S00186T	SCALE: NTS	SHEET 1 OF 1

A

A

6

5

4

3

2

1