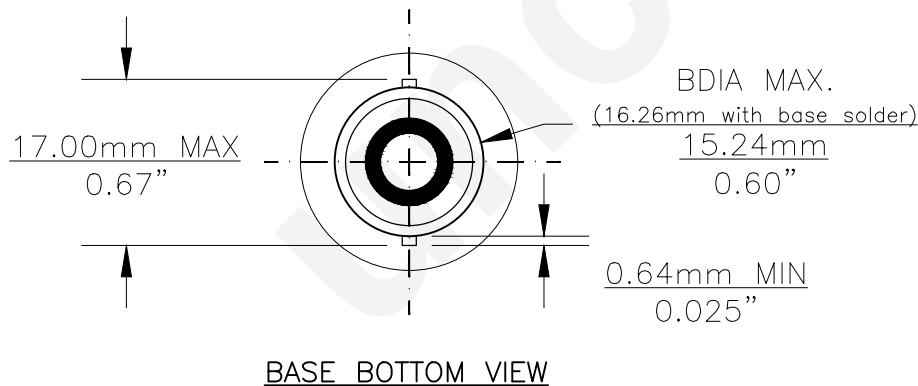
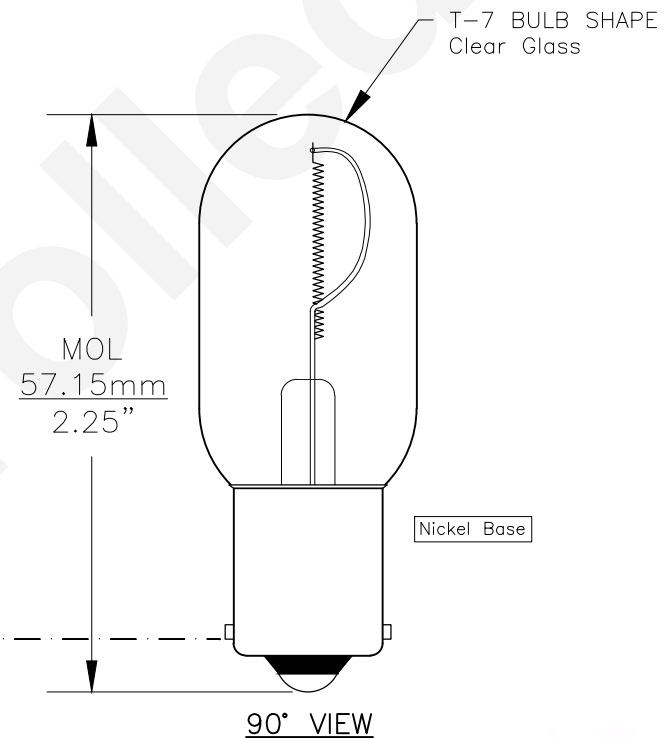
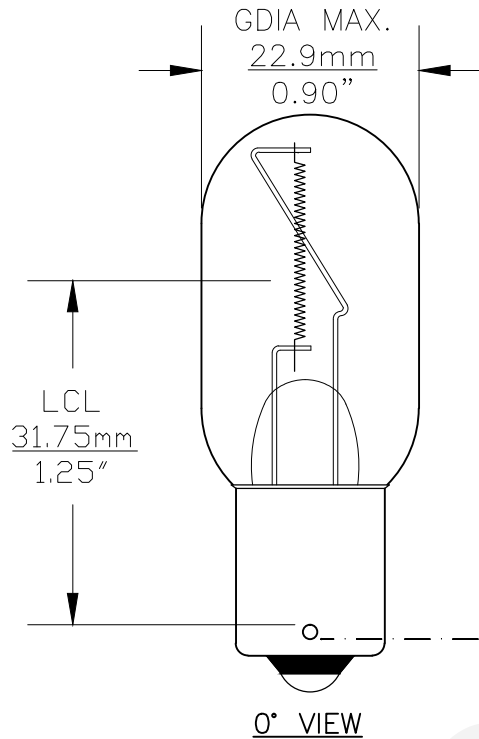




PART NO.	BASE TYPE	DESIGN VOLTS	DESIGN AMPS	MSCD	FILAMENT TYPE	AVERAGE LIFE HOURS	REVISIONS			
							REV #	DESCRIPTION	DATE	APPROVED
1940	S.C. BAYONET (BA15s)	14.0V	3.57±10%	75±20%	C-8Z	300	1	REDRAWN FOR ADDITIONAL VIEWS	11/07/2014	R.M.



Note: Made according to ECE/R37 specifications

UNLESS OTHERWISE SPECIFIED: DIMENSIONS ARE IN INCHES TOLERANCES		CEC INDUSTRIES LTD	
DECIMALS .XX ± .05	ANGULAR ± 0.5°	599 BOND STREET	LINCOLNSHIRE, IL 60069
.XXX ± .010	FRACTIONAL ± 1/64	TITLE LIGHT BULB NO. 1940	
DRAWN D. CLARK	DATE 01/06/2005	SIZE A	FSCM NO. 1940
CHECKED	DESIGN	DWG NO. 1940	REV 2
MATERIAL	SCALE	PLOT SCALE	SHEET 1 OF 1
	FILE 1940.pdf	DRAWING NOT TO SCALE	