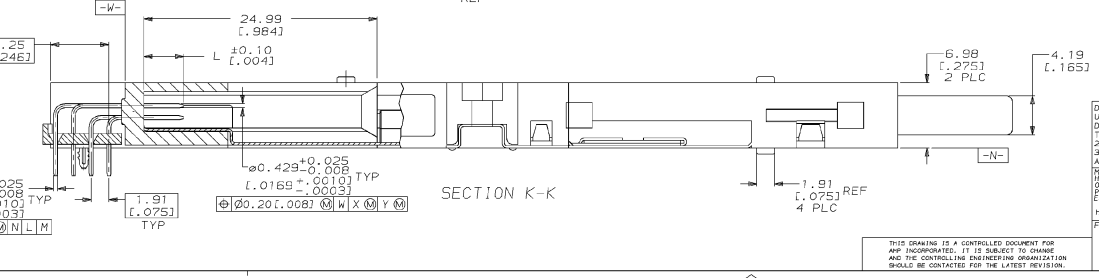
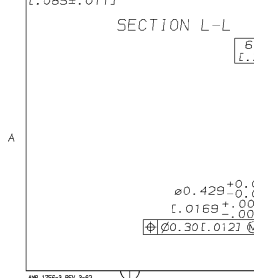
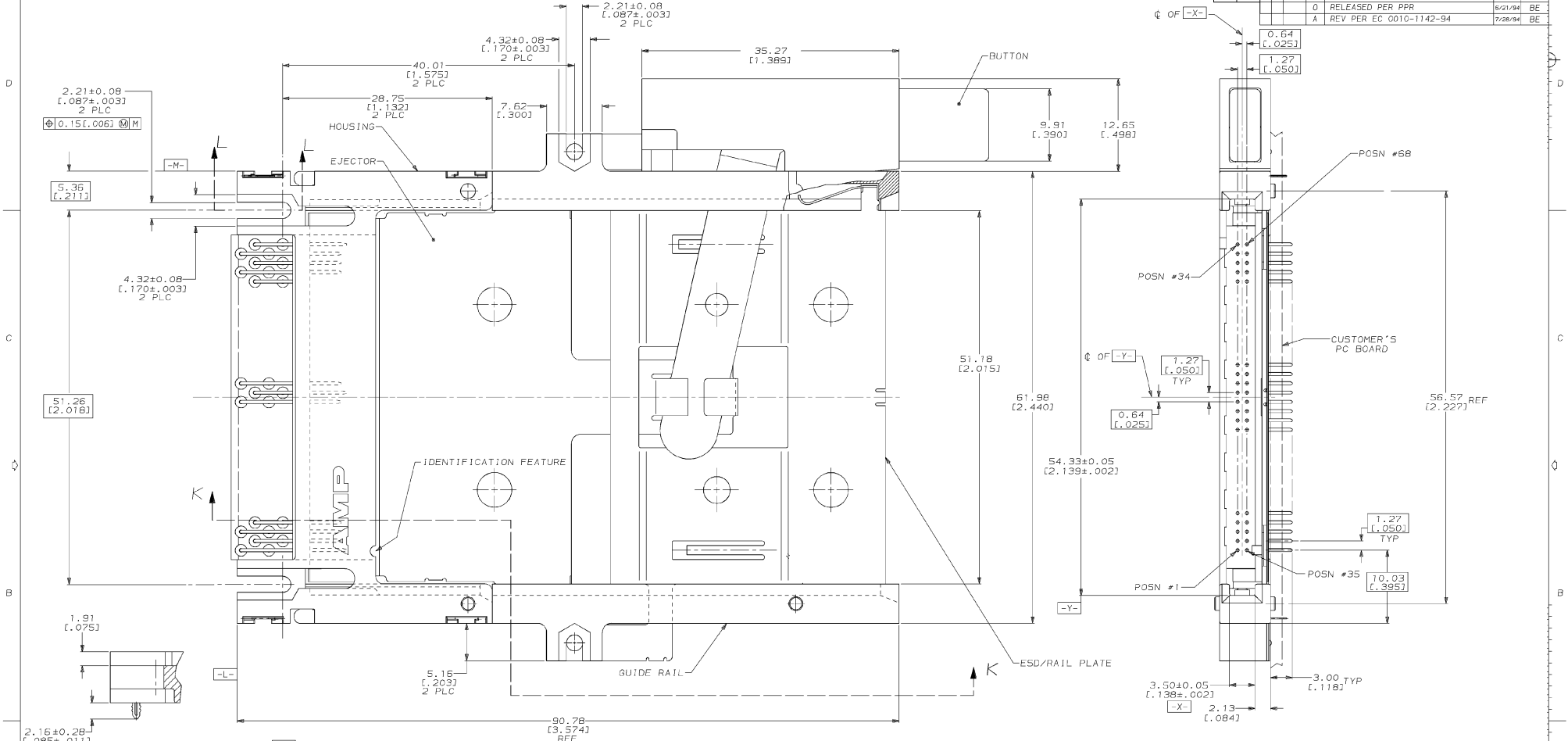


REVISIONS					
REV	DATE	BY	DESCRIPTION	DATE	APPROV
0			RELEASED PER PFR	6/21/94	BE
A			REV PER EC 0010-1142-94	7/28/94	BE

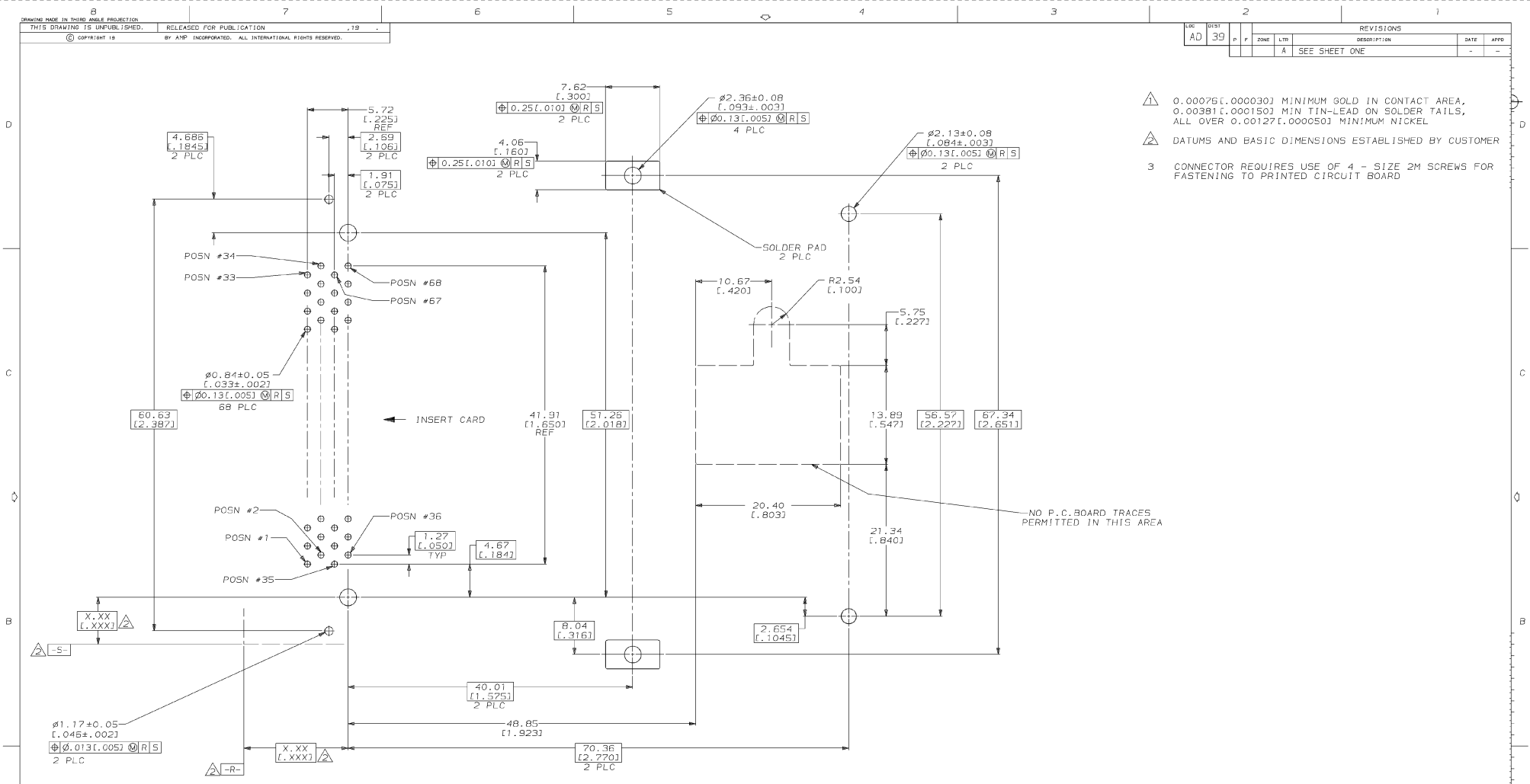


1, 17, 34	ALL	36, 67	146070-1
35, 51, 68	OTHER PINS		
5.0 [0.197]	4.25 [0.167]	3.5 [0.138]	
* L (PIN LENGTH) AND LOCATION			PART NO
DO NOT SCALE PRINT. UNLESS SPECIFIED DIMENSIONS IN mm (INCHES) TOLERANCES ON: 2 PLC DEC ± 0.13 (0.005) 3 PLC DEC ± - ANGLES ± - MATERIAL: HOUSING, BUTTCS, SHIELD, BUTTON & ORGAN: BRASS, COP, COLOR: BLACK EJECTOR RAIL PLATE & LEVER: STAINLESS STEEL HOLD-DOWN: PHOSPHOR BRONZE FINISH: HOLD-DOWNS: TIN PIN:			
DR 6/21/94	D WENTZ	AMP Incorporated Harrisburg, PA 17105-3008	
CHK 6/21/94	B ELICKER	NAME	
APPD 6/21/94	B ELICKER	CONNECTOR ASSY, PIN HEADER WITH RH EJECTOR, 68 POSN, BOTTOM BD HTG, W/HOLD-DOWNS, THRU-HOLE, AMP MEMORY CARD	
APPD 6/21/94	B ELICKER	PRODUCT SPEC	
APPLICATION SPEC		SIZE	CASE CODE
-		00779	146070
WEIGHT 24.4 GRAMS		SCALE 4:1	SHEET 1 OF 2

THIS DRAWING IS A CONTROLLED DOCUMENT FOR AMP INCORPORATED. IT IS SUBJECT TO CHANGE AND THE CONTROLLING ENGINEERING ORGANIZATION SHOULD BE CONTACTED FOR THE LATEST REVISION.

CUSTOMER DRAWING

REVIS		REVISIONS				
AD	39	ZONE	LTH	DESCRIPTION	DATE	APPD
		A		SEE SHEET ONE		



- 1 0.0025(±.000030) MINIMUM GOLD IN CONTACT AREA, 0.0038(±.000150) MIN TIN-LEAD ON SOLDER TAILS, ALL OVER 0.00127(±.000050) MINIMUM NICKEL
- 2 DATUMS AND BASIC DIMENSIONS ESTABLISHED BY CUSTOMER
- 3 CONNECTOR REQUIRES USE OF 4 - SIZE 2M SCREWS FOR FASTENING TO PRINTED CIRCUIT BOARD

RECOMMENDED BOARD LAYOUT

DO NOT SCALE PRINT. UNLESS SPECIFIED DIMENSIONS IN mm (INCHES) TOLERANCES ON + 2 PLC DEC = 0.13 (±.005) 3 PLC DEC = - ANGLES =	DR 6/21/94 D WENTZ
MATERIAL	CHK 6/21/94 B ELICKER
FINISH	APPD 6/21/94 B ELICKER
APPLICATION SPEC	PRODUCT SPEC
WEIGHT	

PART NO	
<b>AMP</b> AMP Incorporated Harrisburg, PA 17105-3608	
NAME	CONNECTOR ASSY, PIN HEADER WITH RH EJECTOR, 68 POSN, BOTTOM BD M76, THRU-HOLE, AMP MEMORY CARD
SIZE	CAGE CODE DRAWING NO
D	00779 C-146070
SCALE	4:1 SHEET 2 OF 2

THIS DRAWING IS A CONTROLLED DOCUMENT FOR AMP INCORPORATED. IT IS SUBJECT TO CHANGE AND THE CONTROLLING ENGINEERING ORGANIZATION SHOULD BE CONTACTED FOR THE LATEST REVISION.

CUSTOMER DRAWING