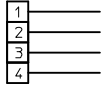
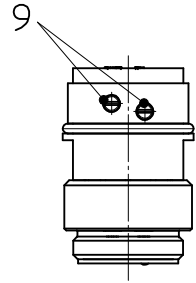
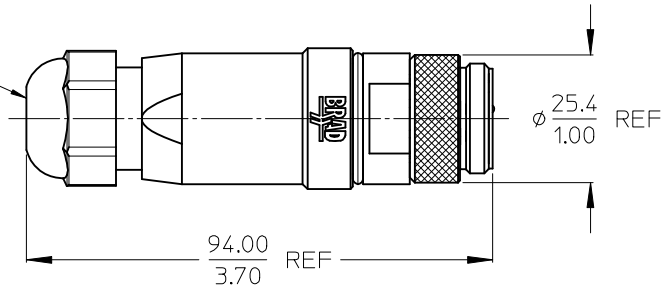


10 9 8 7 6 5 4 3 2 1

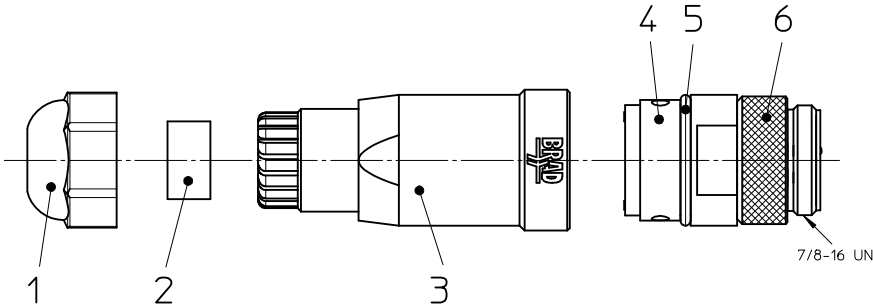
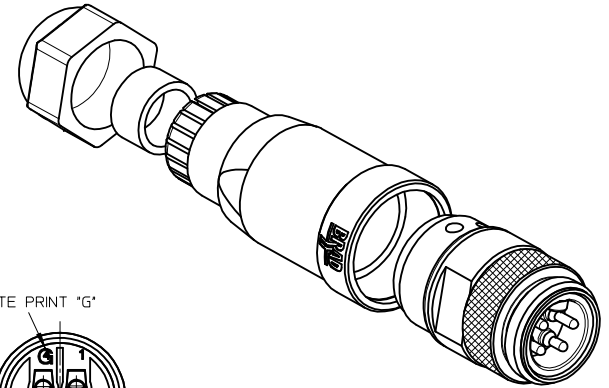
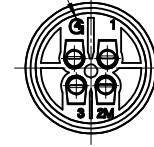
WIRING CHART



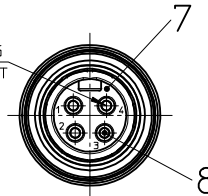
O.D. CABLE RANGE
5.0-12.0/0.20-0.48



WHITE PRINT "G"



LEADING CONTACT



MALE FACE VIEW

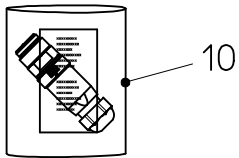
NOTES:

1. ELECTRICAL SPECIFICATIONS:

VOLTAGE RATING: 600VAC
 AMPERAGE RATING: 15 AMPS
 PROTECTION: IP67
 OPERATING TEMPERATURE: -20°C to 80°C

2. UL CERTIFICATIONS: UL LISTED AND CULUS LISTED.
 FILE NUMBER E258922

3. POLYBAG: PRINTING SEE NO.: 1300170058 1A4006-34PWR



ENG. NO.: 1A4006-34PWR

ITEM	QTY	COMPONENT	MATERIAL	FINISH
1	1	HUT NUT PG13.5	PA	BK
2	1	GASKET MO	NITRILE	BK
3	1	HOUSING FA	PA	BK
4	1	INSERT MA REAR	PA	BK
5	1	GASKET OR	NBR	BK
6	1	COUPLING NUT	BRASS	NI PLATED
7	1	INSERT MA FRONT	SANTOPRENE	BK
8	4	CONTACT MA	COPPER ALLOY	AU PLATED
9	4	SCREW M3x5	BRASS	ZN
10	1	POLYBAG 200x200x0.050	PE	-

ENTER DESCRIPTION EC NO: IPG2013-2008 DRW:RSCHIEBER 2013/07/16 CHKD:APOHL 2013/07/16 APPR:CBURGER 2013/07/16	QUALITY SYMBOLS	GENERAL TOLERANCES (UNLESS SPECIFIED)	DIMENSION STYLE	SCALE	DESIGN UNITS	THIRD ANGLE PROJECTION																	
	<p>▽=0</p> <p>∇=0</p>	<table border="1"> <tr> <th></th> <th>mm</th> <th>INCH</th> </tr> <tr> <td>4 PLACES</td> <td>± ---</td> <td>± ---</td> </tr> <tr> <td>3 PLACES</td> <td>± ---</td> <td>± .005</td> </tr> <tr> <td>2 PLACES</td> <td>± 0.13</td> <td>± .010</td> </tr> <tr> <td>1 PLACE</td> <td>± 0.25</td> <td>± .020</td> </tr> <tr> <td>0 PLACE</td> <td>± ---</td> <td>± ---</td> </tr> </table>		mm	INCH	4 PLACES	± ---	± ---	3 PLACES	± ---	± .005	2 PLACES	± 0.13	± .010	1 PLACE	± 0.25	± .020	0 PLACE	± ---	± ---	MM/IN	1:1	METRIC
	mm	INCH																					
4 PLACES	± ---	± ---																					
3 PLACES	± ---	± .005																					
2 PLACES	± 0.13	± .010																					
1 PLACE	± 0.25	± .020																					
0 PLACE	± ---	± ---																					

DRAWN BY RSCHIEBER	DATE 2013/05/22	CHECKED BY APOHL	DATE 2013/05/23	APPROVED BY CBURGER	DATE 2013/05/27

DRAWN BY RSCHIEBER		DATE 2013/05/22
CHECKED BY APOHL		DATE 2013/05/23
APPROVED BY CBURGER		DATE 2013/05/27
MATERIAL NO. 1300170058		DOCUMENT NO. SD-130017-017
SHEET NO. 1 OF 1		

TITLE FA MC 4P AC MA STR PG13.5 UNSH BK PA AU	
molex	
THIS DRAWING CONTAINS INFORMATION THAT IS PROPRIETARY TO MOLEX INCORPORATED AND SHOULD NOT BE USED WITHOUT WRITTEN PERMISSION	

9 8 7 6 5 4 3 2 1